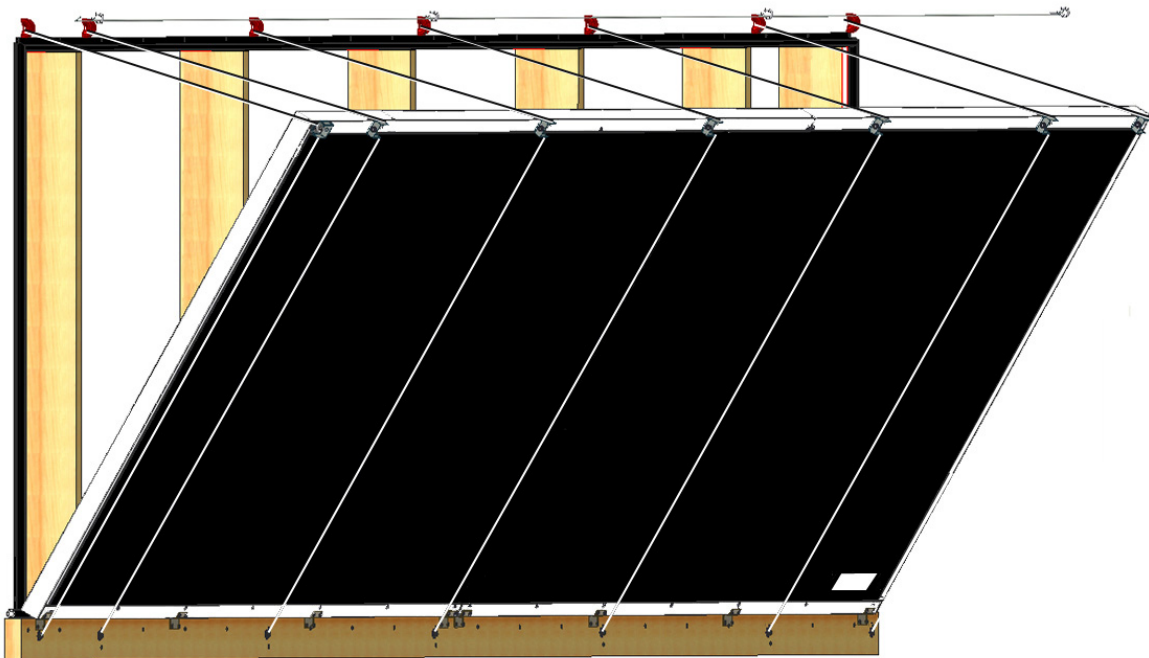


Tunnel Door (Black)

Installation Instruction Manual



Limited Warranty

Chore-Time Group, a division of CTB, Inc. (“Chore-Time”) warrants new CHORE-TIME equipment manufactured by Chore-Time to be free from defects in material or workmanship under normal usage and conditions, for One (1) year from the date of installation by the original purchaser (“Warranty”). If such a defect is determined by Chore-Time to exist within the applicable period, Chore-Time will, at its option, (a) repair the Product or Component Part free of charge, F.O.B. the factory of manufacture or (b) replace the Product or Component Part free of charge, F.O.B. the factory of manufacture. This Warranty is not transferable, and applies only to the original purchaser of the Product.

CONDITIONS AND LIMITATIONS

THIS WARRANTY CONSTITUTES CHORE-TIME’S ENTIRE AND SOLE WARRANTY AND CHORE-TIME EXPRESSLY DISCLAIMS ANY AND ALL OTHER WARRANTIES, INCLUDING, BUT NOT LIMITED TO, EXPRESS AND IMPLIED WARRANTIES, INCLUDING, WITHOUT LIMITATION, WARRANTIES AS TO MERCHANTABILITY OR FITNESS FOR PARTICULAR PURPOSES. CHORE-TIME shall not be liable for any direct, indirect, incidental, consequential or special damages which any purchaser may suffer or claim to suffer as a result of any defect in the Product. Consequential or Special Damages as used herein include, but are not limited to, lost or damaged products or goods, costs of transportation, lost sales, lost orders, lost income, increased overhead, labor and incidental costs, and operational inefficiencies. *Some jurisdictions prohibit limitations on implied warranties and/or the exclusion or limitation of such damages, so these limitations and exclusions may not apply to you. This warranty gives the original purchaser specific legal rights. You may also have other rights based upon your specific jurisdiction.*

Compliance with federal, state and local rules which apply to the location, installation and use of the Product are the responsibility of the original purchaser, and CHORE-TIME shall not be liable for any damages which may result from non-compliance with such rules.

The following circumstances shall render this Warranty void:

- Modifications made to the Product not specifically delineated in the Product manual.
- Product not installed and/or operated in accordance with the instructions published by the CHORE-TIME.
- All components of the Product are not original equipment supplied by CHORE-TIME.
- Product was not purchased from and/or installed by a CHORE-TIME authorized distributor or certified representative.
- Product experienced malfunction or failure resulting from misuse, abuse, mismanagement, negligence, alteration, accident, or lack of proper maintenance, or from lightning strikes, electrical power surges or interruption of electricity.
- Product experienced corrosion, material deterioration and/or equipment malfunction caused by or consistent with the application of chemicals, minerals, sediments or other foreign elements.
- Product was used for any purpose other than for the care of poultry and livestock.

The Warranty and Extended Warranty may only be modified in writing by an officer of CHORE-TIME. CHORE-TIME shall have no obligation or responsibility for any representations or warranties made by or on behalf of any distributor, dealer, agent or certified representative.

Effective: **April, 2014**

Contents

Topic	Page
Limited Warranty	2
General	4
Support Information.....	4
Safety Information	4
DANGER: Electrical Hazard.....	4
Tools Needed	4
Installation Planning	5
Framed Opening.....	5
Installation	6
Top and Bottom Chalklines and 2 x 4 Door Support.....	6
Seal Installation.....	7
Rope Guides.....	8
Door Installation (5' x 10' Unassembled) Skip to next page for assembled Doors.....	9
Door Installation.....	10
Adding Door Sections.....	11
Installation of Split Bolts for Rope/Cable Attachments.....	12
Cable Tensioner and Cable Installation (Cable Version Only).....	13
Installing Remaining Door Sections.....	14
Last Door Section (Continued).....	15
Winch Installation.....	16
Door Suspension Installation.....	17
Installing Counter Weight / Extension Spring.....	18
Rope Attachment.....	19
Cable Attachment.....	20
Final Door Adjustment.....	21
4' and 5' Tall Door Sections	22
Part Numbers for 4' and 5' Tall Door Sections	23
Part Numbers for Individual Door Assemblies	24

General

Support Information

The Chore-Time Tunnel Door is to be used to control the airflow in a Tunnel Ventilated poultry house. Using this equipment for any other purpose or in a way not within the operating recommendations specified in this manual will void the warranty and may cause personal injury.

This manual is designed to provide comprehensive planning, installation, safety, operation, and parts listing information. The Table of Contents provides a convenient overview of the information in this manual. The Table of Contents also specifies which pages contain information for the sales personnel, installer, and consumer (end user).

Safety Information

Caution, Warning and Danger Decals have been placed on the equipment to warn of potentially dangerous situations. Care should be taken to keep this information intact and easy to read at all times. Replace missing or damaged safety decals immediately.

Using the equipment for purposes other than specified in this manual may cause personal injury and/or damage to the equipment.

DANGER: Electrical Hazard

Disconnect electrical power before inspecting or servicing equipment. Ground all electrical equipment for safety. All electrical wiring must be done by a qualified electrician in accordance with local and national electric codes. Ground all non-current carrying metal parts to guard against electrical shock. With the exception of motor overload protection, electrical disconnects and over current protection are not supplied with the equipment.



Tools Needed

- Tape Measurer
- Chalkline
- Electric Drill
 - Square Driver Bit
 - 3/8" Hex Socket
 - Screwhook Driver Bit
 - 1/2" [1.3cm] Drill Bit (For Doors with Rope Suspension)
- Hammer
- Knife
- Tin Snips

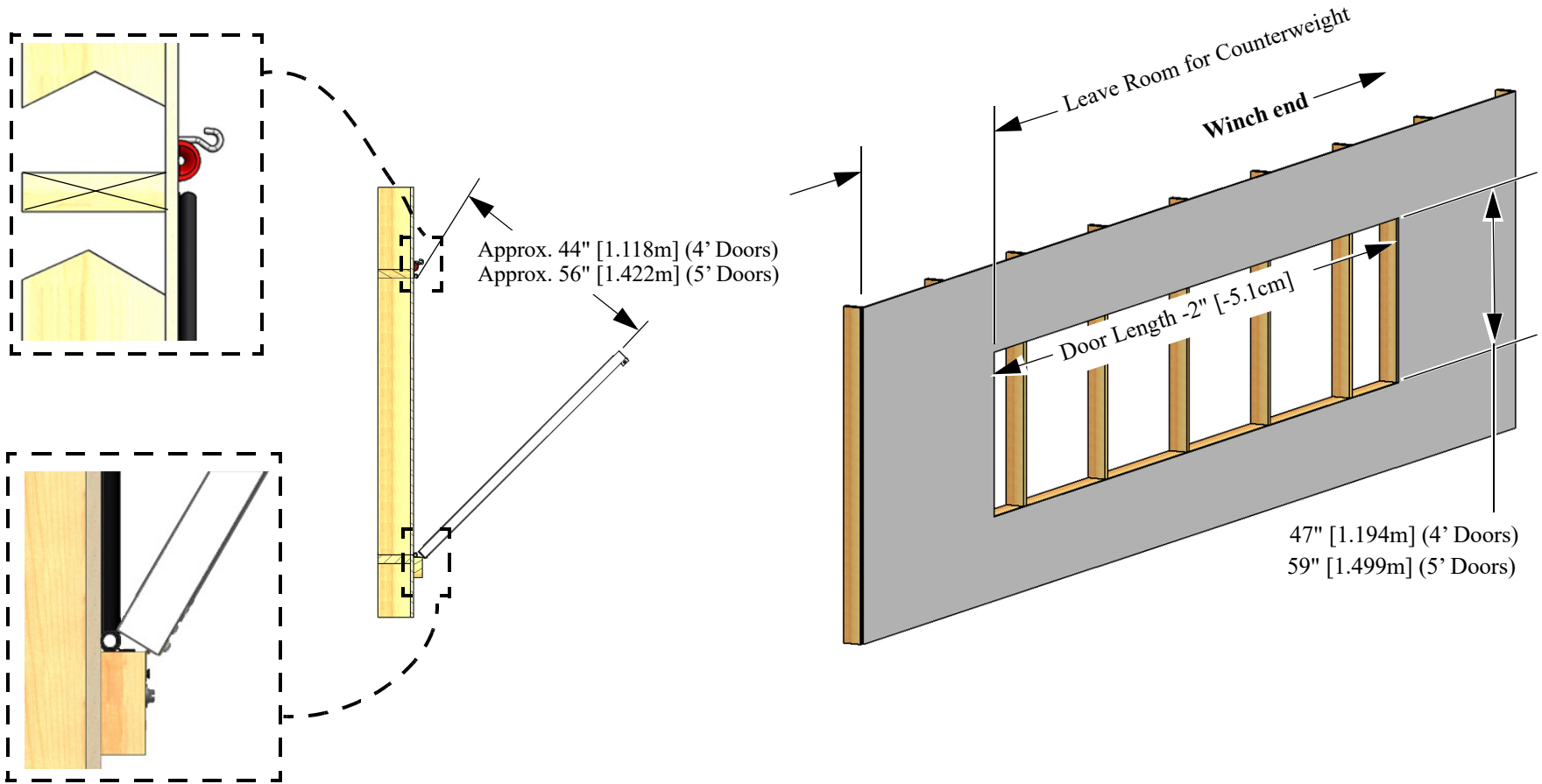
Installation Planning

Framed Opening

Winch Capacity- approximately 15 lbs/ft [6.8 Kg/30.5cm] of Door length

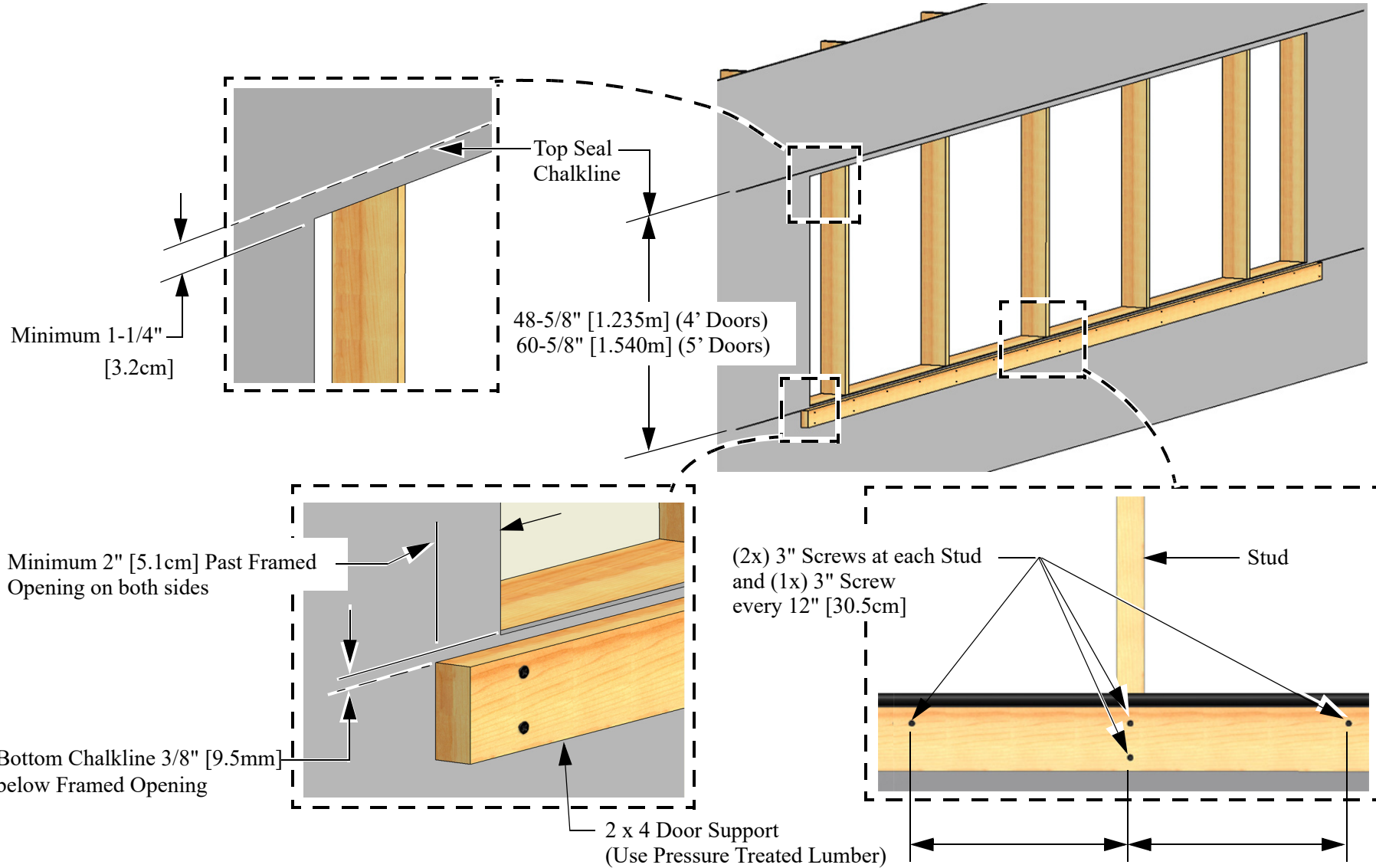
Wall should be flat within 1/8" per 4' [3.2mm per 1.219m] to ensure a good seal around the Doors

Note: Tunnel Doors should be shaded from direct sun light to avoid damage!



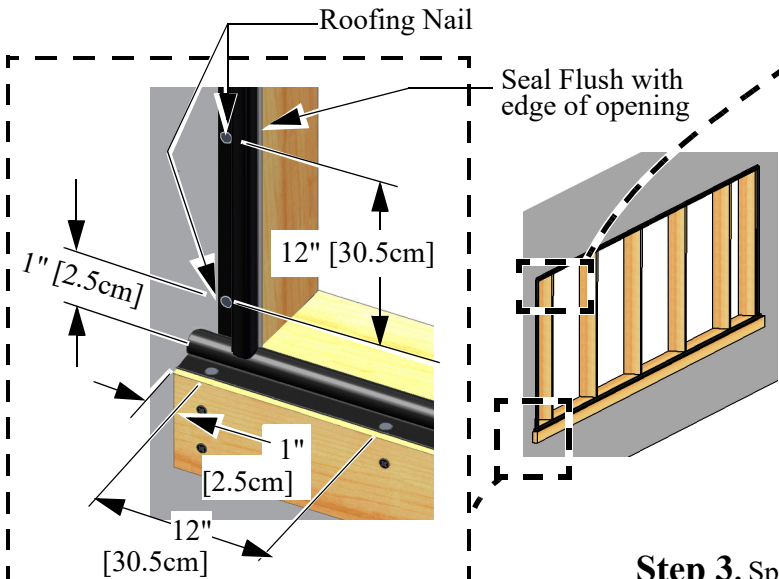
Installation

Top and Bottom Chalklines and 2 x 4 Door Support

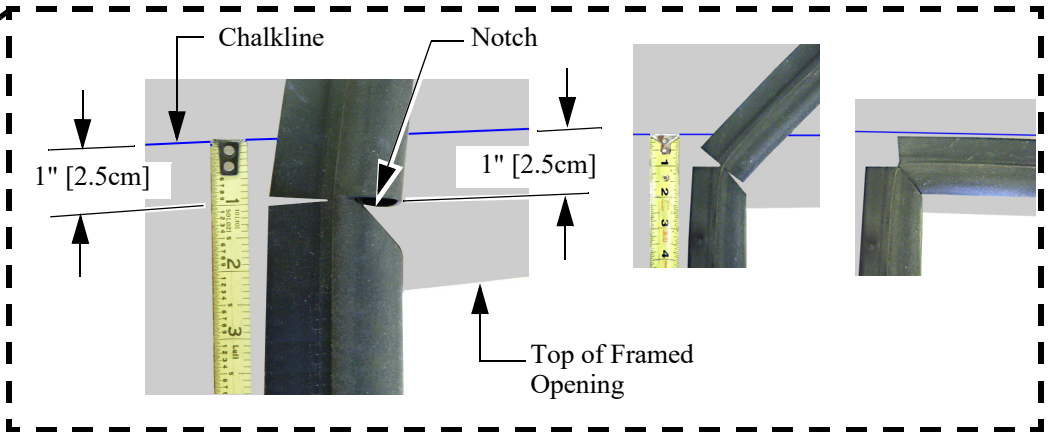


Seal Installation

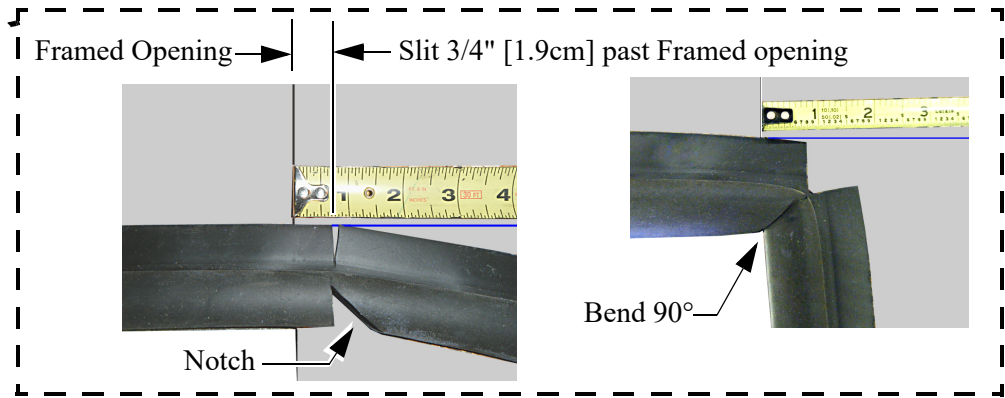
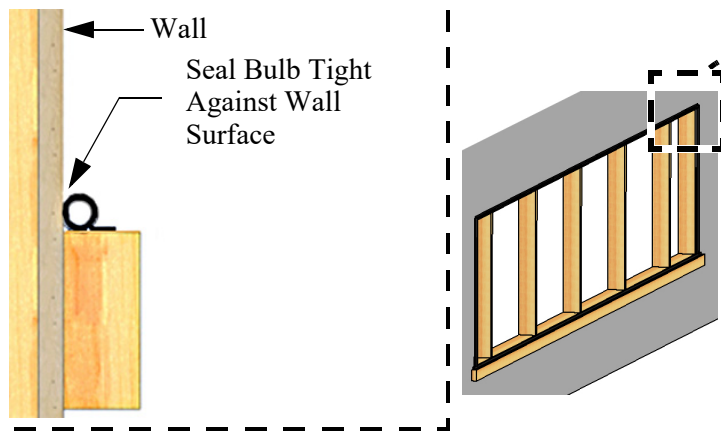
Step 1. Black Seal- Attach Black Seal across the bottom of the Framed opening with Roofing Nails. Space Nails 12" [30.5cm] apart, except 1" [2.5cm] at the ends (See below).



Step 2. Attach one continuous piece of Black Seal to the Sides and Top of the opening. Start attaching seal at a bottom corner of the framed opening with Nails 12" [30.5cm] apart and 1" [2.5cm] at the end. Make a Slit and a Notch in the Seal to allow for bending 90° at the 1st Corner (as shown below).



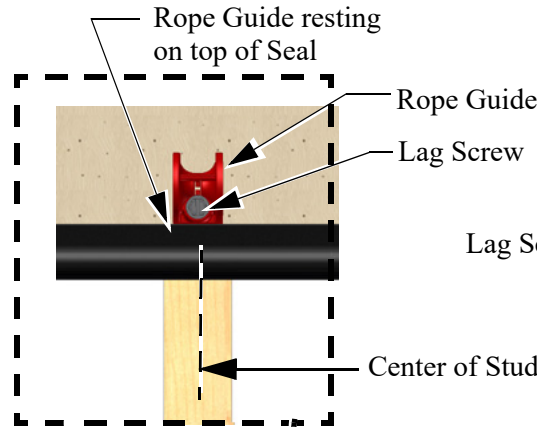
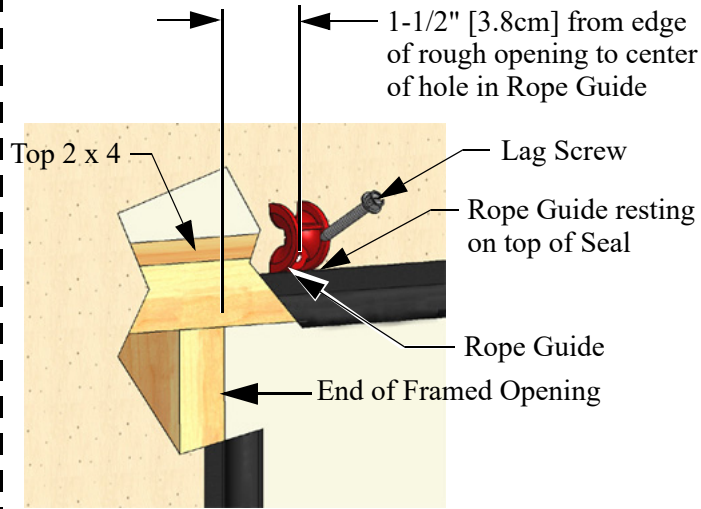
Step 3. Split the Seal 3/4" [1.9cm] past the Framed opening at the second corner as shown below.



Rope Guides

Counter weight End

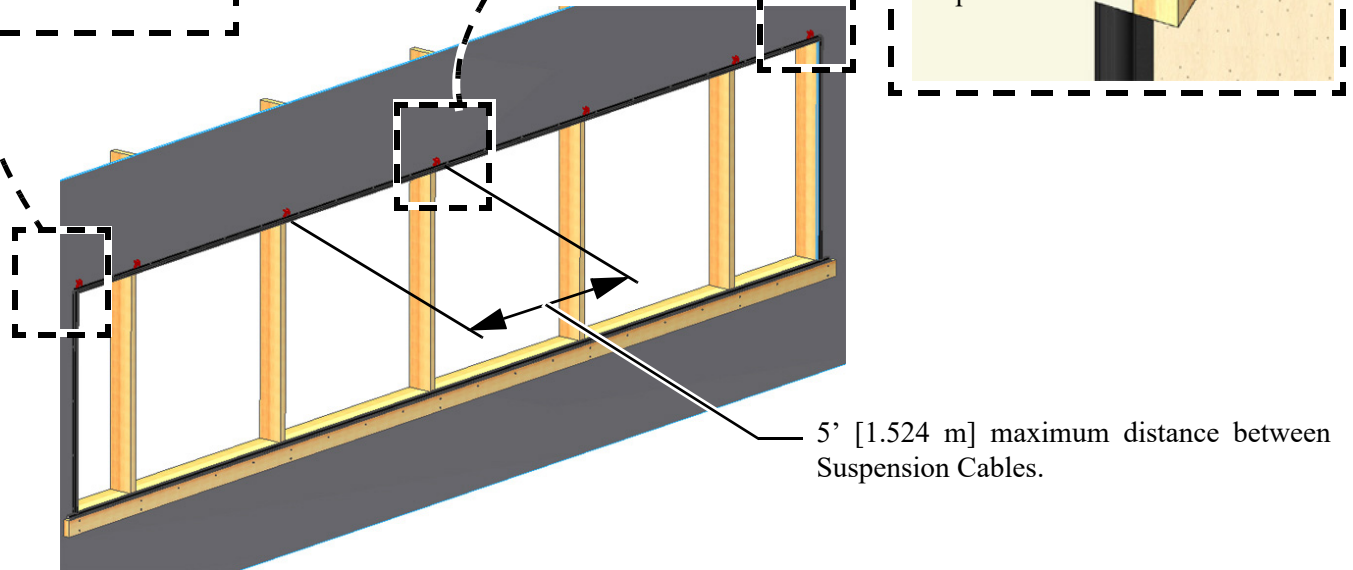
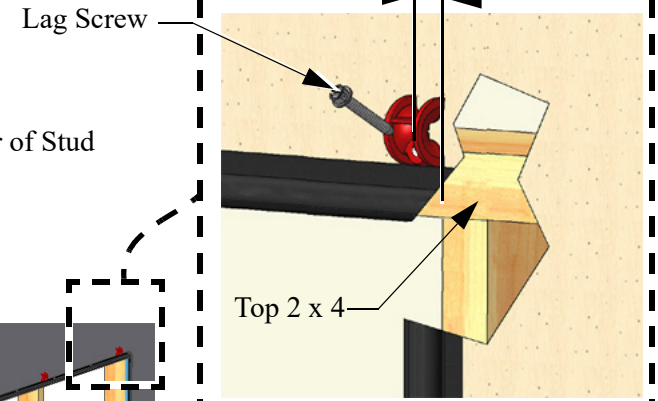
At the End of the Doors Angle the 1/4 x 1-3/4 Lag Screw down into the Top 2x4 as shown.



Winch End

At the End of the Doors Angle the 1/4 x 1-3/4" Lag Screw down into the Top 2x4.

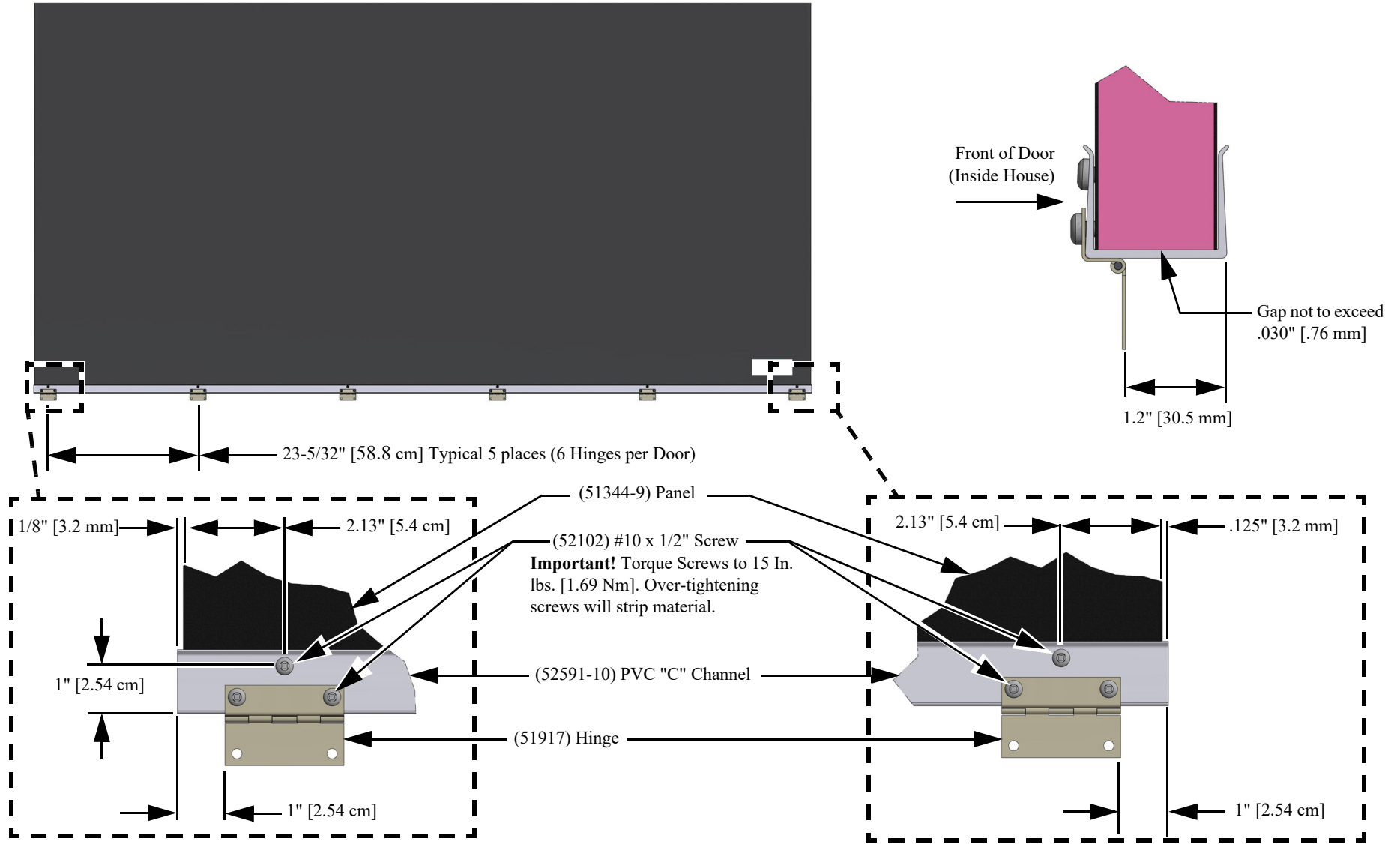
1/4" [6.4mm] from Rough Opening to center of hole in Rope Guide.



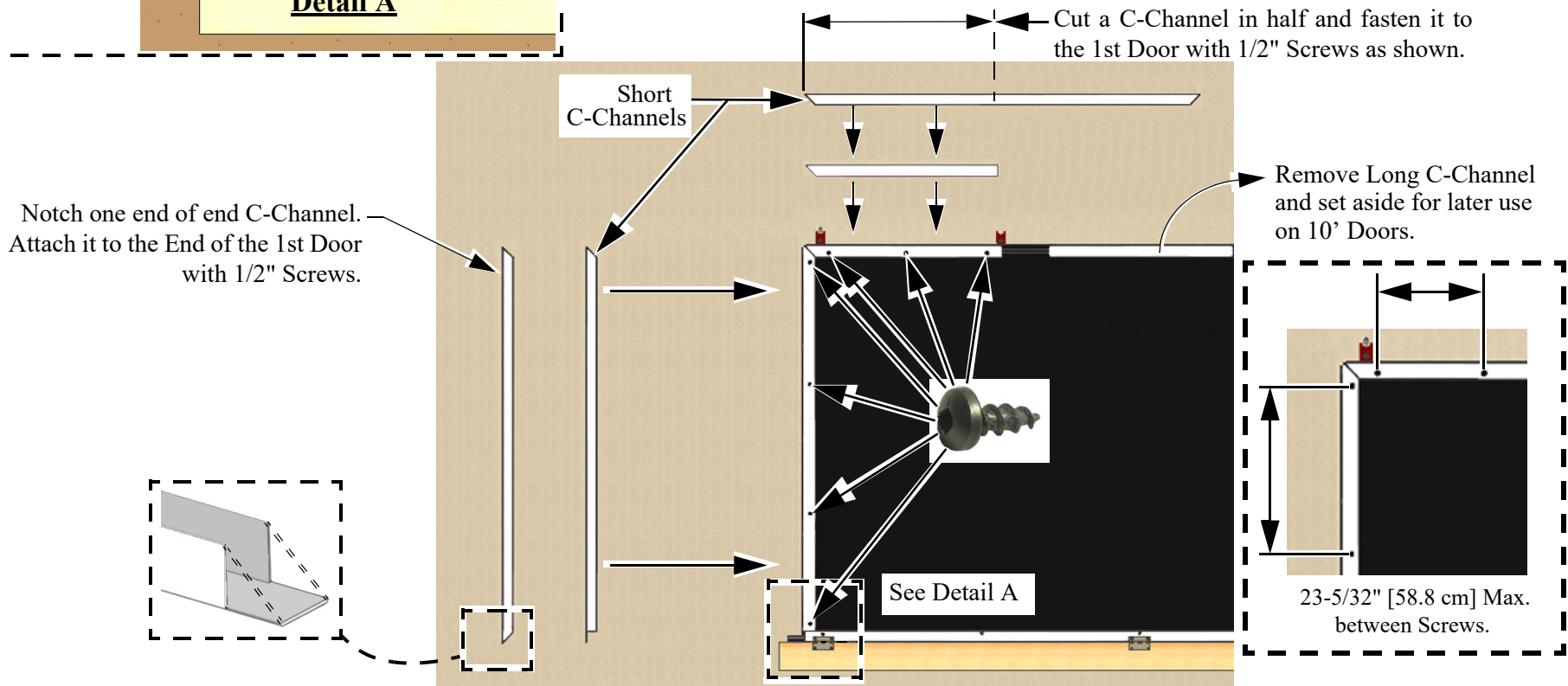
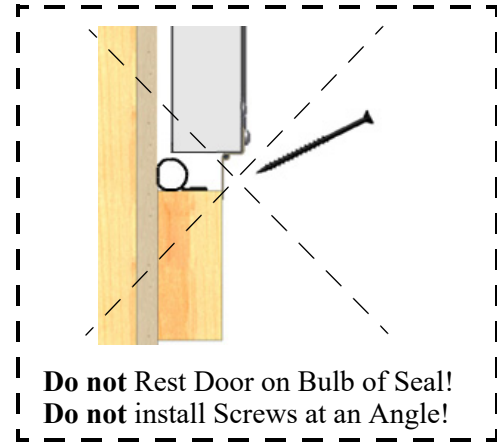
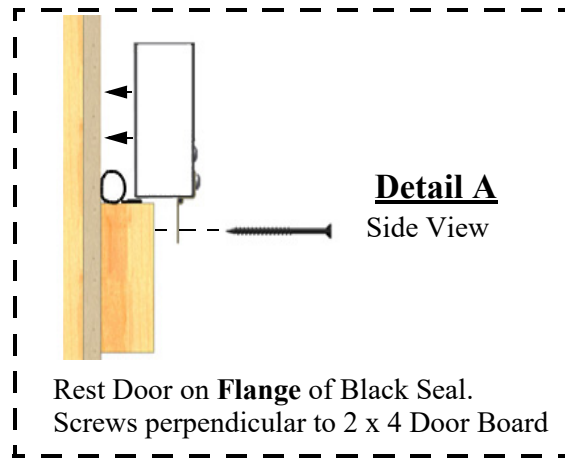
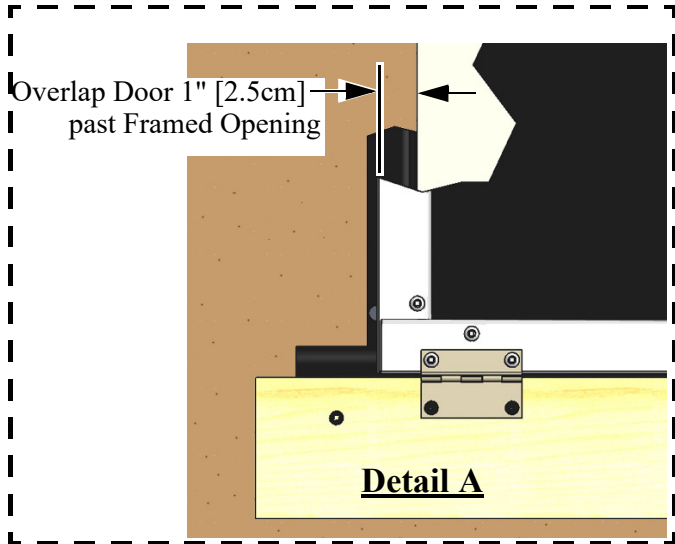
Door Installation (5' x 10' Unassembled) Skip to next page for assembled Doors

Install 6 Hinges per Door as shown below. Once hinges are installed, continue to next page to see how to install C-Channels.

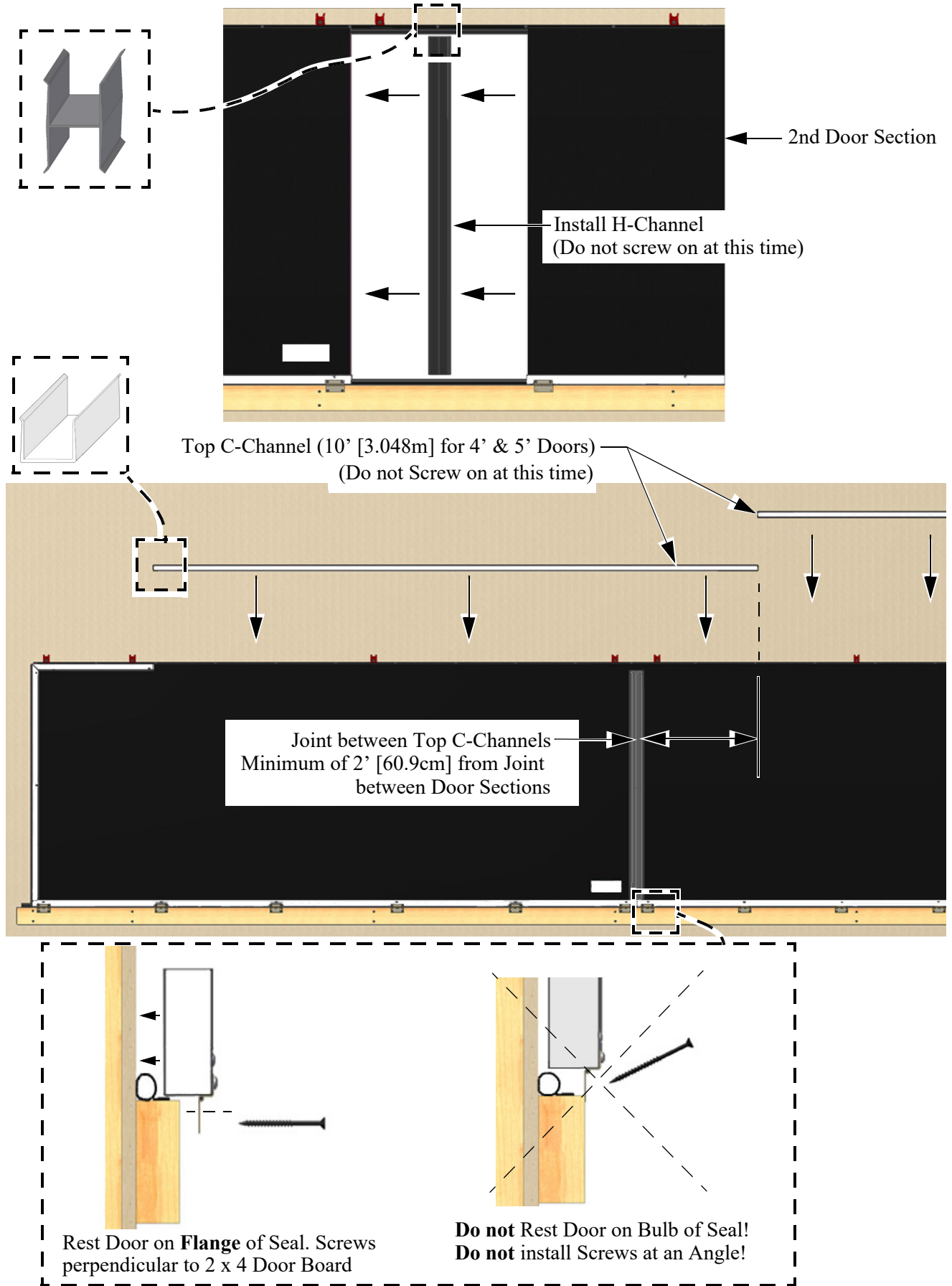
Important! Do not over tighten Screws when fastening Hinges. Torque only to 15 In./lbs. [1.69 Nm].



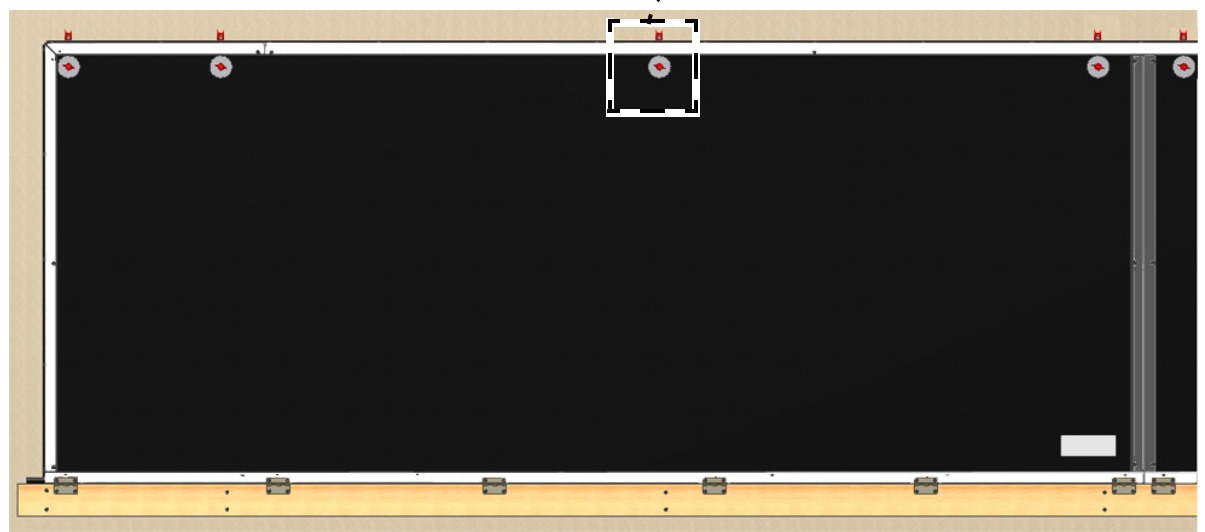
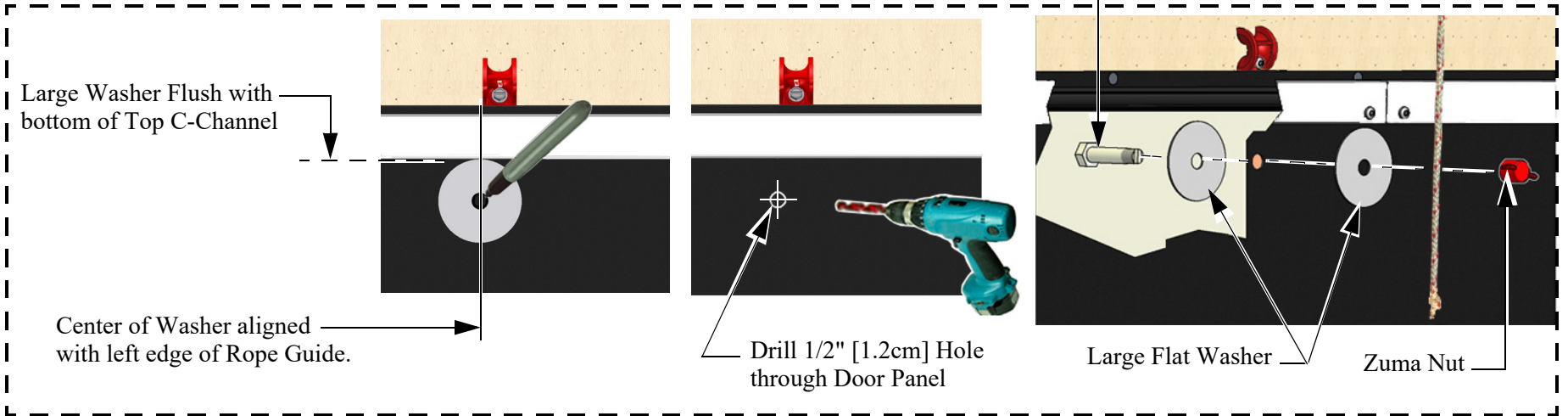
10 Door Installation



Adding Door Sections



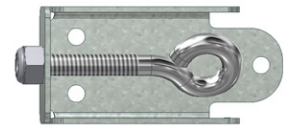
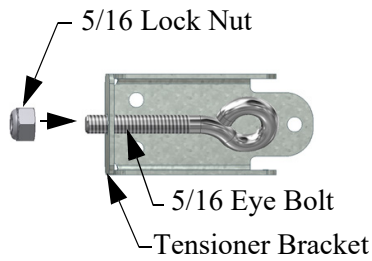
Installation of Split Bolts for Rope/Cable Attachments



Cut Rope to length...
 4' Doors= 60" [1.524m] of Rope
 5' Doors= 72" [1.829m] of Rope
 Tie off Doors at least every 30' [9.144m] while assembly is in process.



Cable Tensioner and Cable Installation (Cable Version Only)

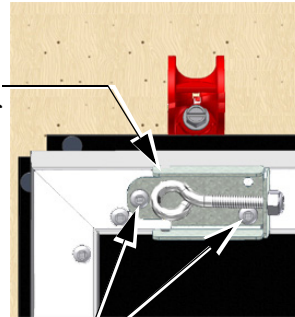


Tighten Nut flush with end of Eye Bolt

Step 1

Door Ends

Notch in Tensioner lined up with edge of Rope Guide. Top of Tensioner Flush with Top of Top Channel.

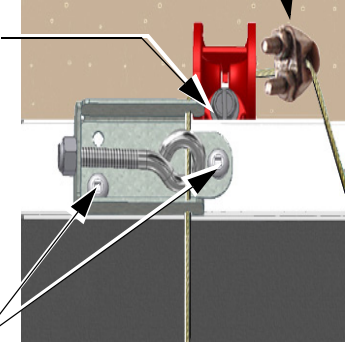


(2x) #10 x 1/2" Screw

Step 2

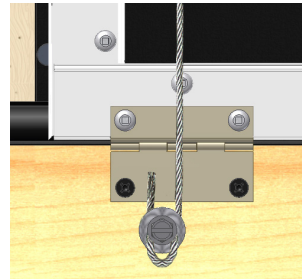
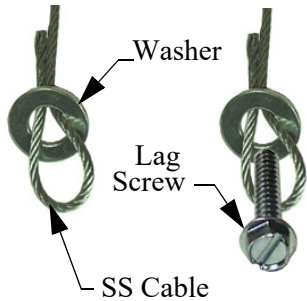
Use a Cable Clamp every 30' [9.144m] to hold up the Doors during assembly.

Thread the SS Cable through the notches in the Tensioner, through the Eye Bolt, and through the Rope Guide.



(2x) #10 x 1/2" Screw

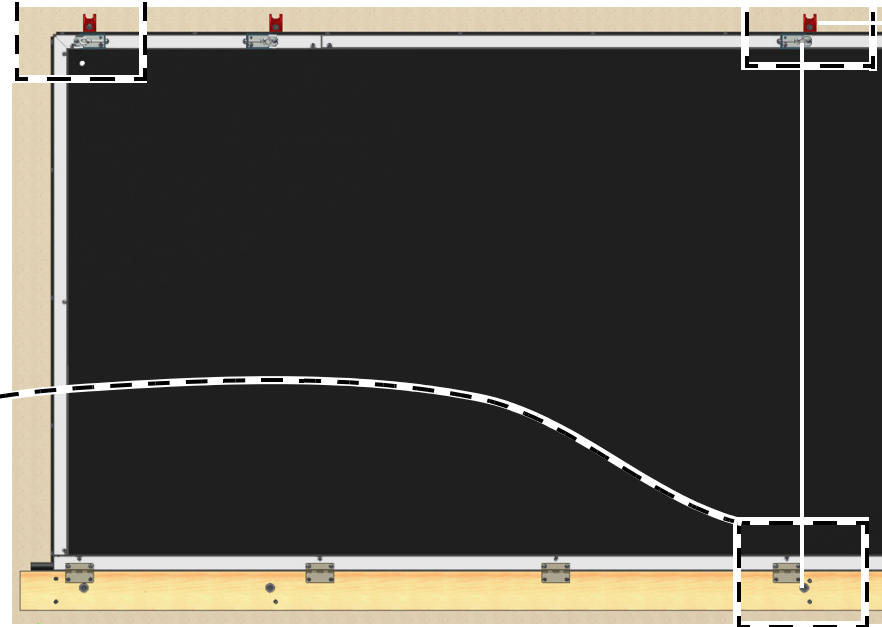
Step 4



Attach a Cable to the 2 x 4 Door Support with a Lag Screw as shown directly below the notch in each Rope Guide. SS Cable Length as follows:
4' Doors = 9' [2.743m] SS Cable
5' Doors = 10' [3.048m] SS Cable

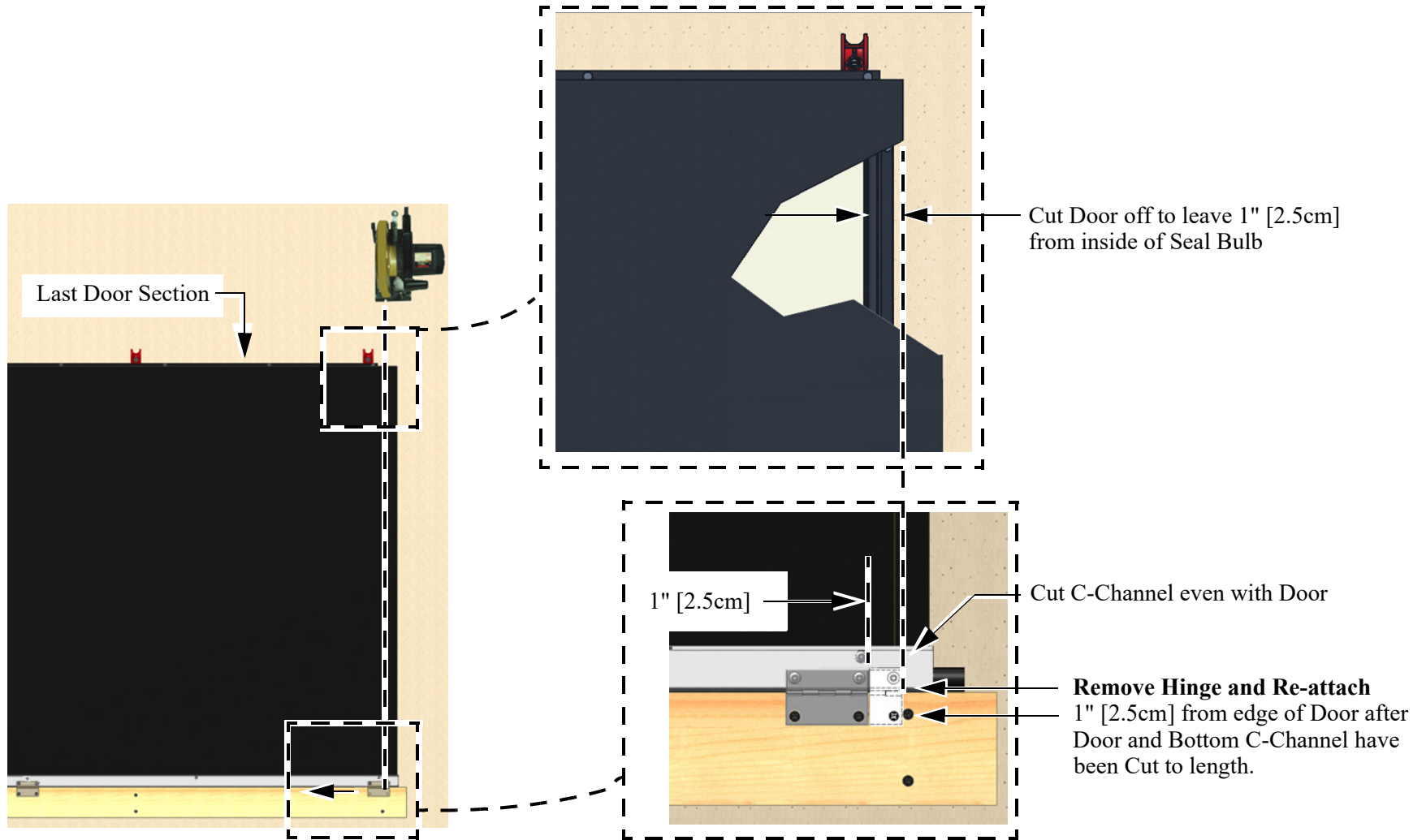
Step 3

Winch End →



Installing Remaining Door Sections

Step 1. Cut the last Door and Bottom C-Channel off 1" [2.5cm] past the Black Seal Bulb. **Remove the last Hinge and Re-attach it as shown** if necessary.

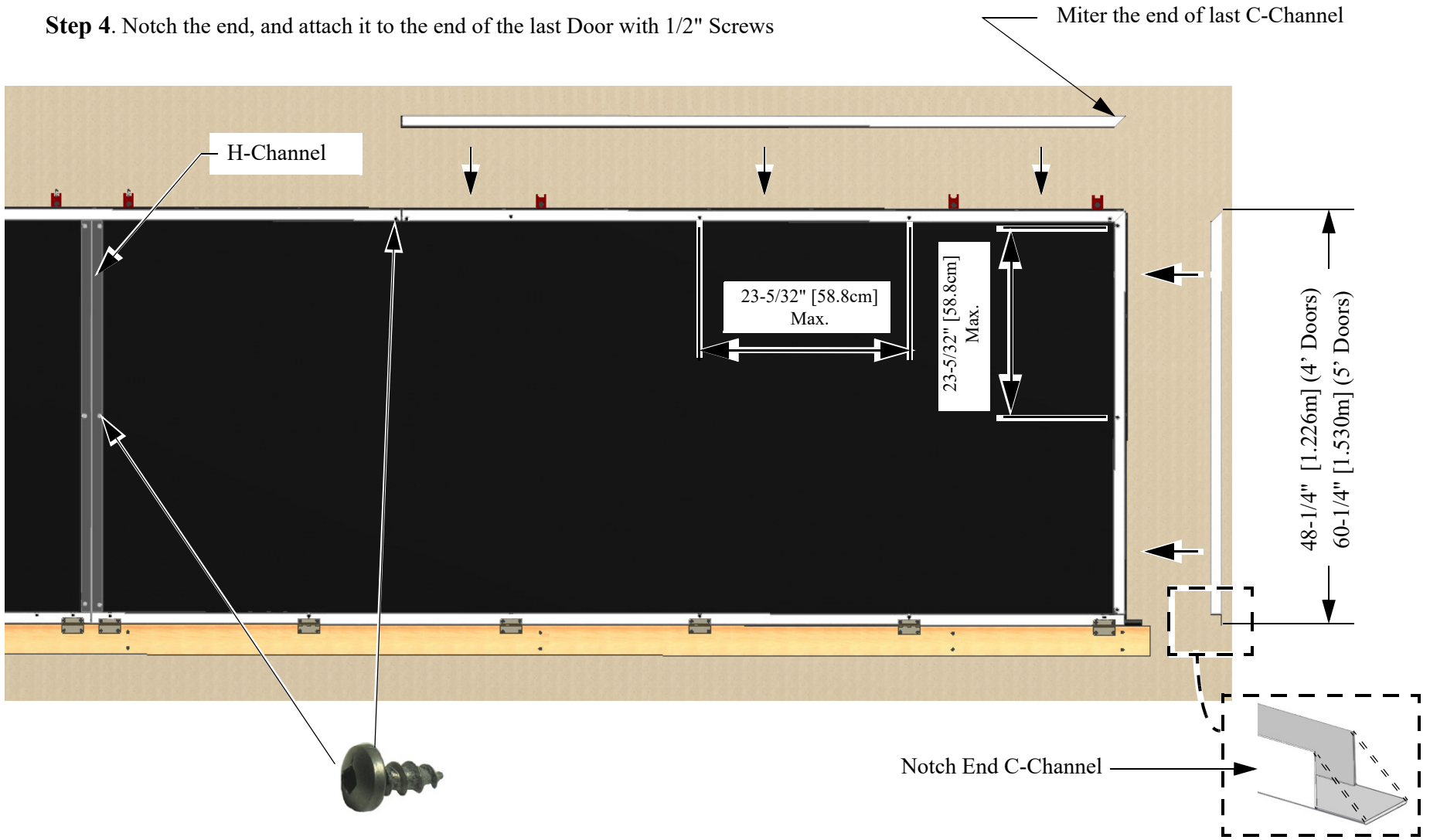


Last Door Section (Continued)

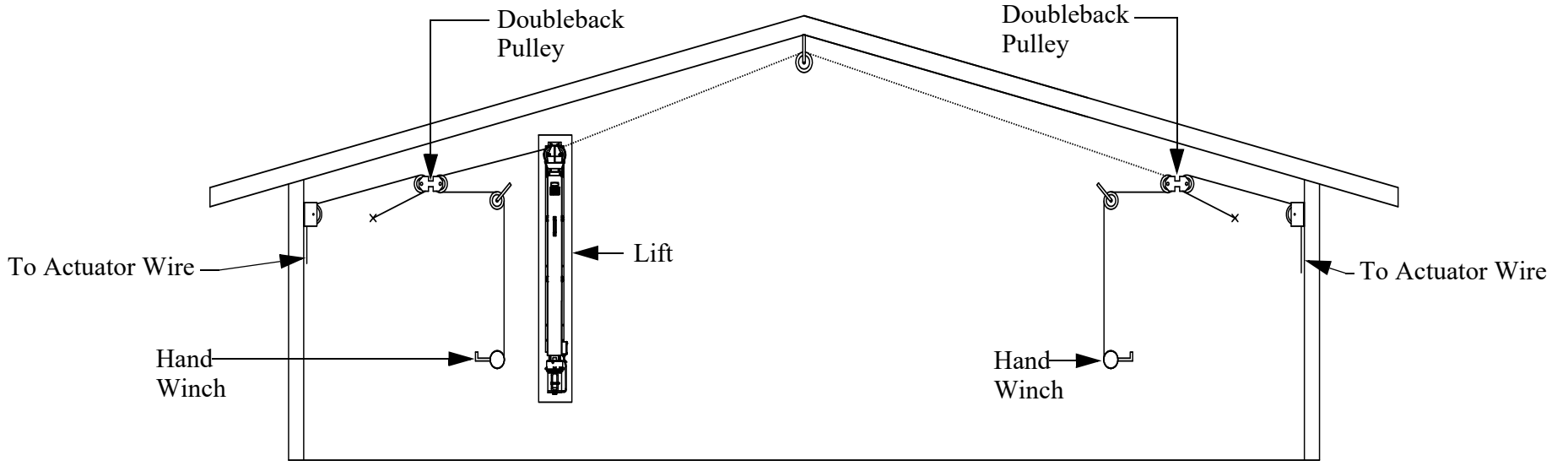
Step 2. Attach all of the Top C-Channels and H-Channels with (52102) 1/2" Screws **as shown**. Maximum distance between Screws is 23-5/32" [58.8 cm].

Step 3. Miter and Attach the last Top C-Channel with 1/2" Screws.

Step 4. Notch the end, and attach it to the end of the last Door with 1/2" Screws



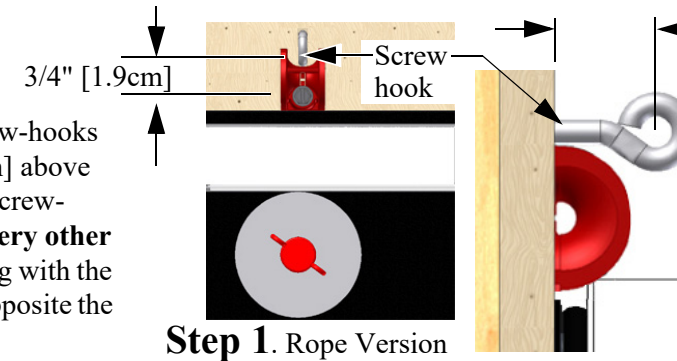
Winch Installation



End Wall View

Door Suspension Installation

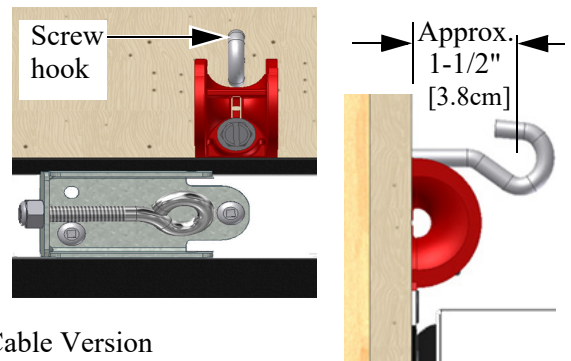
Install Screw-hooks 3/4" [1.9cm] above the lower Screw-hooks at **every other** drop starting with the 2nd drop opposite the Winch.



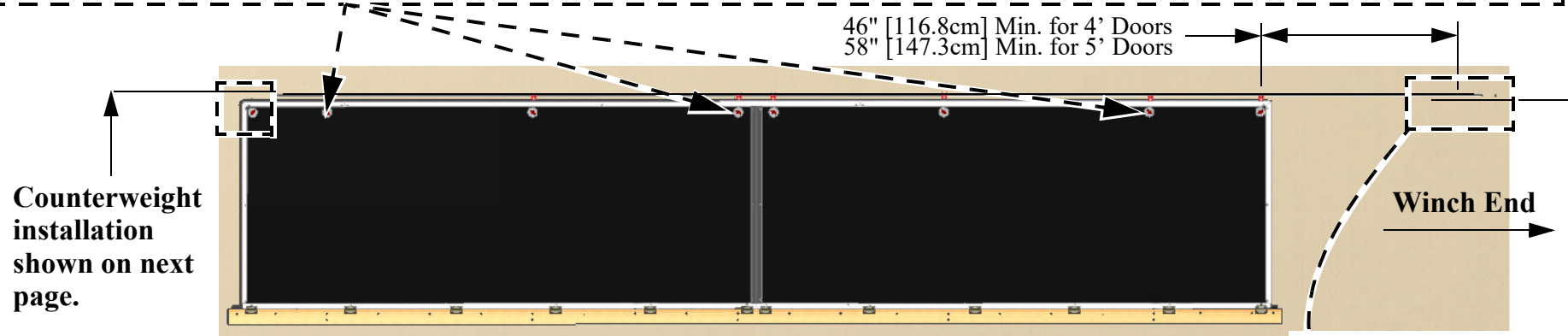
Step 1. Rope Version

Approx. 1-1/2" [3.8cm]

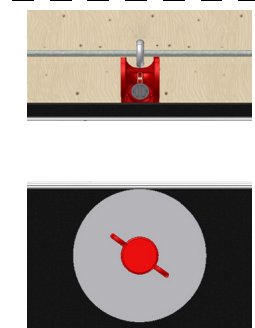
Install Screw-hooks flush with the top of the Rope Guides at every other drop starting with the 2nd drop opposite the Winch end.



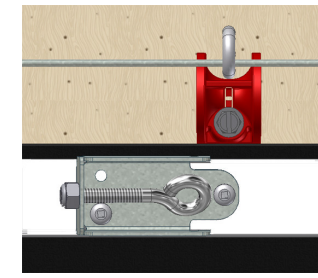
Step 1. Cable Version



String Actuator Wire through the Eyehooks from one end of the System to the other. At the Winch End extend the Wire past the edge of the Door



Rope Version.



Cable Version

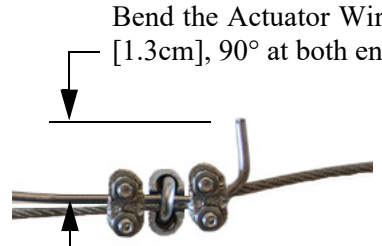
Step 2.



Squeeze the Screw-hooks closed.

Step 3.

Bend the Actuator Wire 1/2" [1.3cm], 90° at both ends

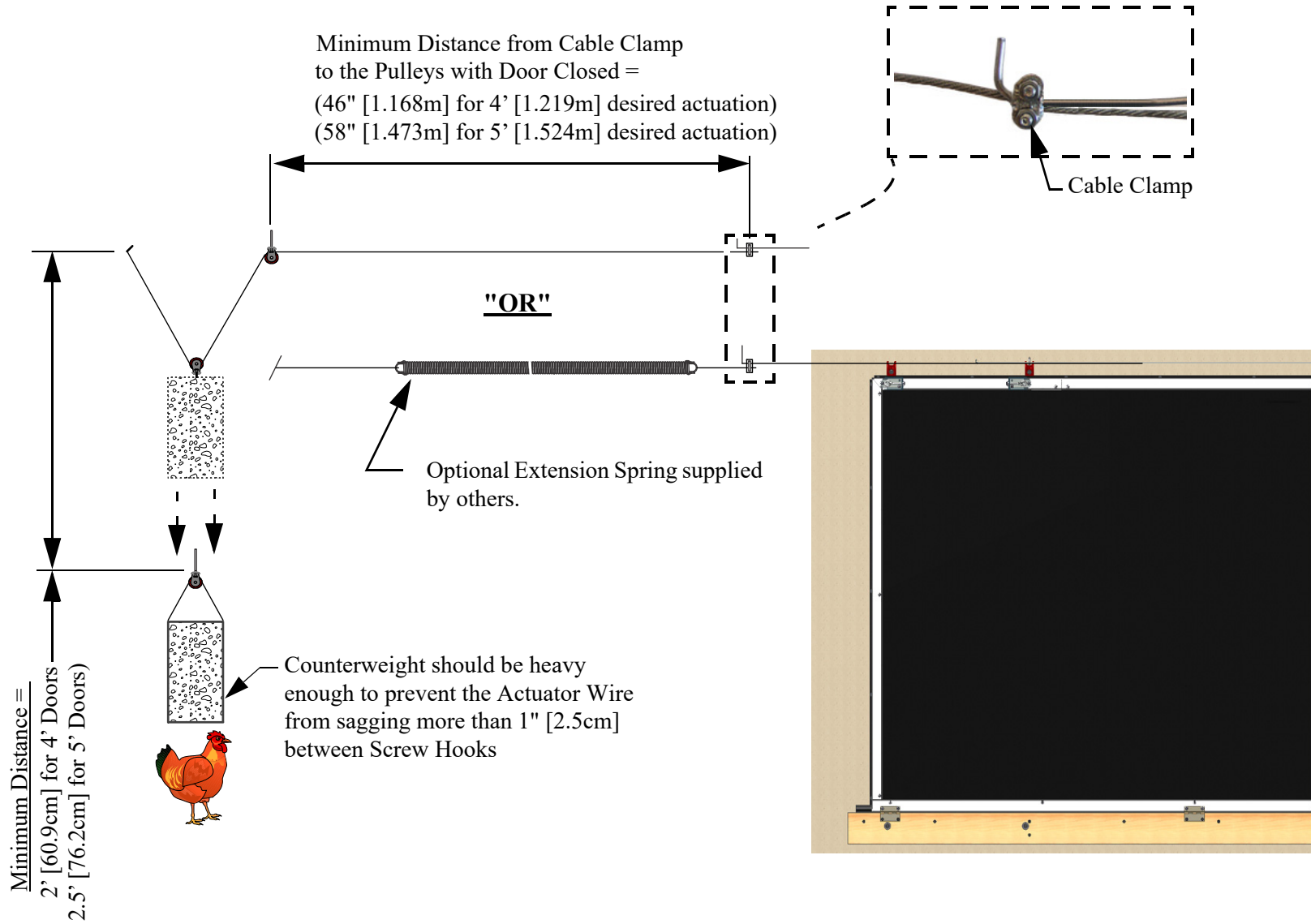


Attach Main Cable to the Actuator Wire with Three Cable Clamps alternated 180° as shown

Step 4.

Installing Counter Weight / Extension Spring

A Counter Weight or an Extension Spring may be used. Extension Spring is not supplied.



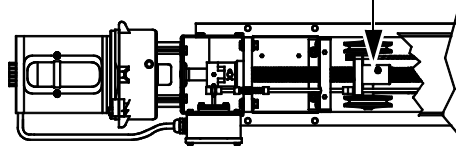
Rope Attachment

Step 1. Use the Hand Winch to pre-stretch the Main Cable before installing Rope drops.

Step 2. Run Lift to the fully closed position.

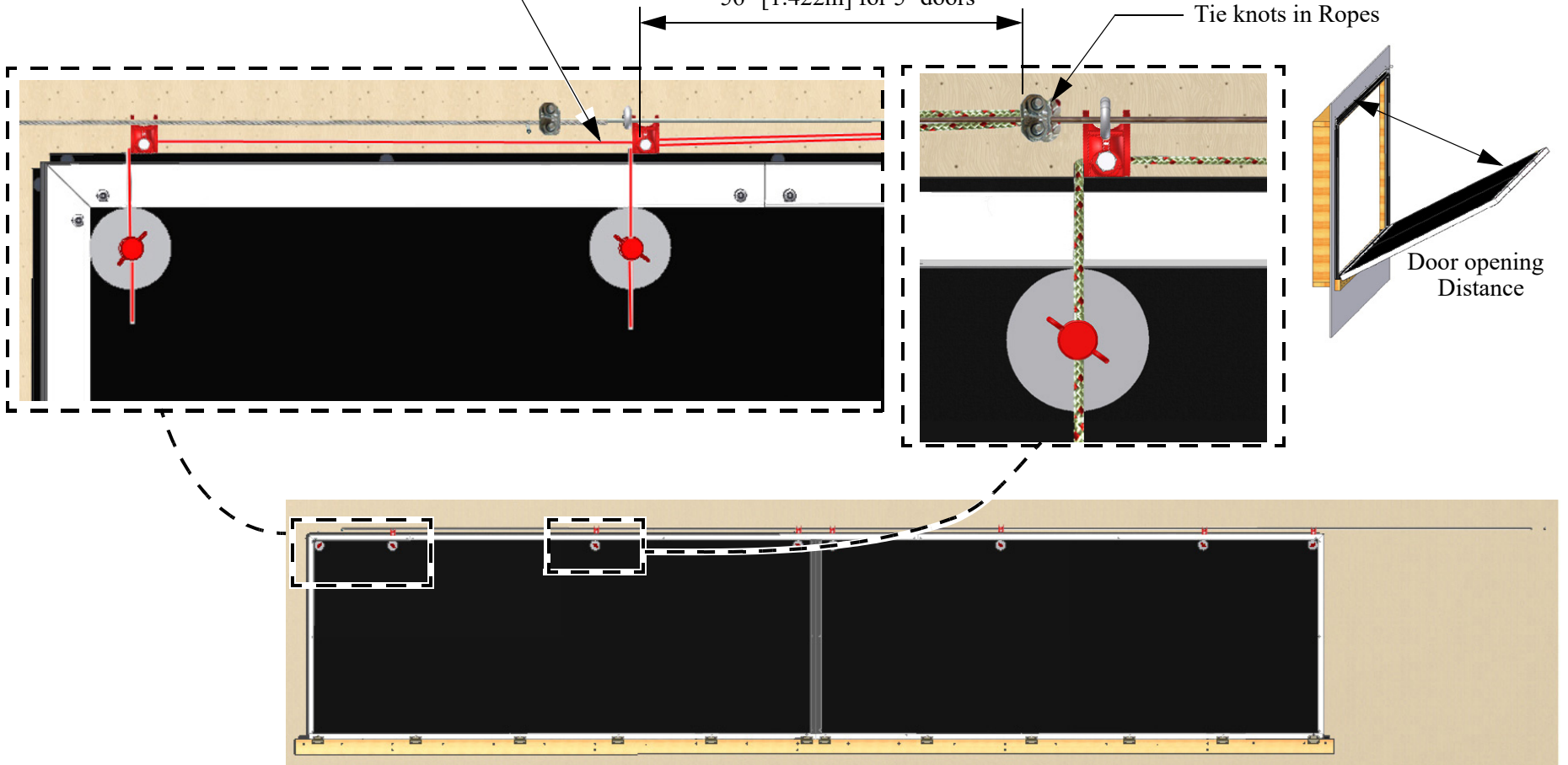
Step 3. Attach Ropes to Door Wire with a Cable Clamp. The Minimum distance between the Cable Clamp and the next Eyehook is the desired Door opening distance.

Lift in Closed Position
(Brass Nut toward Motor)



Minimum = 44" [1.118m] for 4' doors
56" [1.422m] for 5' doors

Feed Rope through skipped
Rope Guides

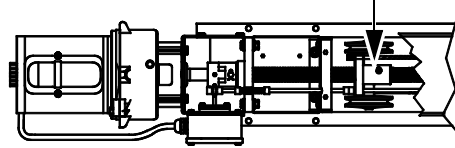


Cable Attachment

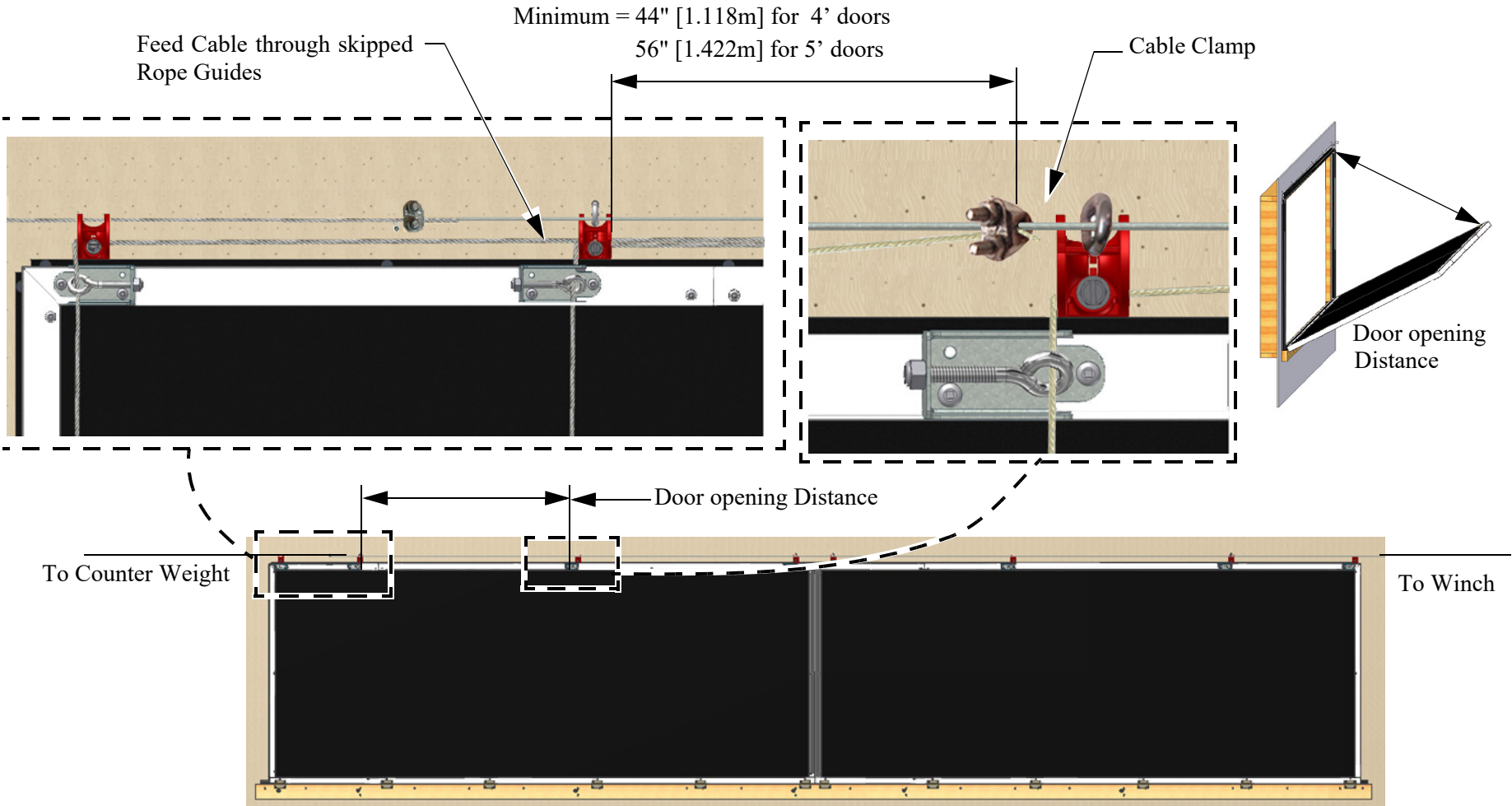
Step 1. Use the Hand Winch to pre-stretch the Main Cable before installing Cable drops.

Step 2. Run Lift to the fully closed position.

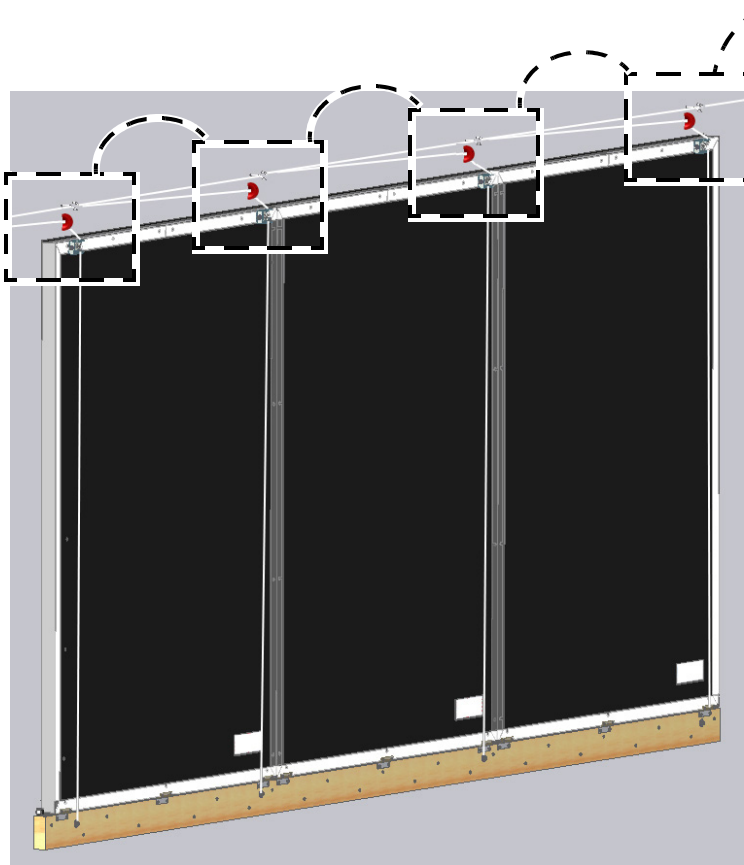
Lift in Closed Position
(Brass Nut toward Motor)



Step 3. Attach Cables to Door Wire with a Cable Clamp. The Minimum distance between the Cable Clamp and the next Eyehook is the desired Door opening distance.



Final Door Adjustment



5/16 Nut

Adjust Cable Tension at each Drop-
Tighten the 1/4-20 Nut on the Cable Tensioner at each drop until the gap between the Door and the Black Seal is 1/4" [6.4mm]

Cable Version

Detailed description: This section contains two diagrams. The left diagram shows a close-up of a cable being threaded through a red metal component. A 5/16 nut is being tightened onto the cable. The right diagram shows the cable running over a red pulley on a wooden frame. An arrow points to the gap between the door and the black seal, which is labeled as 1/4" [6.4mm].

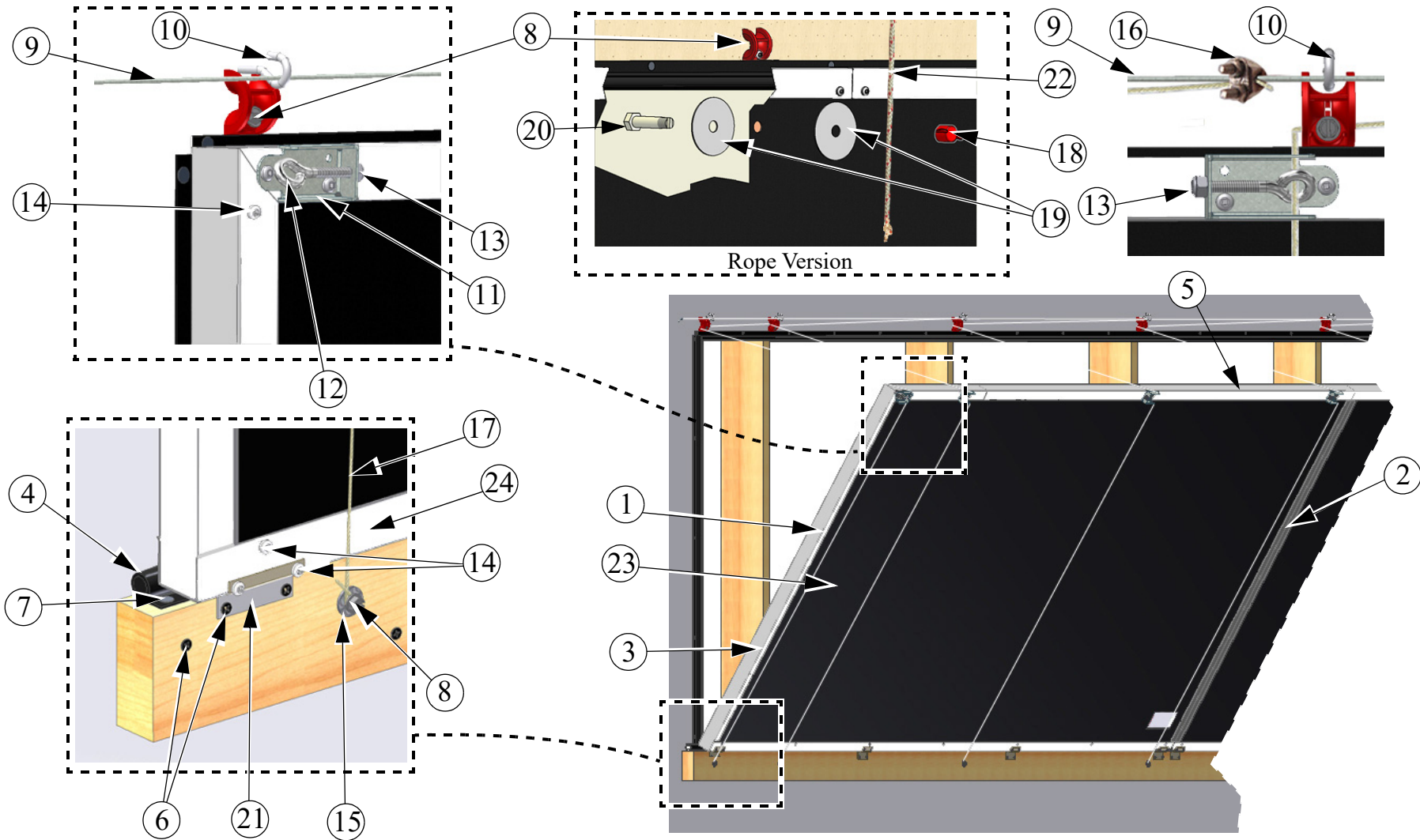
Adjust Rope Tension at each Drop- Loosen the Clamp Nut and pull down on the Rope at each drop until there is a 1/4" [6.4mm] Gap between the Door and the Black Seal.

Rope Version

Detailed description: This section contains two diagrams. The left diagram shows a rope being pulled down through a red metal component. A red circular clamp nut is shown at the bottom of the rope. The right diagram shows the rope running over a red pulley on a wooden frame. An arrow points to the gap between the door and the black seal, which is labeled as 1/4" [6.4mm]. Another arrow points to the red clamp nut, which is labeled as 'Clamp Nut'.

4' and 5' Tall Door Sections

MNV327G

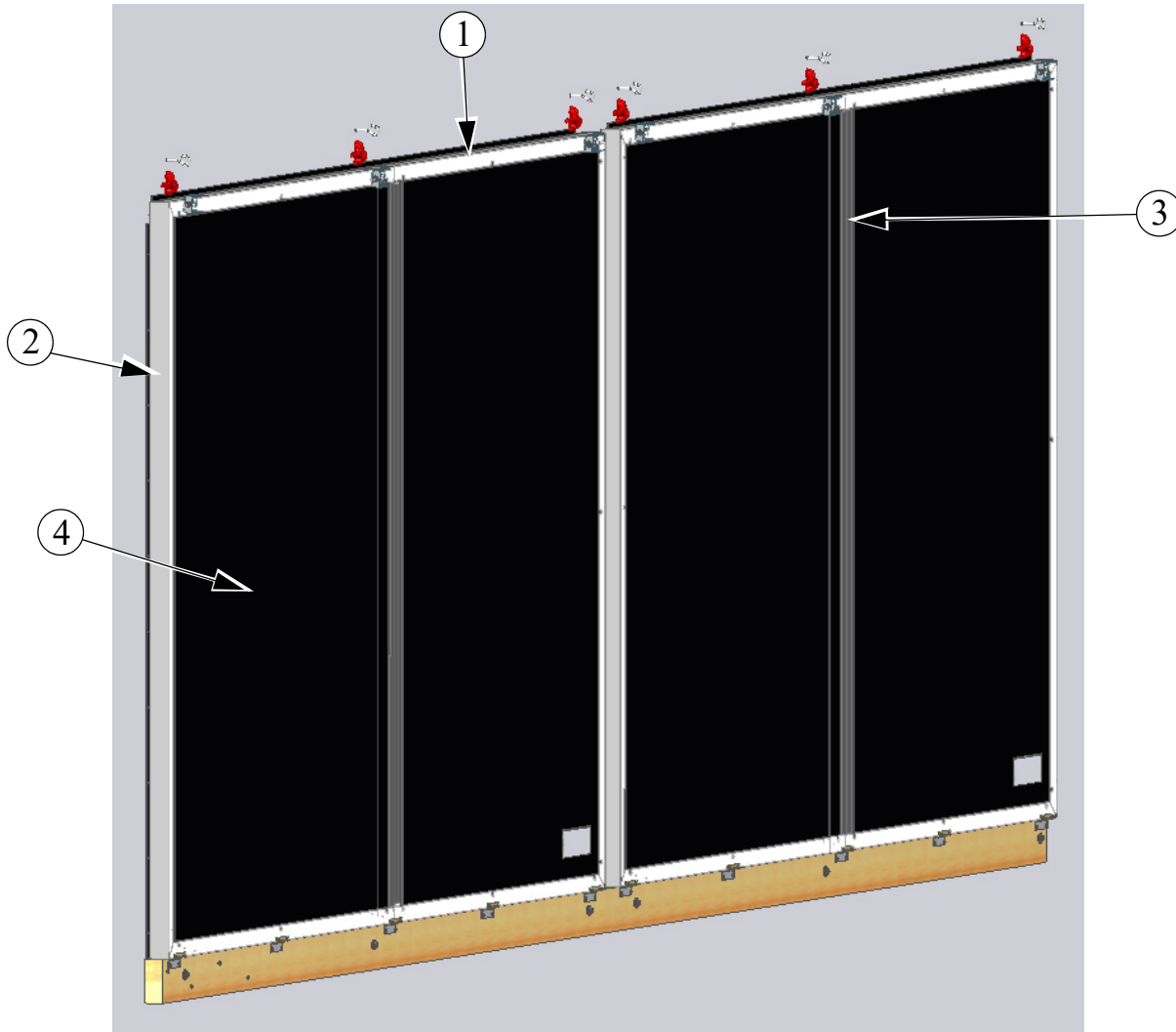


Part Numbers for 4' and 5' Tall Door Sections

Item	Description	Models	
		4' Door Part No.	5' Door Part No.
1	48" Tall x 120" Blk Tunnel Door Section	51345 ⁵	--
	60" Tall x 120" Black Tunnel Door Section	--	56493 ⁹
2	45.63" Blk. H-Channel (Sq. ends)	51153-7	--
	57.63" Blk. H-Channel (Sq. ends)	--	51153-8
3	48.32" Wht. C-Channel 45° Ends ⁷	52591-1	--
	60.32" Wht. C-Channel 45° Ends ⁷	--	52591-2
4	1" Black Bulb Seal	52589-200 ¹	52589-200 ¹
5	96.55 C-Channel (White with Square Ends) ⁷	--	52591-9
	120.55" C-Channel (White w/square Ends)	--	52591-10
6	#9-9x3 Quadrex Drive Wood Screw	50241 ²	50241 ²
7	2D x 1 11 Gauge Roofing Nail	50239 ²	50239 ²
8	Rope Guide w/ Galv. Lag Screw	51960-100 ⁸	51960-100 ⁸
9	Actuator Wire (500')	46059-500 ³	46059-500 ³
	Screw Hook	1214	1214
11	Cable Tensioner Bracket	51489	51489
12	5/16 x 3.25" Eyebolt	30663	30663
13	.31x 18 (Nyl. Insert) Nut	ST99074	ST99074

Item	Description	Models	
		4' Door Part No.	5' Door Part No.
14	#10 x 1/2" Sq. Drive Panhead Screw	52102 ²	52102 ²
15	.406 x .812 x .065 Washer	4967	4967
16	.125 Cable Clamp	14898	14898
17	3/32-7x19 Aircraft Cable	28394	28394
18	Split Bolt Cap	40788	40788
19	Large Washer for Split Bolt	50234	50234
20	Split Bolt	50236	50236
21	1.5 x 2.5 SS Hinge	51917	51917
22	Rope	5-37173 ⁴	5-37173 ⁴
Available Replacement Panels			
23	1.5 x 48 x 120 Blk. FRP Panel	51344	--
	1.5 x 60 x 120 Blk. FRP Panel	--	51344-9
24	48.55 C-Channel (White. w/ Sq. Ends)	--	52591-7
	120.55 C-Channel (White. w/ Sq. Ends)	52591-10	--
¹ Packaged in boxes of 200' ² Must be ordered in increments of 100 pieces ³ 46059-500 is a 500' roll. ⁴ Rope must be ordered in increments of 1000' 5-37173-1000 ⁵ Section includes 51344 Panel with 52591-10 Top and Bottom C-Channels and 51917 Hinges assembled. ⁶ Section includes 51344-6 Panel with 52591-7 Bottom C-Channel and 51917 Hinges assembled. ⁷ Was Black C-Channel from 1-25-08 to 9-2-09. Replacement Black 10' C-Channel Part No. 51152-10. ⁸ Kit includes (51173) Rope Guides and (51039) 1/4-10 x 1 Lag Screws (Qty 100 each). ⁹ Includes 51344-9 Panel with 52591-10 Top and Bottom C-Channels and 51917 Hinges assembled.			

Part Numbers for Individual Door Assemblies



		Size, Assembly Part No. and Component Part Numbers				
		4' x 48"	4' x 93"	4' x 115"	5' x 93"	5' x 115" Door
Item	Description	51664	51665	51666	51869	51870
1	White Top and Bottom C-Channel (45° ends) ¹	52591-1	52591-3	52591-5	52591-3	52591-5
2	White Side C-Channel (45° ends) ¹	52591-1	52591-1	52591-1	52591-2	52591-2
3	H-Channel	--	--	--	51153-8	51153-8
Available Replacement Panel Sizes		Part No.				
4	Panel, 1.5" x 48" x 96" Black FRP	51344-8				
	Panel, 1.5" x 48" x 120" Black FRP	51344				
	Panel, 1.5" x 60" x 120" Black FRP	51344-9				

¹Was Black C-Channel from 1-25-08 to 9-2-09. Replacement Black 10' C-Channel Part No. 51152-10.

This page left blank intentionally.....



Note: The original, authoritative version of this manual is the [English] version produced by CTB, Inc. or any of its subsidiaries or divisions, (hereafter collectively referred to as "CTB"). Subsequent changes to any manual made by any third party have not been reviewed nor authenticated by CTB. Such changes may include, but are not limited to, translation into languages other than [English], and additions to or deletions from the original content. CTB disclaims responsibility for any and all damages, injuries, warranty claims and/or any other claims associated with such changes, inasmuch as such changes result in content that is different from the authoritative CTB-published [English] version of the manual. For current product installation and operation information, please contact the customer service and/or technical service departments of the appropriate CTB subsidiary or division. Should you observe any questionable content in any manual, please notify CTB immediately in writing to: CTB Legal Department, P.O. Box 2000, Milford, IN 46542-2000 USA.

Revisions to this Manual

Page No.	Description of Change	ECO
8	Deleted "Rope Guide Spacing" Added 5' [1.524 m] maximum distance between Suspension Cables.	
18	Added Extension Spring Info	36121

**For additional parts and information, contact your nearest Chore-Time distributor or representative.
Find your nearest distributor at: www.choretime.com/contacts**

CTB, Inc.
PO Box 2000
Milford, Indiana 46542-2000 USA
Phone (574) 658-4101 Fax (877) 730-8825
Email: choretime@choretime.com
Internet: www.choretime.com