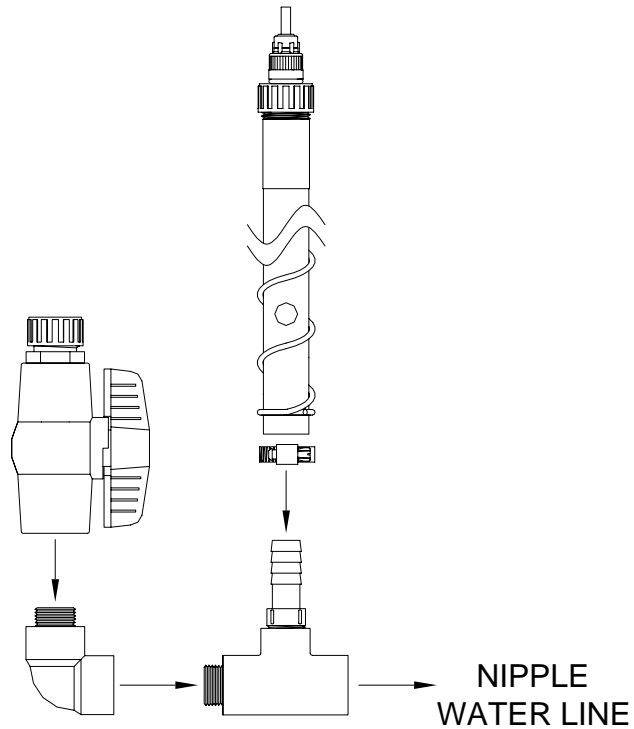




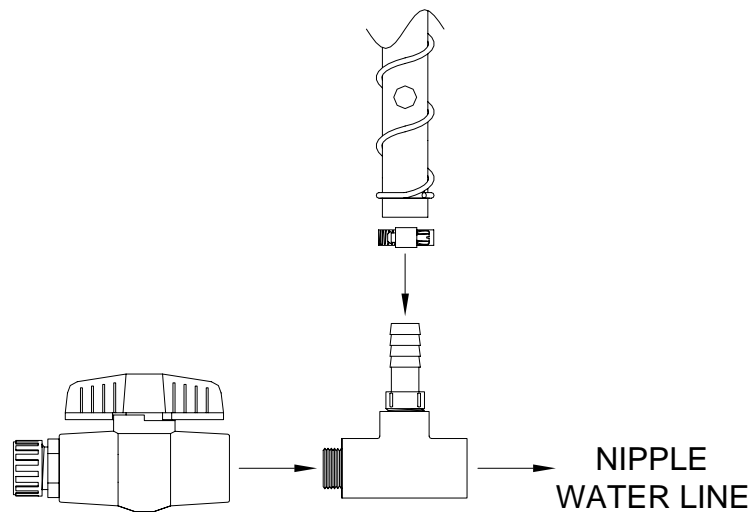
Stand Tube Outlet Assembly

Part Number 35779-0

Installation:



- OR -



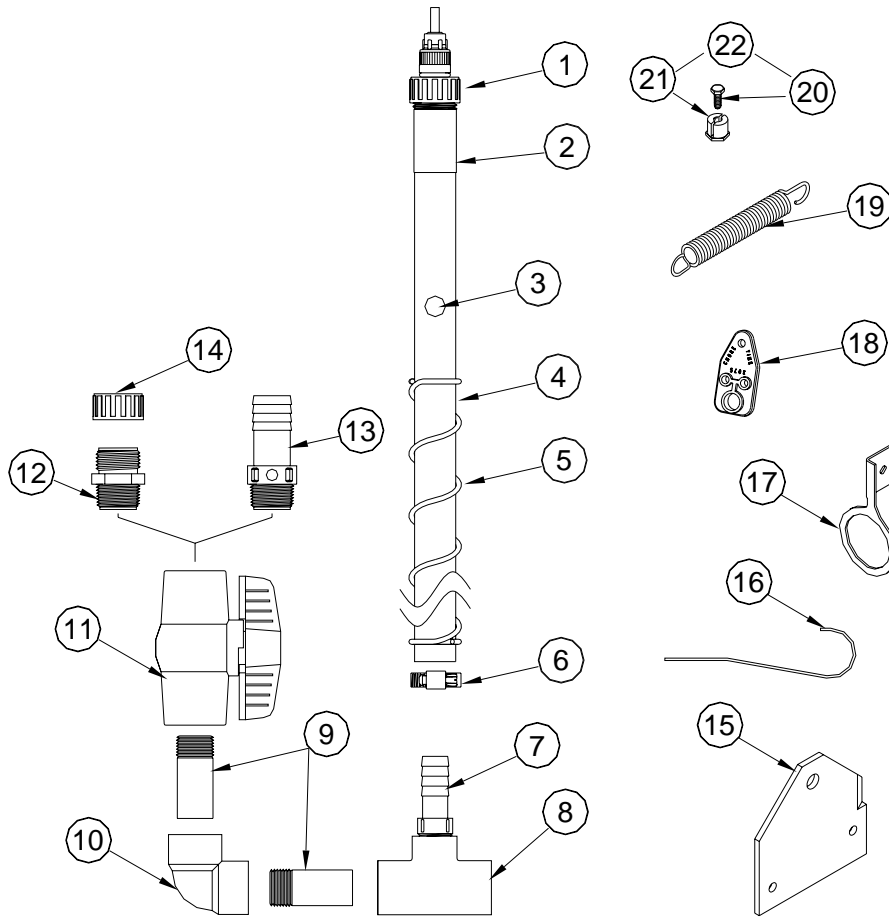
Chore-Time Poultry Production Systems, a Division of CTB, Inc.

P.O. Box 2000 • Milford, Indiana 46542-2000 • U.S.A.

Phone (574) 658-4101 • Fax (877) 730-8825

E-Mail: poultry@choretime.com • Internet: www.choretimepoultry.com

Stand Tube Outlet Assembly



Item	Description	35779-4	35779-5	35779-7	35779-8
		Part No	Part No	Part No	Part No
1	Breather Cap Assembly	45703	45703	45703	45703
2	Male Adapter Fitting	25098	25098	25098	25098
3	Stand Tube Float Ball	37142	37142	37142	37142
4	Flexible Tubing	36840-1	36840-1	36840-1	36840-1
5	Spring	36839-1	36839-1	36839-1	36839-1
6	Hose Clamp	49529	49529	49529	49529
7	1/2" Male Adapter	47881	47881	47881	47881
8	Reducing Tee	34777	34777	34777	34777
9	3/4 x 2" Threaded PVC Pipe	7531-4	7531-4	7531-4	7531-4
10	3/4" S x T Ell	7558	7558	7558	7558
11	3/4" Ball Valve	35781	35781	35781	35781
12	3/4" Nylon Adapter	7543	7543	----	----
13	3/4" Male Adapter	----	----	29422	29422
14	Hose Cap (Washer Included)	9811	9811	9811	9811
15	Anchor Plate	----	42807	42807	----
16	Stand Tube Bracket	33900	33900	33900	33900
17	Hanger	35481	35481	35481	35481
18	Adjustment Leveler	----	3075	3075	----
19	Extension Spring	----	25353	25353	----
20	#10-24 x 3/8" Machine Screw	----	1951	1951	----
21	#10-24 Slotted Nut	----	1840	1840	----
22	Cable Clamp	----	1826	1826	----