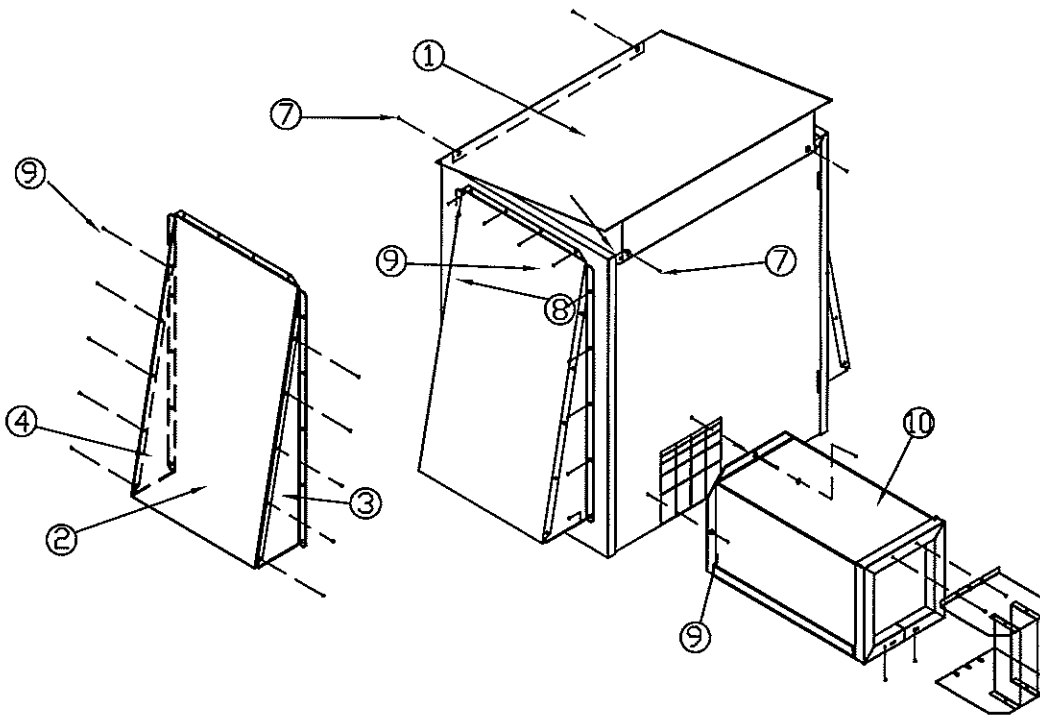


# OUTSIDE MOUNT KIT

## No.43006158/43006159

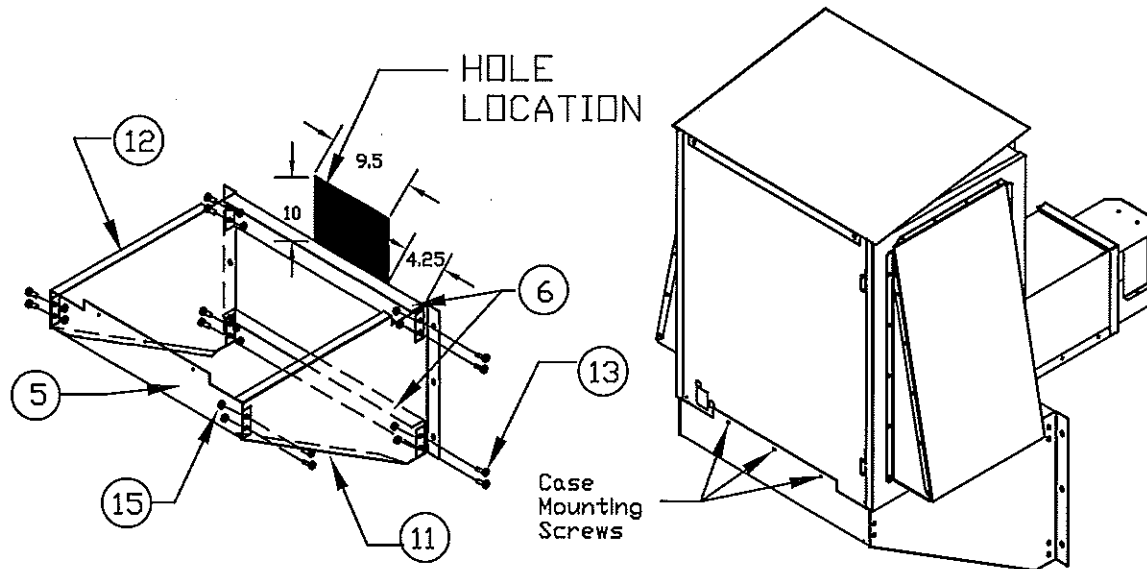


#	PART #	PART NAME	QTY
1	23015243	TURBO-2 RAIN CAP TOP	1
2	23104911	TURBO 2000 DOOR COVER	2
3	23124911	SIDE PANEL-RIGHT	2
4	23114911	SIDE PANEL-LEFT	2
7	18003945	SCREW 10-24 X 3/8	4
8	18000021	NUT 10-24 STAR KEP	4
9	13005235	SCREW 8 X 1/2 TEK	45
10	33005158	VENT TUBE	1

### ASSEMBLY INSTRUCTIONS FOR KIT NO. 43006158

1. Attach Side Panel Right and Side Panel Left to inside of the Door Cover using five (5) #8 X 1/2 TEK Screws on each side. Repeat for second Door Cover.
2. Attach the assembled Door Cover to the heater door using fourteen (14) #8 X 1/2 TEK Screws for each Door. Secure the two (2) outside Screws at the top first then one (1) on each side at the bottom using the punched holes in the door as a guide. Drive the remaining ten (10) Screws into the door using the holes in the top of the Door Cover and in the Side Panels as a guide. Repeat for the second Door Cover.
3. Attach the Rain Cap onto the heater using four (4) 10 - 24 X 3/8 Bolts from the outside through the slots in the cabinet and secure with the four (4) 10 - 24 Nuts on the inside of the cabinet. Note: the Rain Cover must slope away from the building.
4. Attach the Vent Tube to the outlet of the heater with three (3) #8 X 1/2 TEK Screws in the holes provided in the heater cabinet. One (1) above the opening and one (1) on each side of the opening.

OUTSIDE MOUNT KIT  
NO. 43006158/43006159



#	PART #	PART NAME	QTY
5	23015236	SUPPORT BRACKET REAR	1
6	21054908	SUPPORT BRACKET FRONT	2
11	23005234	BOTTOM SUPPORT LEFT	1
12	23005235	BOTTOM SUPPORT RIGHT	1
13	13005270	BOLT 3/8 - 16 X 3/4	12
14	16000040	BOLT 3/8 - 16 X 4	6
15	16005182	NUT 3/8 - 16 NYLON LOCK	18

ASSEMBLY INSTRUCTIONS FOR KIT NO. 43006159

1. Attach the two (2) Front Support Brackets to the inside of the Left and right Bottom Supports using eight(8) 3/8 - 16 X 3/4 Bolts and Nuts.
2. Attach the Rear Support Bracket to the Left and Right Bottom Supports with one (1) 3/8 - 16 Bolt and Nut in the top hole on each end of the Rear Support Bracket. (Do Not Tighten At This Time)
3. Place the assembly against the mounting surface and mark the location of the six (6) mounting holes, the top edge of the Front Support Bracket and the right end of the top Front Support Bracket.
4. Drill the six (6) 3/8 dia. mounting holes
5. Mark and cut the Vent Tube hole! The right side of the hole is 4 1/4" to the left of the right end of the Front Support Bracket. The bottom of the hole is at the top edge of the Front Support Bracket. Mark a square box 9 1/2" wide x 10" tall. Cut opening.
6. Attach the assembled stand to the building using the six (6) 3/8 - 16 X 4 bolts and Nuts.
7. Mount the heater with the Rain Cap, Door Covers and Vent Tube attached (See assembly instruction for Outside Mount Kit No. 43006158) through the wall and onto the stand. Rotate the Rear Support Bracket out of the way to remove the three (3) screws at the bottom of the heater case. Rotate the Rear support Bracket back into position and secure it to the Right and Left Bottom Support using the remaining two (2) 3/8 - 16 x 3/4 Bolts and Nuts. Reinstall the three (3) screw through the Rear Support Bracket into the heater case. Insulate around the Vent Tube.

# OUTSIDE MOUNT KIT

NO. 43006158/43006159

Drill (6) 3/8" dia. holes and cut out hatched area for Vent Tube.

SHOWN WITHOUT REAR SUPPORT BRACKET IN PLACE.

