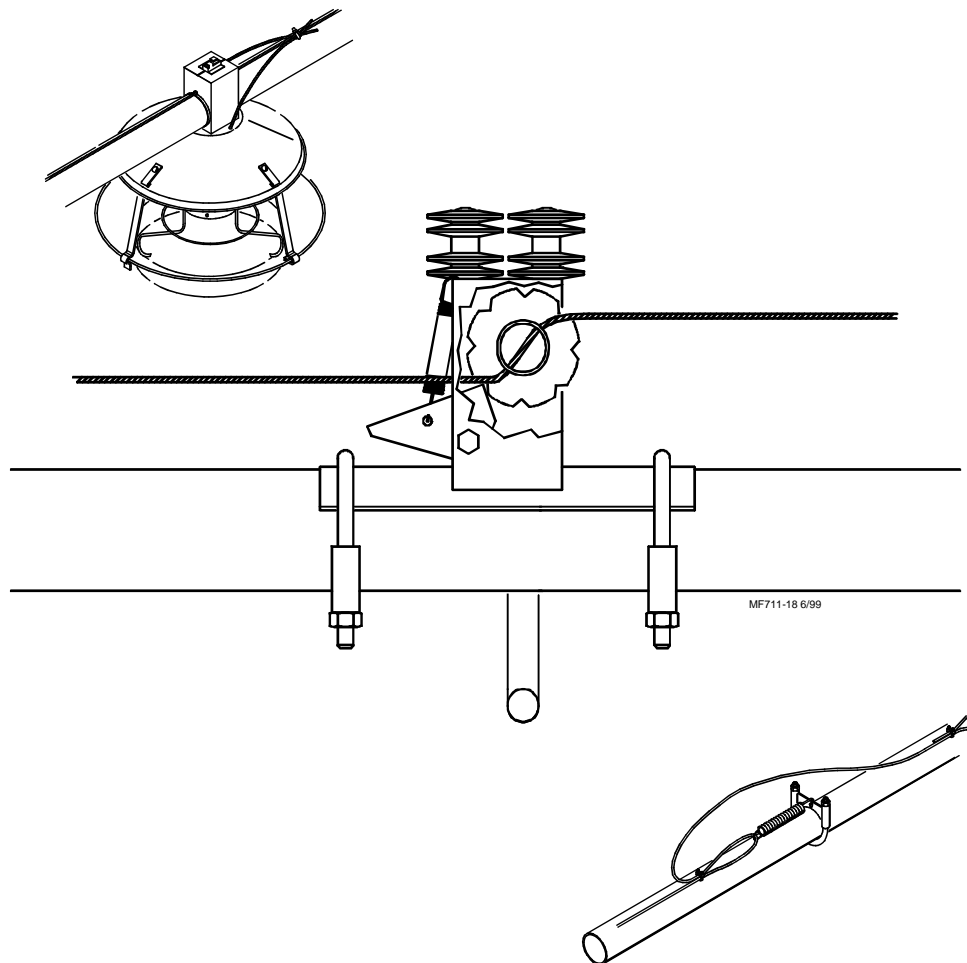


Winch Adjustable Feed Level Tubes for the Adult Turkey Feeder Installation & Operator's Instruction Manual



Chore-Time Warranty

Chore-Time Equipment warrants each new product manufactured by it to be free from defects in material or workmanship for one year from the date of initial installation by the original purchaser. If such a defect is found by Chore-Time to exist within the one year period, Chore-Time will, at its option, (a) repair or replace such product free of charge, F.O.B. the factory of manufacture, or (b) refund to the original purchaser the original purchase price, in lieu of such repair or replacement.

Additional extended warranties are herewith provided to the original purchaser as follows:

- *1. Poultry feeder pans that become unusable within five years from date of installation. Warranty prorated after three years usage.
2. Rotating centerless augers for ten years from date of installation.
3. Chore-Time manufactured roll-formed steel auger tubes for ten years from date of installation.

Conditions and limitations:

1. The product must be installed and operated in accordance with instructions published by **Chore-Time or warranty will be void.**
2. Warranty is void if **all components** of a system are not supplied by **Chore-Time.**
3. This product must be purchased from and installed by an authorized Chore-Time dealer or certified representative thereof, or the warranty will be void.
4. Malfunctions or failure resulting from misuse, abuse, negligence, alteration, accident, or lack of proper maintenance shall not be considered defects under this warranty.
5. This warranty applies only to systems for the care of poultry and livestock. Other applications in industry or commerce are not covered by this warranty.

Chore-Time shall not be liable for any **Consequential or Special Damage** which any purchaser may suffer or claim to have suffered as a result of any defect in the product. **“Consequential” or “Special Damages” as used herein include, but are not limited to, lost or damaged products or goods, costs of transportation, lost sales, lost orders, lost income, increased overhead, labor and incidental costs and operational inefficiencies.**

THIS WARRANTY CONSTITUTES CHORE-TIME'S ENTIRE AND SOLE WARRANTY AND CHORE-TIME EXPRESSLY DISCLAIMS ANY AND ALL OTHER WARRANTIES, INCLUDING, BUT NOT LIMITED TO, EXPRESS AND IMPLIED WARRANTIES AS TO MERCHANTABILITY, FITNESS FOR PARTICULAR PURPOSE SOLD AND DESCRIPTION OR QUALITY OF THE PRODUCT FURNISHED HEREUNDER.

Any exceptions to this warranty must be authorized in writing by an officer of the company. Chore-Time reserves the right to change models and specifications at any time without notice or obligation to improve previous models.

Chore-Time Poultry Feeder Pan Pro Rata Schedule

Year from date of installation during which pan becomes unusable	Charge to be paid by the purchaser for replacement.
0 - 1 years	NO CHARGE
1 - 2 years	NO CHARGE
2 - 3 years	NO CHARGE
3 - 4 years	4/10 of then current list price
4 - 5 years	5/10 of then current list price

CHORE-TIME EQUIPMENT, A Division of CTB, Inc.
P.O. Box 2000
Milford, Indiana 46542-2000 U.S.A.

Contents

Topic	Page	User
Chore-Time Warranty	2	C, D
General	4	C, D
Distributor and Installer Information	4	
Support Information	4	
About This Manual	5	C, D, I
Safety Information	5	C, I
Safety–Alert Symbol	5	
Understanding Signal Words	5	
Follow Safety Instructions	6	
Decal Descriptions	6	
DANGER: Moving Auger	6	
DANGER: Electrical Hazard	6	
Introduction	7	C, D
Operation	7	C, I
Installation of the Winch Adjustable Feed Level Tube System	8	C, I
Installation on Existing Systems	11	
Parts Lists	13	C, D
Miscellaneous Parts	13	
Retrofit Parts	13	
Metal Feed Level Tubes	13	
PVC Feed Level Tubes	13	
24419 Feed Tube Winch	14	

General

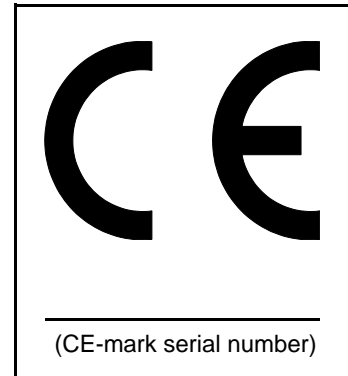
Support Information

The Chore-Time Using this equipment for any other purpose or in a way not within the operating recommendations specified in this manual will void the warranty and may cause personal injury.

This manual is designed to provide comprehensive planning, installation, operation, and parts listing information. The Table of Contents provides a convenient overview of the information in this manual. The Table of Contents also specifies which pages contain information for the sales personnel, installer, and consumer (end user).

IMPORTANT: CE stands for certified Europe. It is a standard which equipment must meet or exceed in order to be sold in Europe. CE provides a benchmark for safety and manufacturing issues. **CE is required only on equipment sold in Europe.**

Chore-Time Equipment recognizes CE Mark and pursues compliance in all applicable products. *Fill in the CE-Mark serial number in the blank space provided for future reference.*



Distributor and Installer Information

Please fill in the following information about your Product.
Keep this manual in a clean, dry place for future reference.

Distributor's Name _____

Distributor's Address _____

Distributor's Phone _____ **Date of Purchase** _____

Installer's Name _____

Installer's Address _____

Installer's Phone _____ **Date of Installation** _____

System Specifications _____

About This Manual

The intent of this manual is to help you in two ways. One is to follow step-by-step in the order of assembly of your product. The other way is for easy reference if you have questions in a particular area.

Important ! Read **ALL** instructions carefully before starting construction.

Important ! Pay particular attention to all **SAFETY** information.

- *Metric measurements are shown in millimeters and in brackets, unless otherwise specified. “ ” equals inches and “ ’ ” equals feet in English measurements.*

Examples:

1" [25.4]

4' [1 219]

- Optional equipment contains necessary instructions for assembly or operation.
- Major changes from the last printing will be listed on the back cover.
- This Planning Symbol is used in areas where planning needs to take place before construction continues.
- Very small numbers near an illustration (*i.e.*, 1257-48) are identification of the graphic, not a part number.



Safety Information

Caution, Warning and Danger Decals have been placed on the equipment to warn of potentially dangerous situations. Care should be taken to keep this information intact and easy to read at all times. Replace missing or damaged safety signs.

Using the equipment for purposes other than specified in this manual may cause personal injury and or damage to the equipment.



Safety–Alert Symbol

This is a safety–alert symbol. When you see this symbol on your equipment, be alert to the potential for personal injury. This equipment is designed to be installed and operated as safely as possible...however, hazards do exist.

Understanding Signal Words

Signal words are used in conjunction with the safety–alert symbol to identify the severity of the warning.



DANGER indicates an imminently hazardous situation which, if not avoided, **WILL** result in death or serious injury.



WARNING indicates a potentially hazardous situation which, if not avoided, **COULD** result in death or serious injury.



CAUTION indicates a hazardous situation which, if not avoided, **MAY** result in minor or moderate injury.

Safety Information

Follow Safety Instructions

Carefully read all safety messages in this manual and on your equipment safety signs. Follow recommended precautions and safe operating practices.

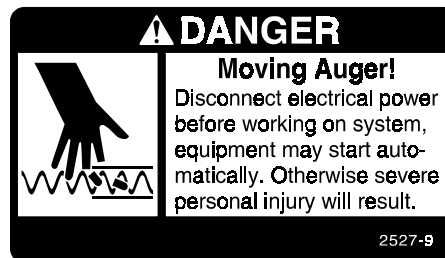
Keep safety signs in good condition. Replace missing or damaged safety signs.

Decal Descriptions

DANGER: Moving Auger

This decal is placed on the Panel Weldment.

Severe personal injury will result, if the electrical power is not disconnected, prior to servicing the equipment.



DANGER: Electrical Hazard

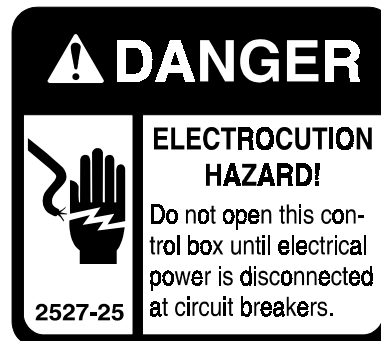
Disconnect electrical power before inspecting or servicing equipment unless maintenance instructions specifically state otherwise.

Ground all electrical equipment for safety.

All electrical wiring must be done by a qualified electrician in accordance with local and national electric codes.

Ground all non-current carrying metal parts to guard against electrical shock.

With the exception of motor overload protection, electrical disconnects and over current protection are not supplied with the equipment.



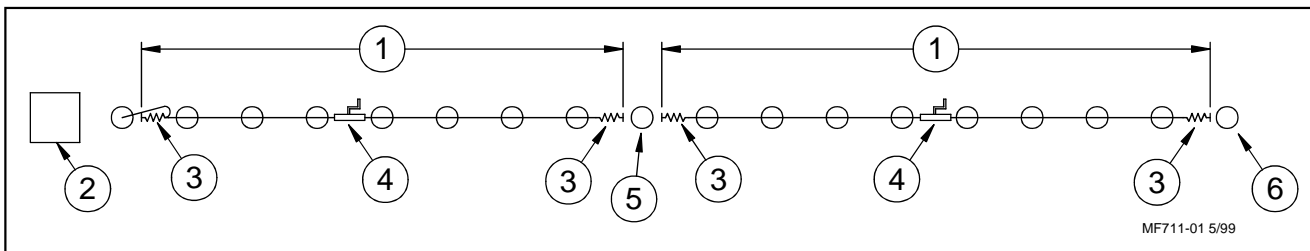
Introduction



Chore-Time’s Adult Turkey Feeder can be equipped to provide winch adjustable Feed Level Tubes. New systems can be ordered with this feature and old systems can be easily retrofitted. Either the metal 4194 Feed Level Tube Assembly or the optional; PVC 14280 Feed level Tube may be used.

The feed level tubes are adjusted by means of a winch and cable systems. Each winch can handle up to a maximum Of 200 feet of feeder line. Each feeder line should be divided into sections that are the same length, with each section a maximum of 200 feet [61 m]. A winch should be located in the middle of each section. **Figure 1**

Important The Feed Level Tubes on the Intermediate Control Pans and the Control Unit Pans should not be winched.



Key	Description
1	200' [61 m] Maximum
2	Feed Hopper
3	Spring
4	Winch
5	Intermediate Control
6	Control Unit

Operation

The Feed Level Tubes are winched up to flood the pans with feed to allow maximum access to the feed for young turkeys. As the birds grow, the Feed Level Tubes can be allowed to reduce the feed level.

The 4194 Feed Level Tube should have the Feed Level Ring adjusted to maintain the desired feed level when the Feed Level Tubes are lowered. See Chore-Time Manual MF232 for instructions on how to set feed levels.

The feed level with the 14280 Feed Level Tube should be adjusted with the winch to maintain the desired feed level.

Installation of the Winch Adjustable Feed Level Tube System

Note Retrofit installations require some modifications to the Pan Shields and to the Feed level Tubes. These modifications should be made prior to installation. See pages 11 and 12 for details.

1. Use two Tube Clamps provided to fasten the Winch to the Feeder Line Tube. See Figure 2.

The Winch should be placed in the center of the line of feed Line Tubes it will adjust, as shown in Figure 1. The line length must not exceed 200 feet [61 m].

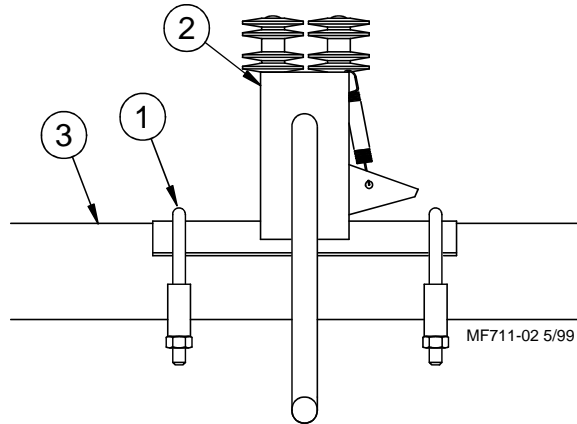


Figure 2. Winch Installation (side view)

Key	Description
1	Clamp
2	Winch
3	Auger Tube

2. Drill a 1/4" [6 mm] hole in the flat metal portion of a tube clamp to anchor spring on each side of the winch. See Figure 3. Attach the Tube Clamp/Spring assemblies to the feeder line tube at a maximum distance of 100 feet [30 m] from the winch. See Figure 1.

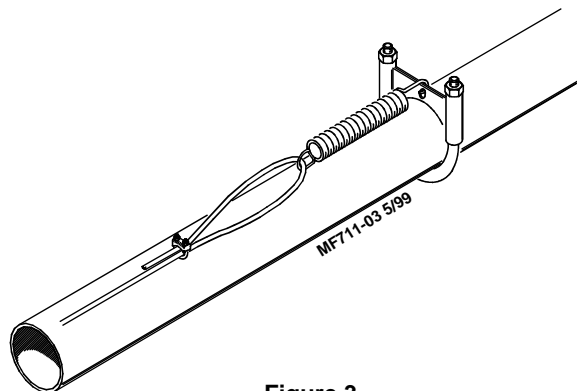


Figure 3.

3. Thread half of the cable through the hole in the winch drum. Turn the winch handle clockwise two revolutions to wind some cable onto the winch drum. See **Figure 4**.

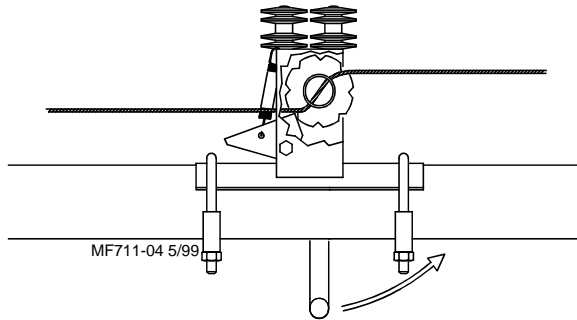


Figure 4. Winch Cable Wrapping around Winch Drum (side drum)

4. Thread the cable through every Drop Tube to support the cable and keep it in position. See **Figure 5**.

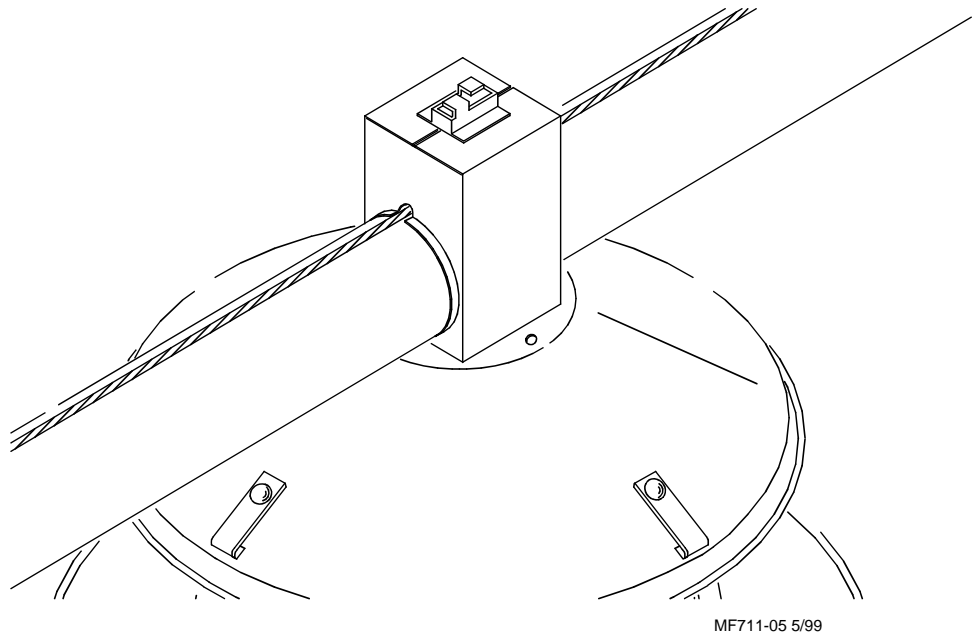


Figure 5. Winch Cable Routing

5. Loop the cable around the end of the Spring and secure with a cable clamp. See **Figure 6**.

After both ends of the cable are attached to the Springs, use the Winch to stretch the springs approximately 8" [203 mm].

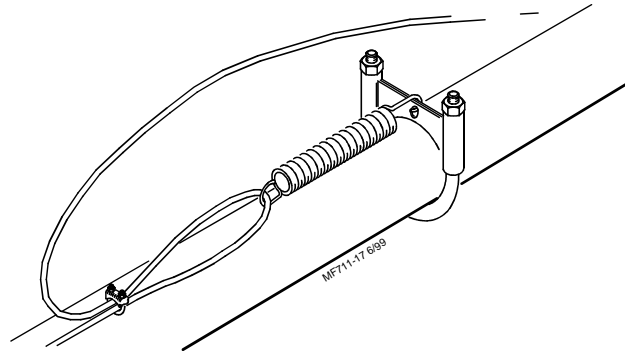


Figure 6.

6. There is not enough room between the feed hopper and the first feeder pan to attach and stretch the spring. Install the spring in between the first and second pan after the hopper. Then route the cable back to the first pan and attach to the feed tube cable assemblies. See **Figure 7**.

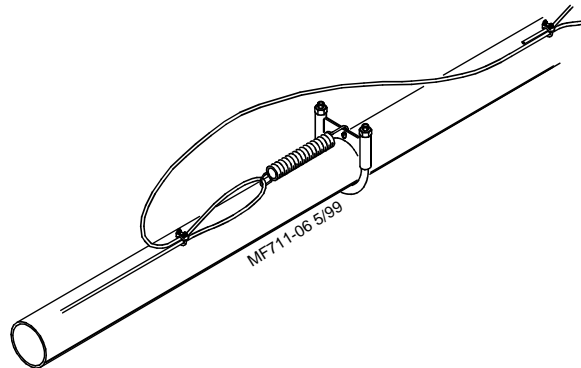


Figure 7.

7. Install two cable assemblies at each feed level tube (if the cable assemblies have not yet been installed). The cable stop should be on the inside of the feed level tube and pulled up tight against the inside. See **Figure 8**.

Key	Description
1	Feed Level Ring Assembly
2	Cable Assembly

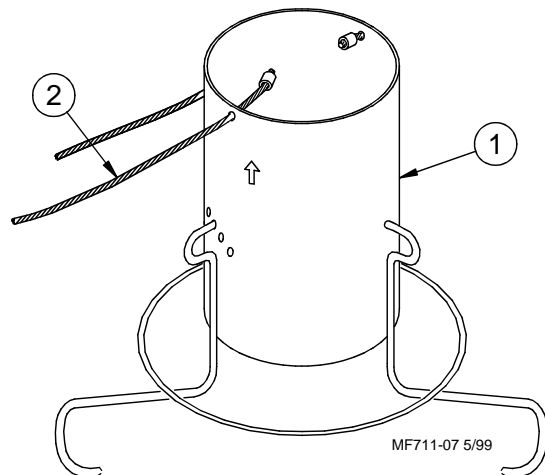


Figure 8.

8. Thread the cable assemblies through the holes on each side of the pan shield from the underside. Then clamp them to the master cable with a cable clamp. See Figure 47.

NOTE Before clamping the cable assemblies to the cable, make sure that:

- a. The springs at each end of the cable are stretched approximately 8 inches [200 mm].
- b. The feed level tubes are raised as high as possible.
- c. The stop on the cable assemblies are pulled up against the inside of the feed level tube.

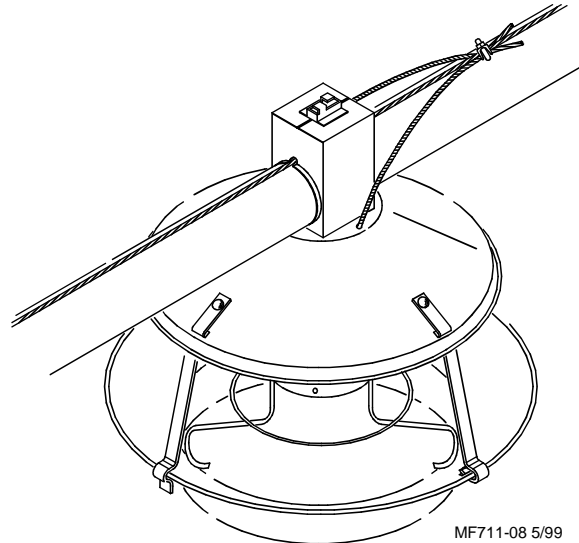


Figure 9.

Installation on Existing Systems

Some modifications to the Pan and Feed Level Tubes are required on existing systems. After these modifications have been made, follow the same installation procedures (Figures 1-9) as for new systems.

The existing metal feed level tubes may be replaced with new PVC Feed Level Tubes or the existing Drop Tubes and metal Feed Level Tubes may be modified.

1. If the existing Feed Level Tubes are to be used, the Drop Tubes must be extended to prevent the feed level tubes from hanging up. Use a 24113 Tube Guide as a template and drill a 3/16" hole in opposite sides of the Drop Tubes. Use a 3/16" Pop Rivet to fasten a Tube Guide to opposite sides of the Drop Tube. **Figure 10.**

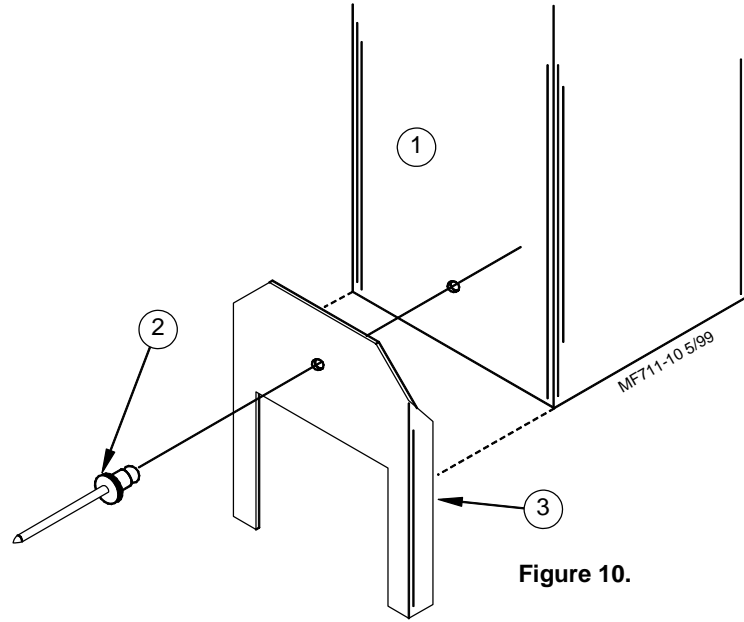


Figure 10.

Key	Description
1	Drop Tube
2	3/16" Pop Rivet
3	Feed Tube Guide

2. Drill two 3/16" diameter holes in the existing metal feed tubes. **See Figure 11. Not required with PVC Feed level Tubes.**
3. Drill two 3/16" diameter holes in the Pan Shields. **See Figure 12.**

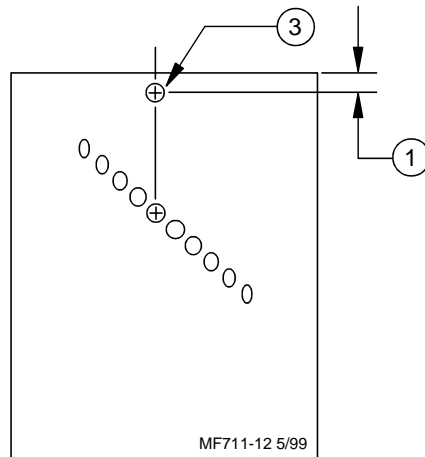


Figure 11.

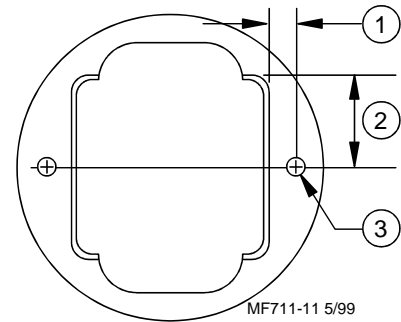
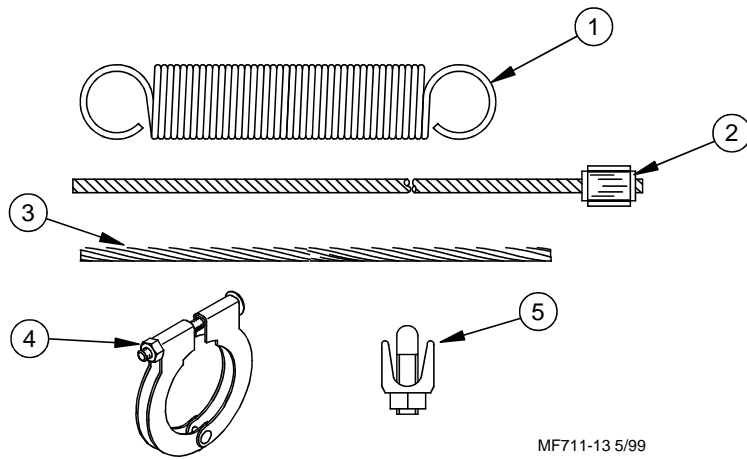


Figure 12.

Key	Description
1	3/8"
2	1-5/8"
3	3/16" Diameter Hole

Parts Lists

Miscellaneous Parts

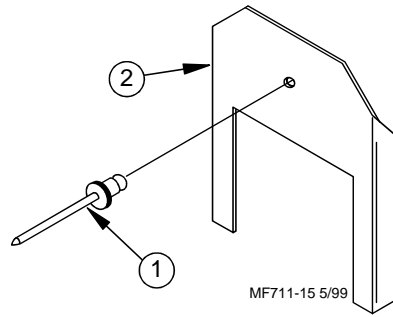


MF711-13 5/99

Key	Description	Part No.
1	Spring	24302
2	Cable Assembly	14278
3	3/32" Galvanized Cable Optional Stainless Steel Cable	4973 7130
4	Tube Calmp	29520
5	1/8" Cable Clamp	14898

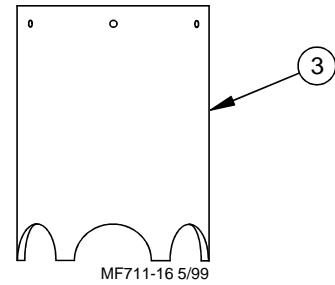
Retrofit Parts

Metal Feed Level Tubes



MF711-15 5/99

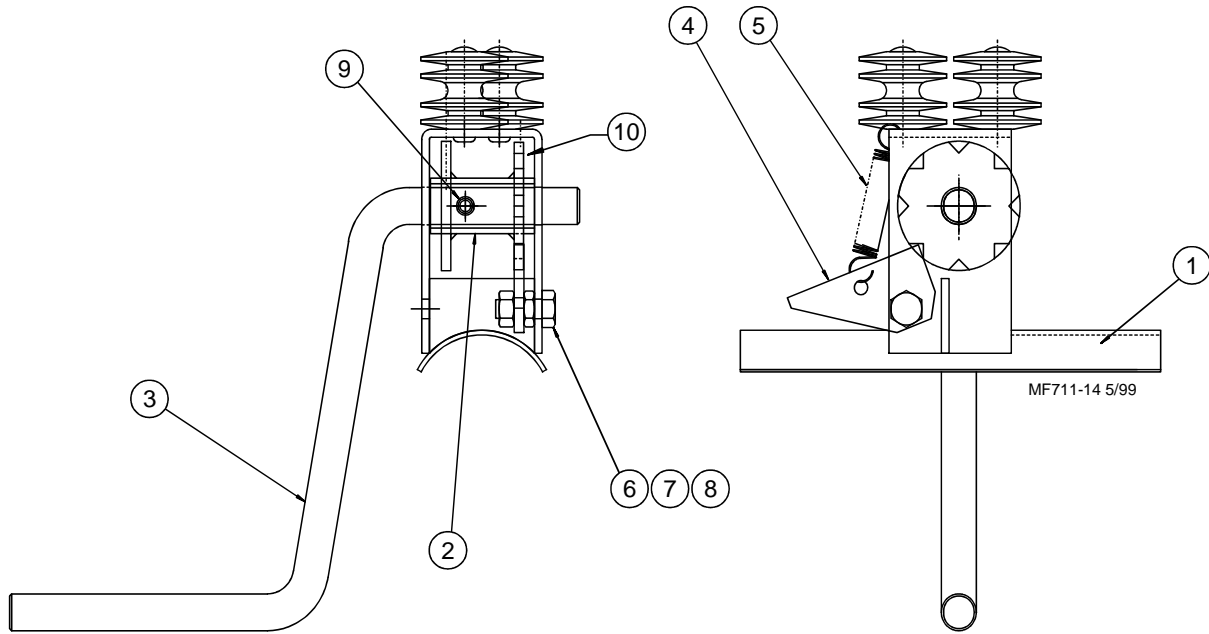
PVC Feed Level Tubes



MF711-16 5/99

Key	Description	Part No.
1	Tube Guides	24113
2	3/16" Pop Rivet	4629
3	PVC Feed Level Tube	14280

24419 Feed Tube Winch



Key	Description	Part No.
1	Ratchet Body Weldment	14675
2	Drum Weldment	14678
3	Crank	14877
4	Stop	14677
5	Spring	1543
6	1/4-20x.62 Bolt	2152
7	1/4-20 Locknut	1269
8	1/4-20 Jamb Nut	20826
9	Spring Pin	14881-1
10	Spring Not Shown	

This Page Currently not in Use



**Made to work.
Built to last.**

Revisions to this Manual

Page No.	Description of Change
	Entire manual updated with corrections made to the Parts Lists. The #24419 Feed Tube Winch added. The #14680 Feed Tube Winch deleted.

Contact your nearby Chore-Time distributor or representative for additional parts and information.

**CTB Inc.
P.O. Box 2000 • Milford, Indiana 46542-2000 • U.S.A.
Phone (219) 658-4101 • Fax (800) 333-4191
E-Mail: ctb@ctbinc.com • Internet: <http://www.ctbinc.com>**

Printed in the U.S.A.