

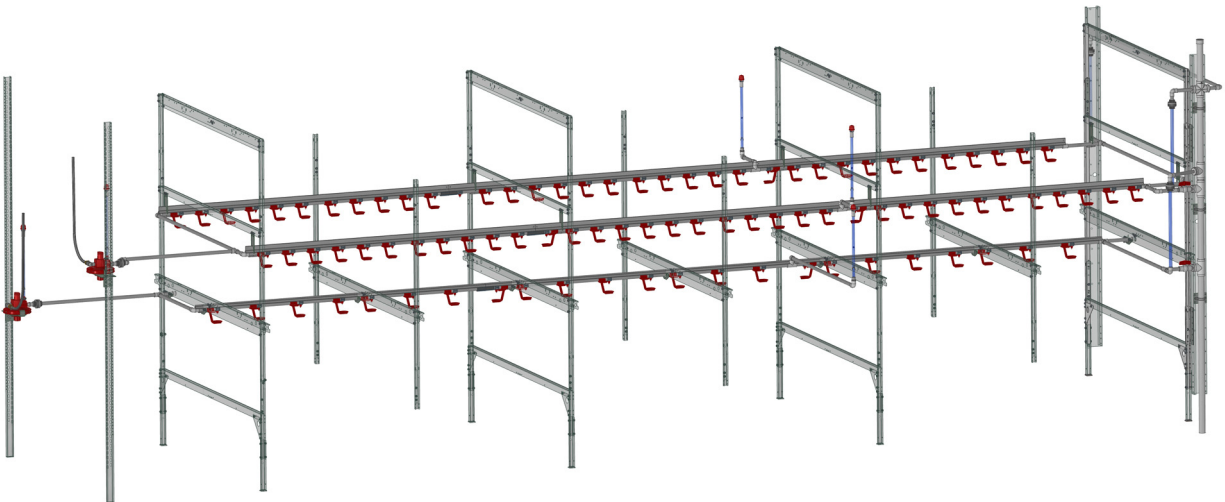


# Vike Aviary System Watering

## Installation and Operators Instruction Manual

Installation and Operators Manual

Installation and Operators Manual



For additional parts and information, contact your nearest Chore-Time distributor or representative.  
Find your nearest distributor at: [www.choretime.com/contacts](http://www.choretime.com/contacts)

# Contents

Topic	Page
<b>Chore-Time Limited Warranty</b> .....	<b>3</b>
<b>Safety Information</b> .....	<b>4</b>
Follow Safety Instructions .....	4
Decal Descriptions .....	4
DANGER : Moving Auger .....	4
DANGER: Electrical Hazard .....	4
<b>Introduction</b> .....	<b>5</b>
Filtration .....	5
Incoming Pressure .....	5
<b>Planning</b> .....	<b>6</b>
<b>Tools Required</b> .....	<b>6</b>
<b>Installation</b> .....	<b>7</b>
<b>Raise the suspension to a convenient working height</b> .....	<b>7</b>
Proper Pipe Cutting and use of PVC Cement .....	7
Lubrication .....	7
Acceptable Lubrication: .....	7
Unacceptable Lubrication: .....	7
Water Line Installation .....	8
Bottom Tier Starter Pipe at the Regulator End .....	8
Second Tier Starter Pipe at Water Regulator End .....	9
Regulator Installation .....	10
Regulator Support Assembly .....	10
Attaching Regulators .....	10
Plumbing Regulators to Starter Pipe .....	11
Mid-line Stand Tube Installation .....	12
Drain Line (Flush End) Assembly .....	13
Bottom Tier Drain Plumbing .....	14
Second Tier Drain Plumbing .....	15
<b>Filter Control Panel Installation</b> .....	<b>16</b>
<b>Flushable Filter Control Panel Installation</b> .....	<b>17</b>
<b>Maintenance</b> .....	<b>18</b>
Regulator Seat Replacement .....	18
<b>Parts Listing</b> .....	<b>20</b>
Waterline Parts .....	20
Water Regulator Kit (54536) .....	23
Filter Control Panel with Step Regulator .....	24
Flush able Filter Control Panel (36802-1 and 36802-2) .....	25
Pulse Water Meter (54579) .....	26
Slope Compensator (54035) .....	26
Regulator Assembly (55476-4, and 55476-5) .....	28
Misc. Components List .....	31

## Chore-Time Limited Warranty

Chore-Time Group, a division of CTB, Inc. (“Chore-Time”) warrants the new CHORE-TIME Watering products manufactured by Chore-Time to be free from defects in material or workmanship under normal usage and conditions, for One (1) year from the date of installation by the original purchaser (“Warranty”). Chore-Time provides for an extension of the aforementioned Warranty period (“Extended Warranty Period”) with respect to certain Product parts (“Component Part”) as set forth in the table below. If such a defect is determined by Chore-Time to exist within the applicable period, Chore-Time will, at its option, (a) repair the Product or Component Part free of charge, F.O.B. the factory of manufacture or (b) replace the Product or Component Part free of charge, F.O.B. the factory of manufacture. This Warranty is not transferable, and applies only to the original purchaser of the Product.

Component Part	Extended Warranty Period
RXL Fan (except motors and bearings)	Three (3) Years
TURBO® Fan (except motors and bearings)	Three (3) Years
TURBO® Fan fiberglass housing, polyethylene cone, and cast aluminum blade.	Lifetime of Product
TURBO® fan motor and bearings.	Two (2) Years
Chore-Time® Poultry Feeder Pan	Three (3) Years
Chore-Time® Rotating Centerless Augers (except where used in applications involving high moisture feed stuffs exceeding 17%)	Ten (10) Years
Chore-Time Steel Auger Tubes	Ten (10) Years
ULTRAFLO® Breeder Feeding System auger and feed trough.	Five (5) Years
ULTRAPAN® Feeding System augers.	Five (5) Years

### CONDITIONS AND LIMITATIONS

THIS WARRANTY CONSTITUTES CHORE-TIME’S ENTIRE AND SOLE WARRANTY AND CHORE-TIME EXPRESSLY DISCLAIMS ANY AND ALL OTHER WARRANTIES, INCLUDING, BUT NOT LIMITED TO, EXPRESS AND IMPLIED WARRANTIES, INCLUDING, WITHOUT LIMITATION, WARRANTIES AS TO MERCHANTABILITY OR FITNESS FOR PARTICULAR PURPOSES. CHORE-TIME shall not be liable for any direct, indirect, incidental, consequential or special damages which any purchaser may suffer or claim to suffer as a result of any defect in the Product. Consequential or Special Damages as used herein include, but are not limited to, lost or damaged products or goods, costs of transportation, lost sales, lost orders, lost income, increased overhead, labor and incidental costs, and operational inefficiencies. *Some jurisdictions prohibit limitations on implied warranties and/or the exclusion or limitation of such damages, so these limitations and exclusions may not apply to you. This warranty gives the original purchaser specific legal rights. You may also have other rights based upon your specific jurisdiction.*

Compliance with federal, state and local rules which apply to the location, installation and use of the Product are the responsibility of the original purchaser, and CHORE-TIME shall not be liable for any damages which may result from non-compliance with such rules.

The following circumstances shall render this Warranty void:

- Modifications made to the Product not specifically delineated in the Product manual.
- Product not installed and/or operated in accordance with the instructions published by the CHORE-TIME.
- All components of the Product are not original equipment supplied by CHORE-TIME.
- Product was not purchased from and/or installed by a CHORE-TIME authorized distributor or certified representative.
- Product experienced malfunction or failure resulting from misuse, abuse, mismanagement, negligence, alteration, accident, or lack of proper maintenance, or from lightning strikes, electrical power surges or interruption of electricity.
- Product experienced corrosion, material deterioration and/or equipment malfunction caused by or consistent with the application of chemicals, minerals, sediments or other foreign elements.
- Product was used for any purpose other than for the care of poultry and livestock.

The Warranty and Extended Warranty may only be modified in writing by an officer of CHORE-TIME. CHORE-TIME shall have no obligation or responsibility for any representations or warranties made by or on behalf of any distributor, dealer, agent or certified representative.

Effective: **April, 2014**

# Safety Information

**Caution, Warning and Danger Decals** have been placed on the equipment to warn of potentially dangerous situations. Care should be taken to keep this information intact and easy to read at all times. Replace missing or damaged safety decals immediately.

## Safety–Alert Symbol



**This is a safety–alert symbol.** When you see this symbol on your equipment, be alert to the potential for personal injury. This equipment is designed to be installed and operated as safely as possible...however, hazards do exist.

## Understanding Signal Words

**Signal words** are used in conjunction with the safety–alert symbol to identify the severity of the warning.



**DANGER** indicates an imminently hazardous situation which, if not avoided, **WILL** result in death or serious injury.



**WARNING** indicates a potentially hazardous situation which, if not avoided, **COULD** result in death or serious injury.



**CAUTION** indicates a hazardous situation which, if not avoided, **MAY** result in minor or moderate injury.

## Follow Safety Instructions

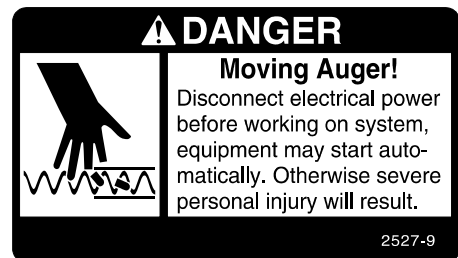
Carefully read all safety messages in this manual and on your equipment safety signs. Follow recommended precautions and safe operating practices.

Keep safety signs in good condition. Replace missing or damaged safety signs.

## Decal Descriptions

### DANGER : Moving Auger

This decal is placed on the End Cap Weldment and Clean-out cover. Severe personal injury will result, if the electrical power is not disconnected, prior to servicing the equipment.



### DANGER: Electrical Hazard

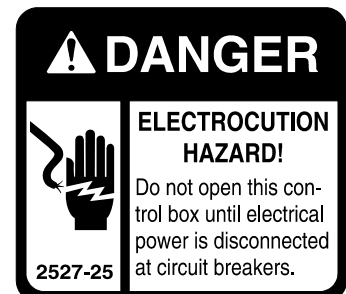
Disconnect electrical power before inspecting or servicing equipment unless maintenance instructions specifically state otherwise.

Ground all electrical equipment for safety.

All electrical wiring must be done by a qualified electrician in accordance with local and national electric codes.

Ground all non-current carrying metal parts to guard against electrical shock.

Electrical disconnects and over current protection are not supplied with the equipment.



## Introduction

### Filtration

Good water quality maximizes performance of the equipment, minimizes maintenance and repair, and increases the life of the system.

Pump the well prior to hookup of the system to clear sand, mud, or debris. CHORE-TIME recommends a water test by a reputable water treatment company in the area. Water treatment and/or extra filtration may be required, depending on the water test results.

A minimum of 1, 140 mesh filter is recommended. For systems with high sand/silt levels a secondary, more aggressive, filter should be placed down stream of the 140 mesh filter.

### Incoming Pressure

	Filter Control Panels		Regulators
<b>Part Number</b>	36802-1	9275/36802-2	All
<b>Incoming Pressure</b>	3-11 psi	11-35 psi*	3-35 psi
	For incoming pressure between 35 and 125 psi use the 35308 pressure step down assembly with the filter control panel.		

CHORE-TIME recommends a minimum incoming water pressure of 3 psi [21 kPa] for gravity feed systems. To obtain this minimum pressure the water level in the water tank should be maintained 8' [2.4 m] above the nipple line. CHORE-TIME recommends a Maximum line length of 250' [76 m] for a gravity feed system.

For every 28" [711 mm] of water column, water pressure increases one pound. Measure the operating pressure at bottom of the water pipe.

Incoming water supply should be at least a 1" [25 mm] diameter incoming line (preferably PVC) from a single well. If there are two or more supply wells, the supply line should be larger. Other factors such as, the distance from the well(s) to the filter control panel and other equipment which requires water could demand larger lines.

Each pressure regulator is capable of supplying one tier (two lines) up to 600 feet (182.8 meters). Systems over 600 feet (182.8 meters) require two inlet assemblies per tier (one per line).

## Planning

Chore-Time recommends taking time to lay out the sections of water pipe and other large components prior to beginning each installation step. Hardware, tools, and small components (valves, etc.) may be conveniently carried in a carpenter's apron.

It may speed up installation, if you assemble sub-assemblies prior to the nipple water installation. Assembly instructions are included in this manual for the stand tube sub-assemblies.

Installation of Chore-Time Cage Watering System can be broken down into the following general steps:

- Installation of the water lines and accessories.
- Installation of the Regulator.
- Installation of the Stand Tubes.
- Installation of the Drain/Overflow Pipes.

### Notes:

1. On the Bottom Tiers only install Watering Lines every other Cage Row.
2. Incoming water line (before Water Regulator) is not supplied.

## Tools Required

Tools needed to install your nipple water system include:

- Regular Screwdriver
- Bolt cutters or Hack Saw
- Locking Pliers
- PVC Cleaning Solvent
- File
- Electric Drill and Drill Bits
- Saw top cut PVC tube
- De-Burring tool
- Screw-Hook Driver

## Installation

Raise the suspension to a convenient working height.

### Proper Pipe Cutting and use of PVC Cement

**Important!** FOLLOW THE DIRECTIONS ON THE CONTAINER OF PVC CEMENT FOR SAFE HANDLING AND BEST RESULTS.

1. Be sure pipe is cut off squarely. USE PIPE CUTTERS ONLY. Failure to use pipe cutters voids the warranty.
2. Remove dirt and burrs from outside and inside of the pipe.
3. Dry fit all parts before cementing. Pipe should be fit into fittings without applying excess force.
4. Surfaces to be joined should be clean--free from dirt, oil, and grease. Use PVC Pipe Cleaner, as needed.
5. Apply PVC cement to both surfaces to be joined. Apply cement sparingly, but evenly over the entire surface, leave no bare spots.

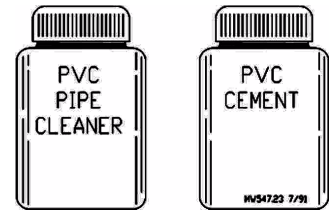


Figure 1.PVC Cement (Part No. 6303-4)

### Lubrication

#### Acceptable Lubrication:

- Plain water or light dish soap and water mixture may be used to lubricate the inside of the coupling, mid line air breather or slope compensator assemblies.
- Silicone oil based Parker Super O-Lube (available through Chore-Time part number 45911) may be used to lubricate the inside of the coupling, mid line air breather or slope compensator assemblies. **Note: Very little (thin film) of this product is needed to provide necessary lubrication.**

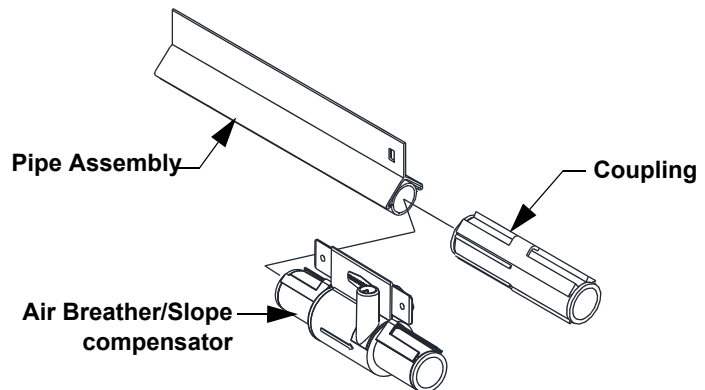


Figure 2.Lubrication

#### Unacceptable Lubrication:

- DO NOT use petroleum based Parker O-Lube Product!** Only the Parker Silicone oil based Parker Super O-Lube is acceptable.
- DO NOT use silicone spray!** These may have petroleum based properties that may damage water line components.
- DO NOT use any petroleum based product!** This would include, but is not limited to, items such as Vaseline, WD 40, motor oil, ect.
- DO NOT use vegetable or any other similar oil!** This would include, but is not limited to, sunflower oil, peanut oil, coconut oil, linseed oil, corn oil, ect.

#### Important!

**Use of any lubricant during installation, other than those approved by Chore-Time, will void the manufactures warranty.**

## Water Line Installation

Note: Only install bottom tier watering lines every other Cage Row.

### Bottom Tier Starter Pipe at the Regulator End

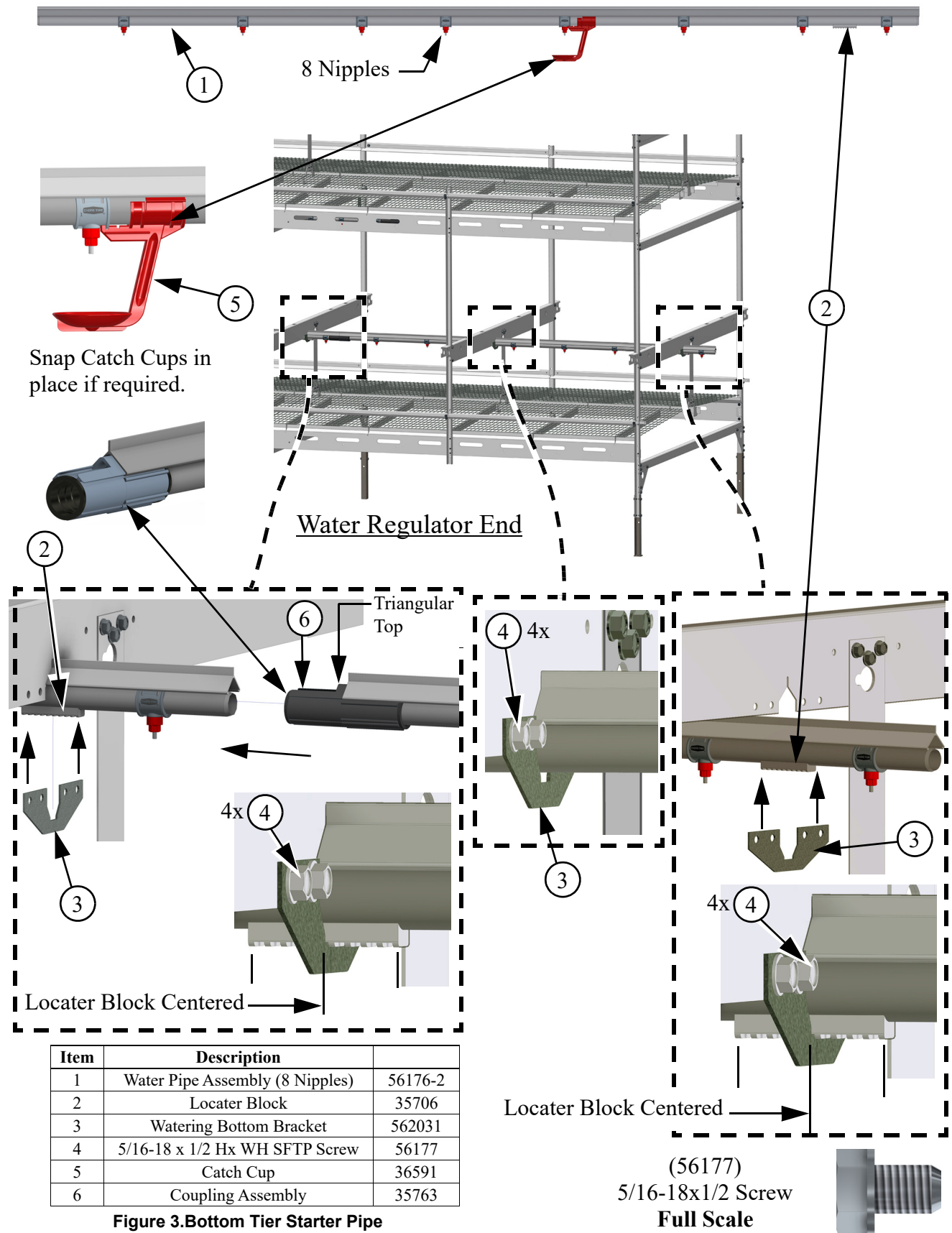


Figure 3. Bottom Tier Starter Pipe



### Second Tier Starter Pipe at Water Regulator End

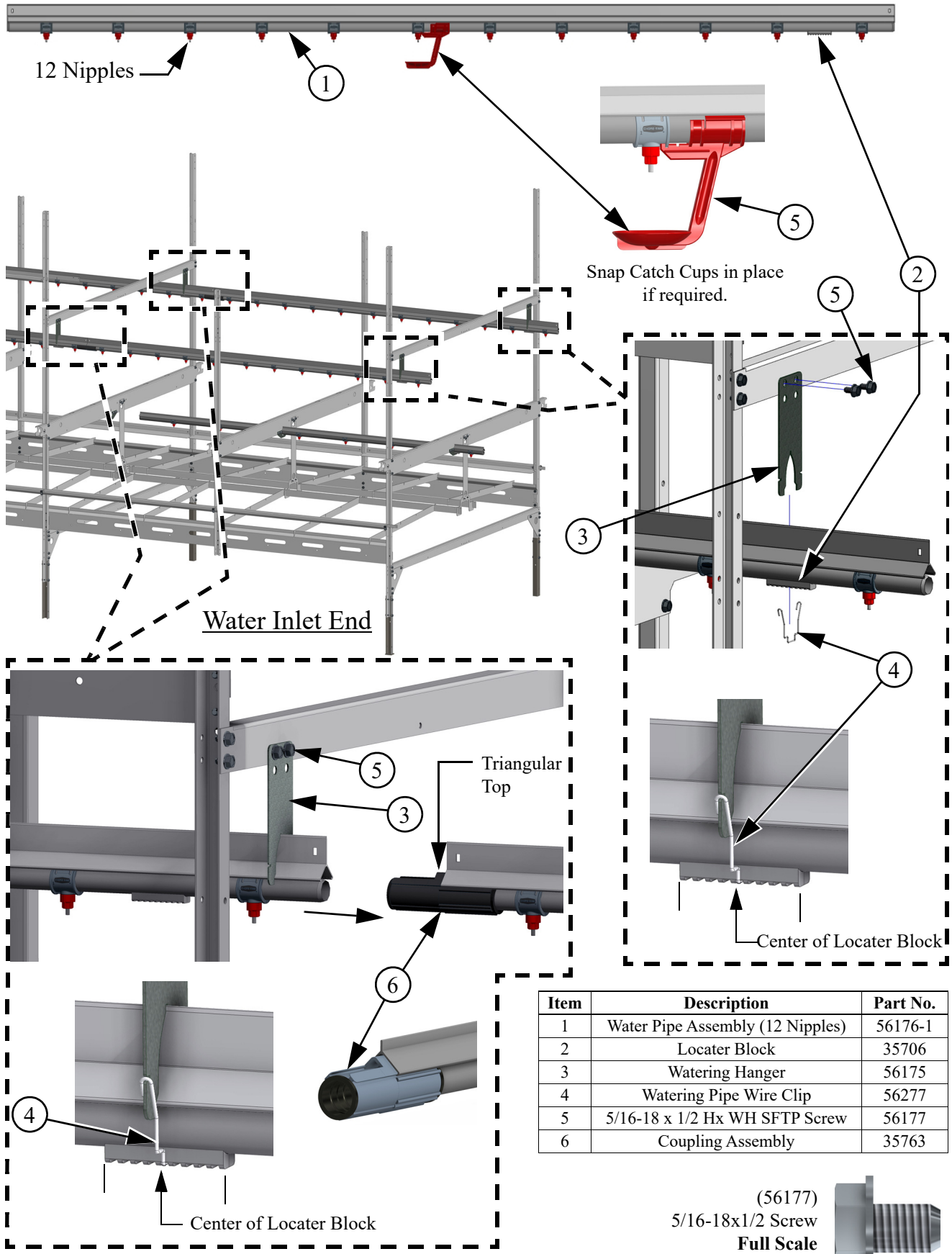
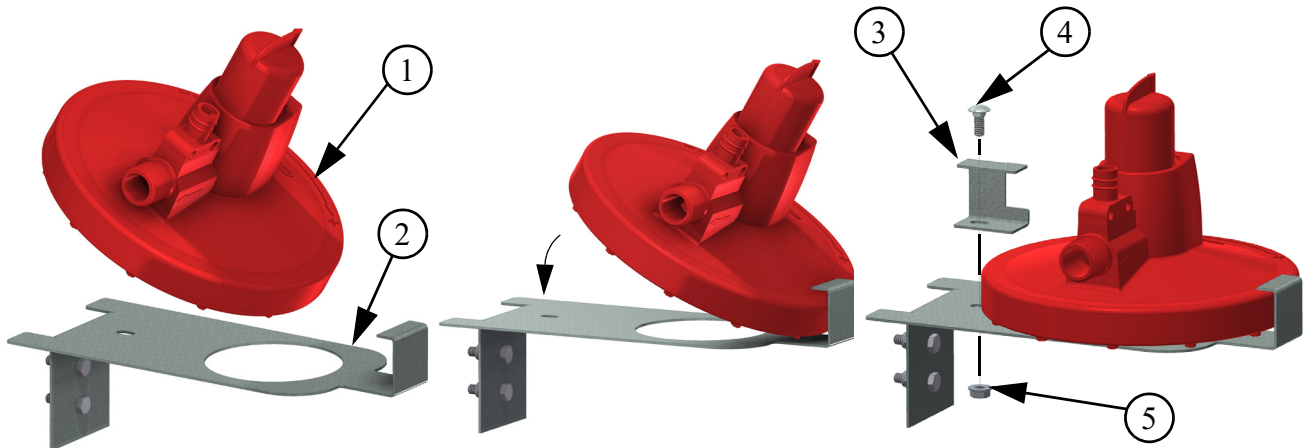


Figure 4. Starter Pipe (Second Tier)

## Regulator Installation

### Regulator Support Assembly



Item	Description	Part No.
1	Regulator Assembly	52280-0
2	Regulator Support	54424
3	Regulator Clamp	53862
4	1/4-20 Carriage Bolt	7550-1
5	1/4-20 Flange Nut	46460

#### Hardware Full Scale

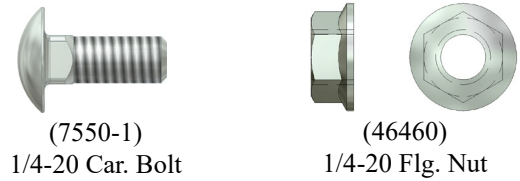
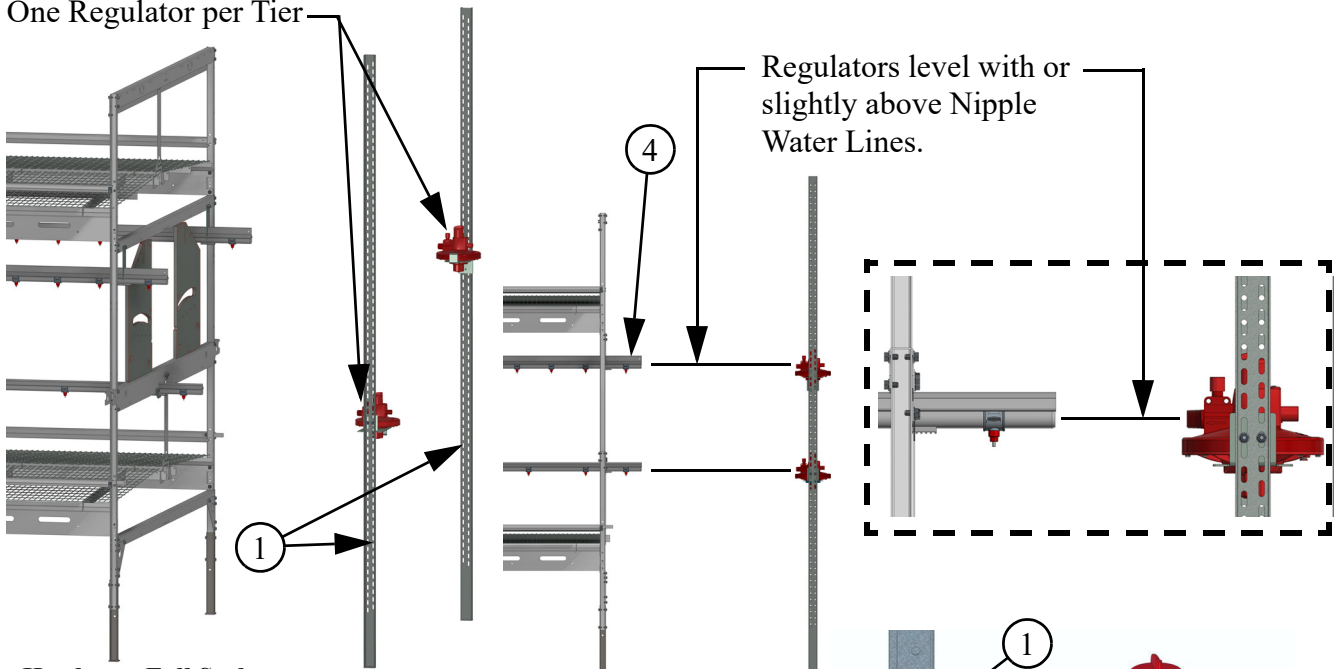


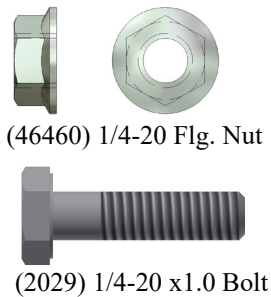
Figure 5.Regulator Support Assembly

## Attaching Regulators

One Regulator per Tier

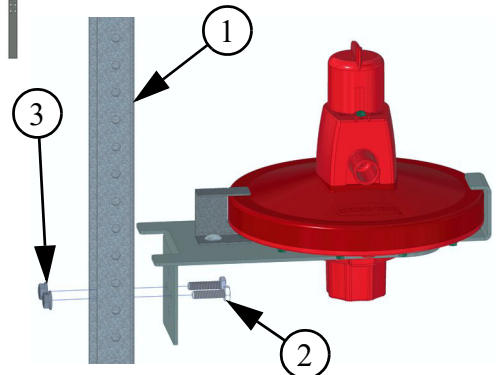


#### Hardware Full Scale



Item	Description	Part No.
1	Idler Leg	101301
2	1/4-20 x 1 Bolt	2029
3	1/4-20 Ser. Flg. Nut	46460
4	Starter Pipe (Inlet End)	Varies

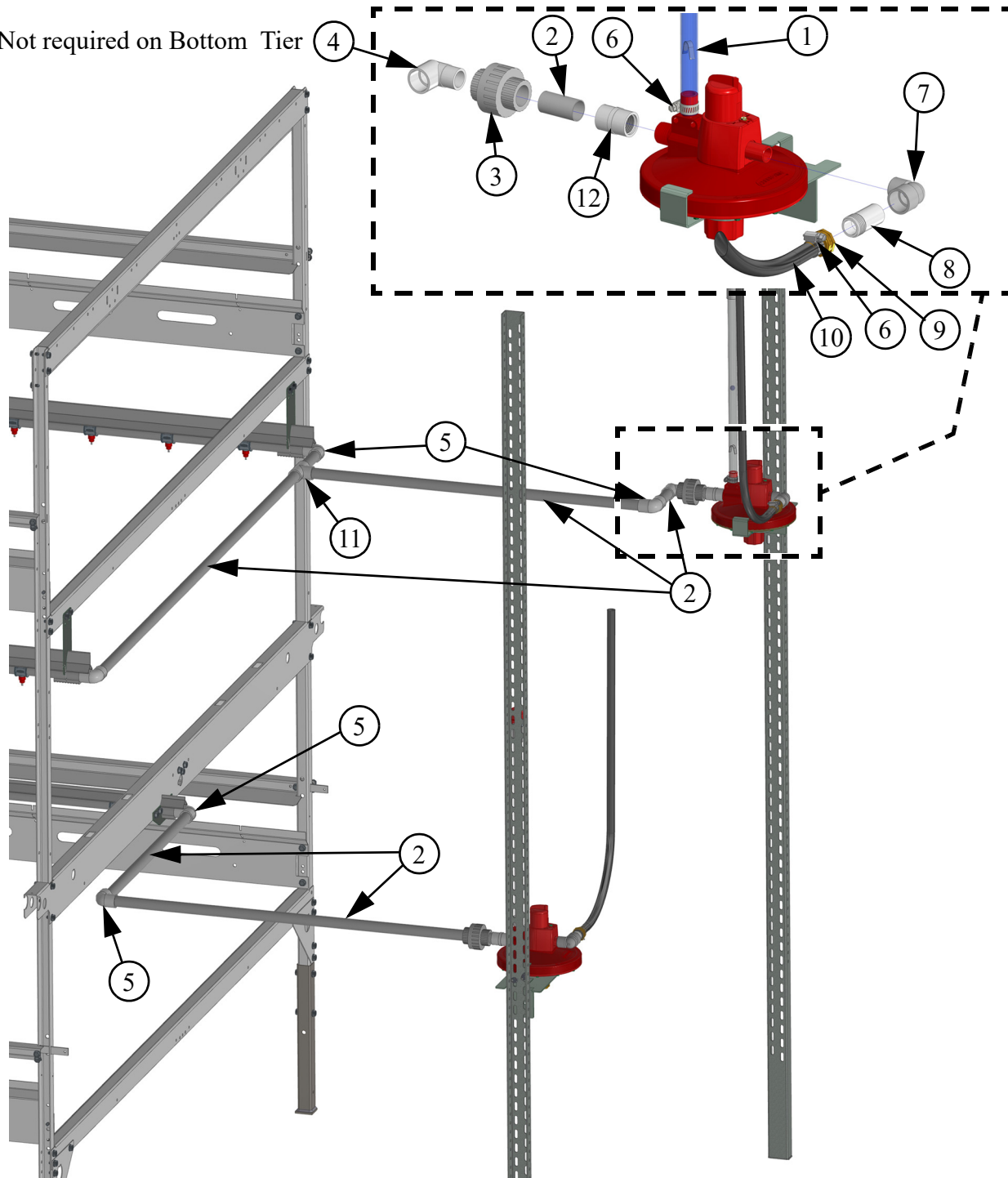
Figure 6.Attaching Regulators



### Plumbing Regulators to Starter Pipe

See “Proper Pipe Cutting and use of PVC Cement” on page 7 for proper cutting and gluing instructions.

Not required on Bottom Tier



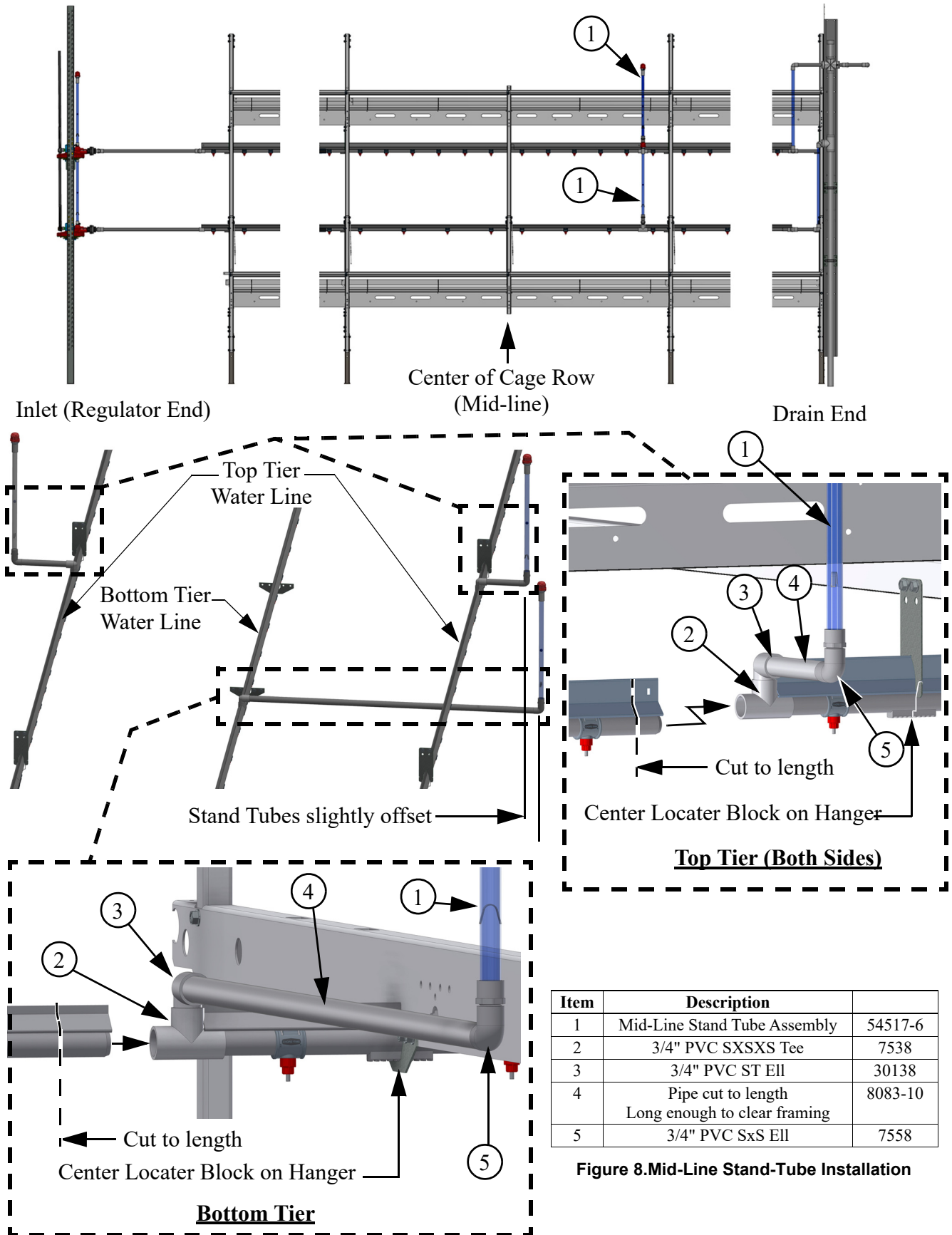
Item	Description	
1	Stand Tube Assembly	54517-4
2	Pipe (Cut to length)	8083-10
3	Union	8137
4	.75 PVC ST Ell	30138
5	.75 PVC SxS Ell	8141
6	Adjustable Hose Clamp	7187

Item	Description	
7	3/4" x 1/2" PVC Ell	8074
8	.75-11.5 NH Male Adapter Fitting	25098
9	3/4 Female Swivel Fitting	50401
10	3/4" I.D. Rubber Hose	47820-X
11	3/4" PVC SXSXS Tee	7538
12	3/4" PVC Female Adapter	8160

Figure 7. Inlet End Plumbing

### Mid-line Stand Tube Installation

1. Install Mid-Line Stand Tubes on each Water Line as shown in plumbing diagrams below.
2. Be sure to properly deburr the end of the pipes to prevent damage.

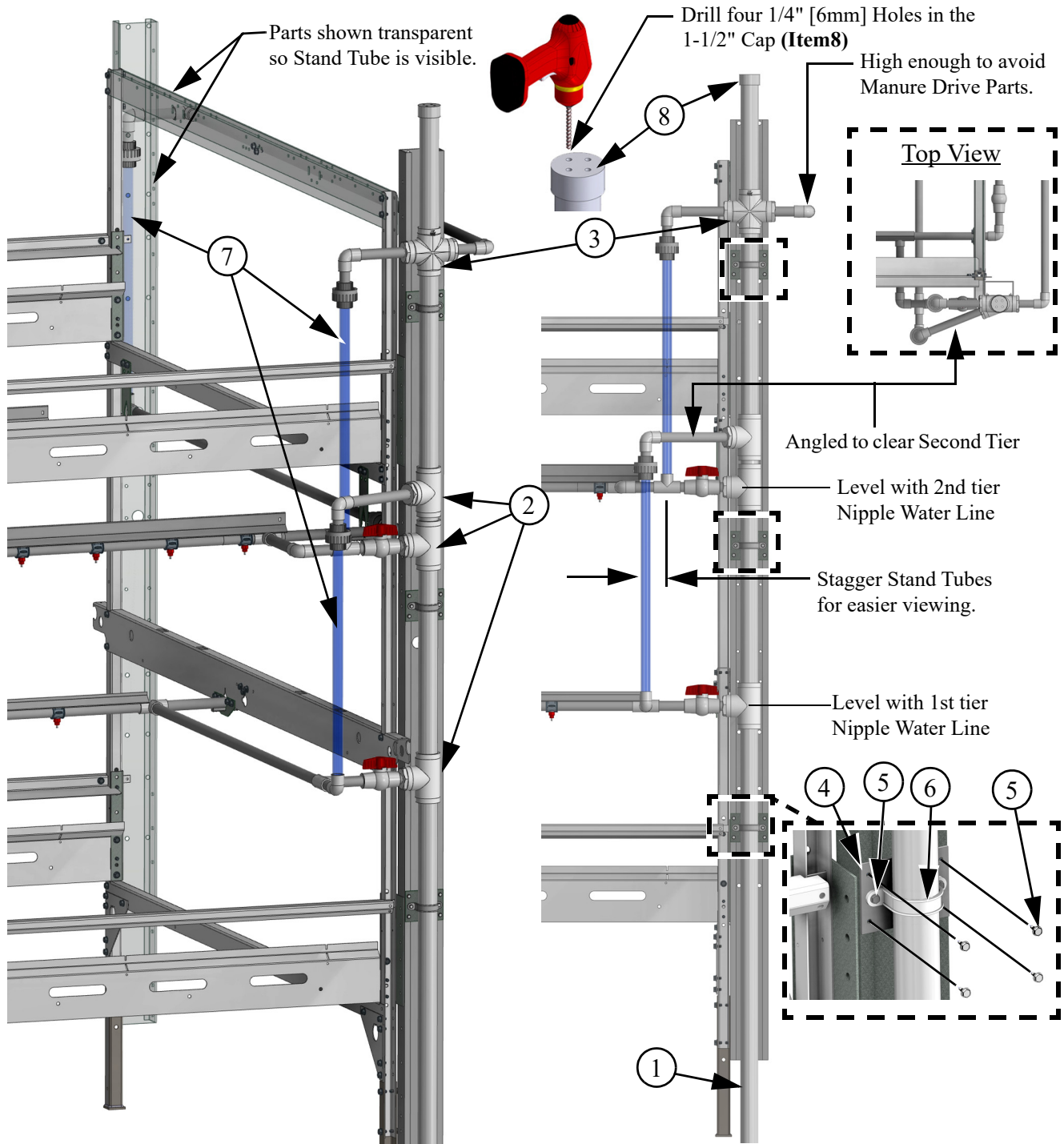


Item	Description	
1	Mid-Line Stand Tube Assembly	54517-6
2	3/4" PVC SXSXS Tee	7538
3	3/4" PVC ST Ell	30138
4	Pipe cut to length Long enough to clear framing	8083-10
5	3/4" PVC SxS Ell	7558

Figure 8. Mid-Line Stand-Tube Installation

### Drain Line (Flush End) Assembly

Parts are provided for proper draining of the system as shown. See **Figure 10. on page 14** & **Figure 11. on page 15** for details.



Hardware Full Scale



(3037) #10 x 1/2" Screw

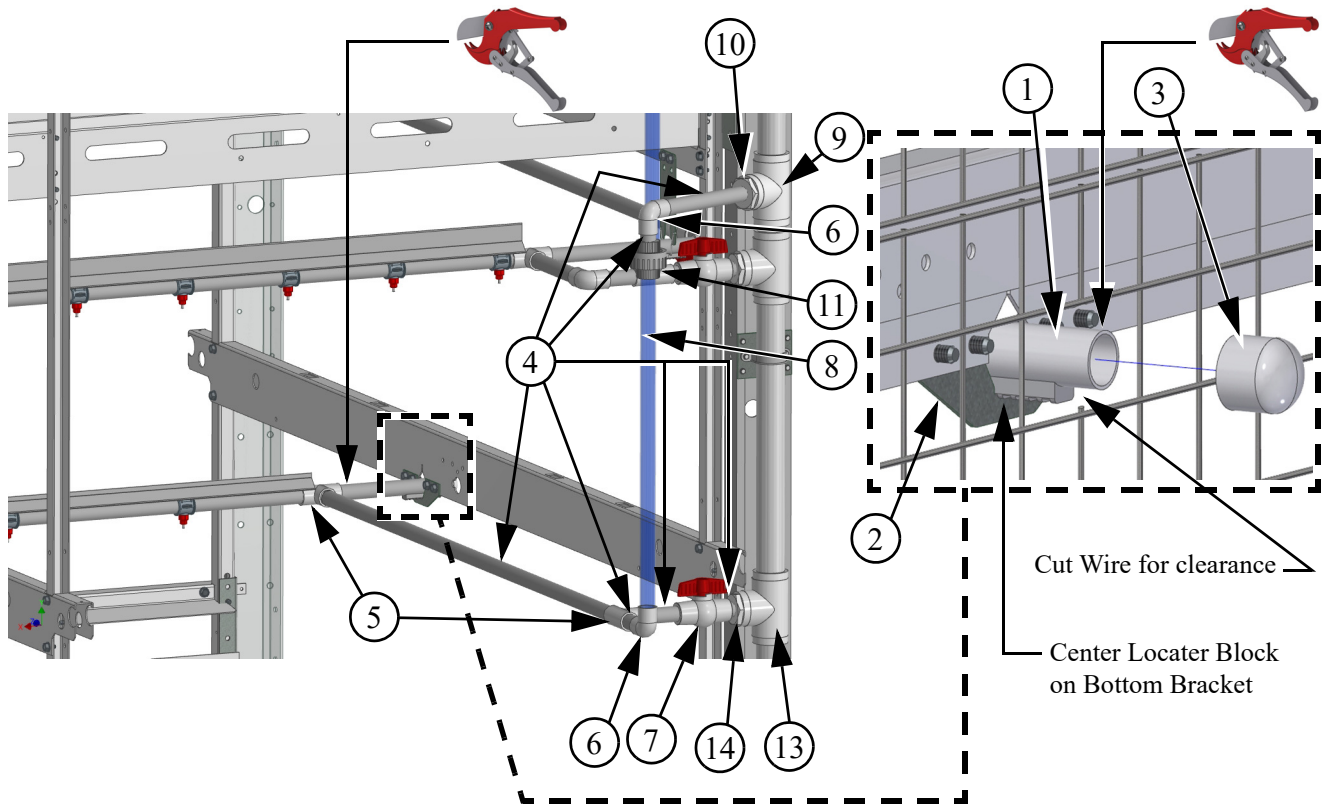
Item	Description	
1	1.5" x 10' PVC Pipe	38296
2	1.5" SxSxS PVC Tee	38618
3	1.5" PVC Cross	38295
4	Watering Drain Pipe Plate	56384
5	#10 x 1/2 Self Drilling Screw	3037
6	1.5" Plastic Conduit Clamp	35301-1
7	3/4 PVC Clear Pipe	29153-4
8	1.5" PVC Cap	38498

Figure 9. Drain Line (Flush End)



### Bottom Tier Drain Plumbing

1. See “**Proper Pipe Cutting and use of PVC Cement**” on page 7 for proper cutting and gluing instructions.
2. Install a Nipple Line End Section (**Item 1**) with the Locator Block centered on the last Bottom Bracket (**Item 2**) as shown. Cut the Nipple Line End off and install a Cap (**Item 3**).
3. Install a 3/4" Clear Pipe (**Item 8**), 3/4" PVC Union (**Item 11**) and 3/4" Ball Valve (**Item 7**) as shown.



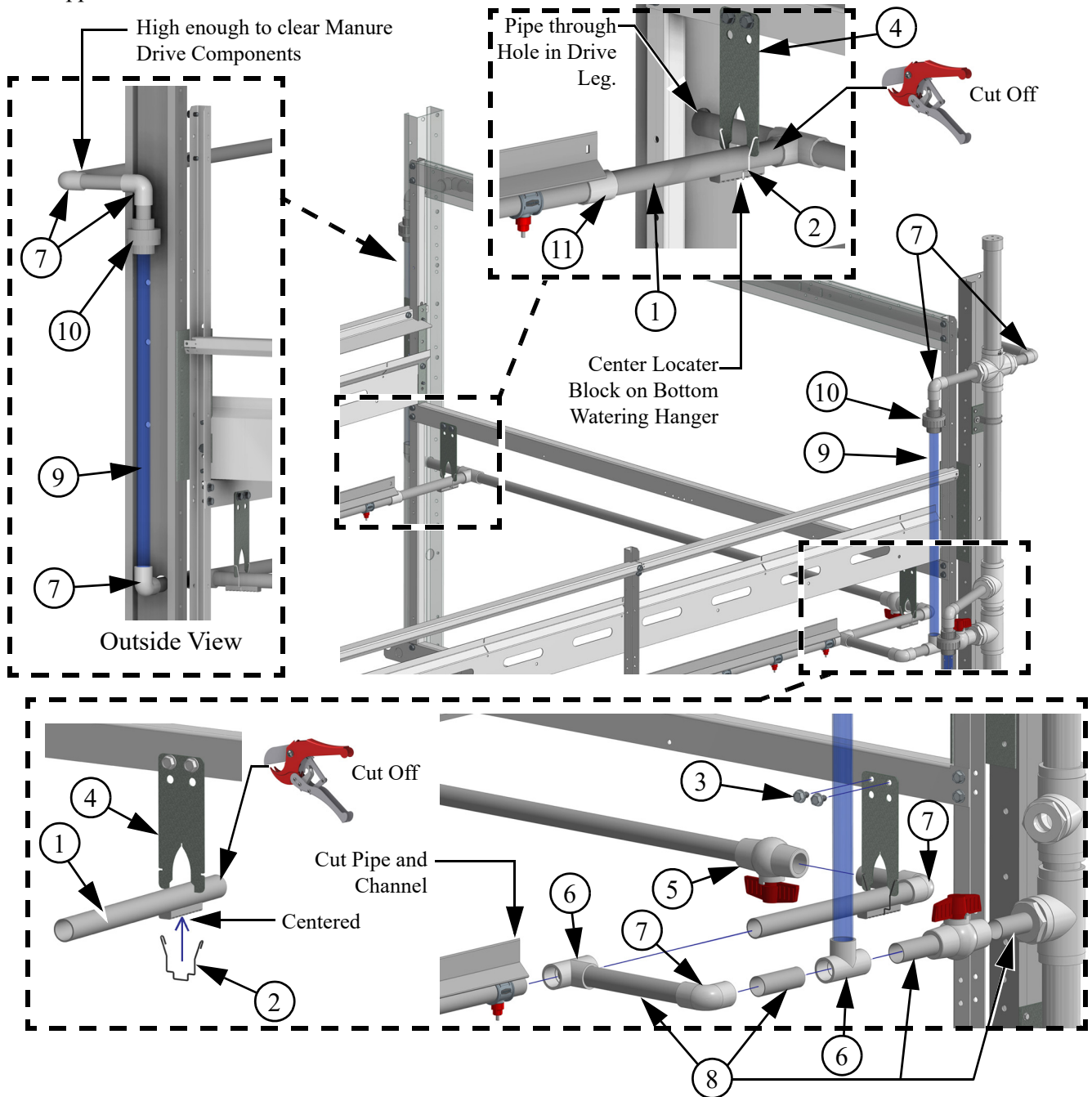
Item	Description	
1	Nipple Line End Section	51796-1
2	Volito™ Watering Bottom Bracket	56203
3	3/4" PVC Cap	8050
4	3/4" PVC Pipe (cut to desired length)	8083-10
5	3/4" PVC SXSXS Tee	7538
6	.75 PVC SxS Ell	8141
7	3/4" Ball Valve	34728
8	3/4" PVC Clear Pipe	29153-4
9	1-1/2" PVC Tee	38618
10	Reducer Bushing	36808
11	3/4" PVC SxS Union	8137

Figure 10. Bottom Tier Drain Plumbing

## Second Tier Drain Plumbing

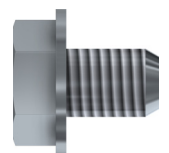
See “Proper Pipe Cutting and use of PVC Cement” on page 7 for proper cutting and gluing instructions.

1. Install Nipple Line End Sections (Item 1) using Watering Pipe Wire Clips (Item 2) while centering Locator Blocks on Watering Hangers (Item 4) as shown.
2. Install a 3/4" Ball Valve (Item 5), 3/4" PVC Coupling (Item 10), and 3/4" Clear Pipe (Item 9) for each Nipple Water Line as shown.



Item	Description	
1	Nipple Line End Section	51796-1
2	Watering Pipe Wire Clip	56277
3	5/16-18 x 1/2 Hx WH Bolt	56177
4	Watering Hanger	56175
5	3/4 Ball Valve	34728
6	3/4" PVC SXSXS Tee	7538

Item	Description	
7	.75 PVC SxS Ell	8141
8	Pipe cut to length Long enough to clear framing	8083-10
9	3/4 PVC Clear Pipe	29153-4
10	3/4" PVC SxS Union	8137
11	3/4" PVC Coupling S x S	7775



(56177)  
5/16-18x1/2 Screw  
Full Scale

Figure 11. Second Tier Drain Plumbing

## Filter Control Panel Installation

The filter control panel is used to remove foreign material from the incoming water, and, if necessary, add medication to the water.

The step down regulator and gauge assembly is used to reduce the water pressure supplying the filter control panel. The filter control panel and step down regulator should be installed in a convenient location where incoming and outgoing water supply lines can be easily run. The control panel must be out of the reach of birds.

The filter control panel is shipped secured to a mounting board. The mounting board and filter control panel should be secured to wall or post using lag bolts (not supplied).

The step down regulator and gauge assembly is shipped un-assembled. Assemble the step down regulator and gauge assembly components as specified in the instruction (MW1052) shipped with the kit.

Connect the step down regulator and gauge assembly to the filter control panel, as shown in **Figure 17**.

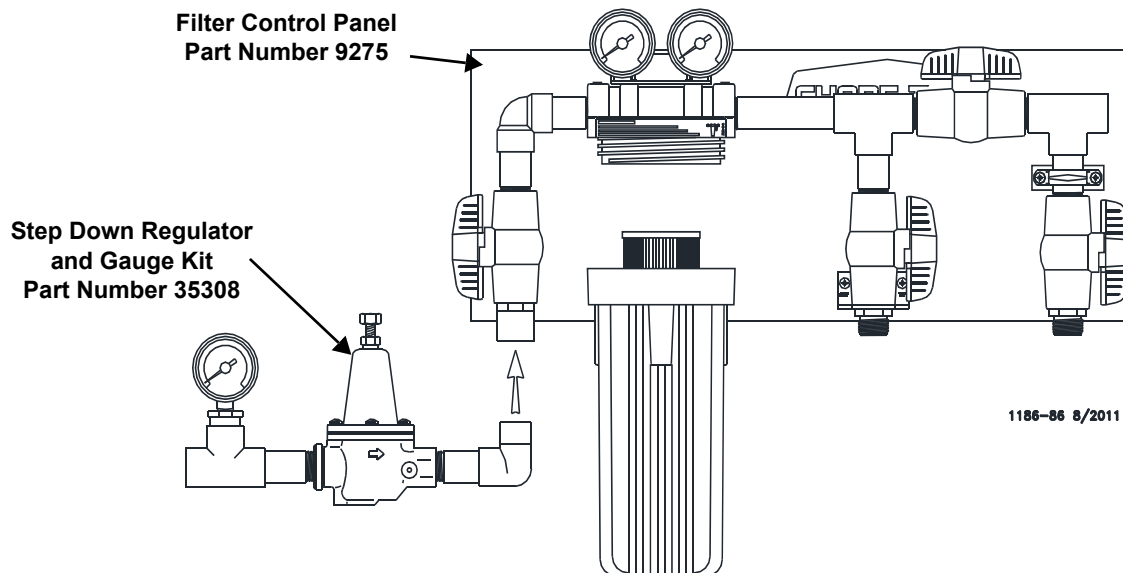


Figure 12. 9275 Control Panel



# Flushable Filter Control Panel Installation

## (Optional alternative to the standard filter control panel)

The flushable filter control panel is used to remove foreign material from the incoming water, and, if necessary, add medication to the water. This control panel features a filter that may be flushed, removed, cleaned, then reinstalled.

Two versions of the filter control panel are available.

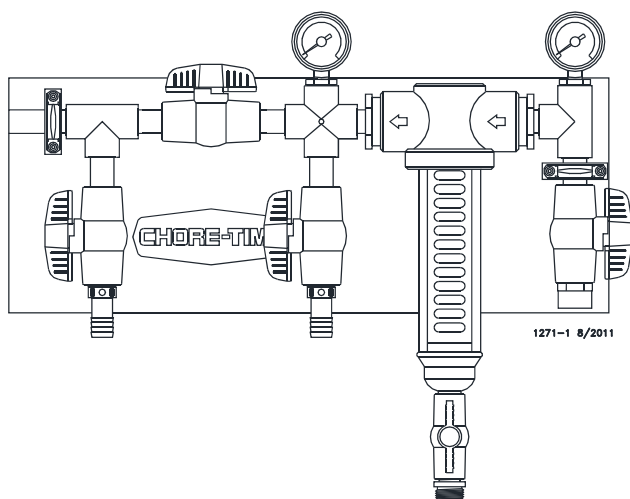
The low pressure version is designed to accommodate gravity flow systems with 5 - 10 p.s.i. [34.5 - 69.0 kPa]. Do not exceed 15 p.s.i. [103.4 kPa] with this control panel, or damage will occur to the gauges.

Systems with 11+ p.s.i. [75.8+ kPa] should use the high pressure control panel. For systems above 35 psi, order a step down regulator.

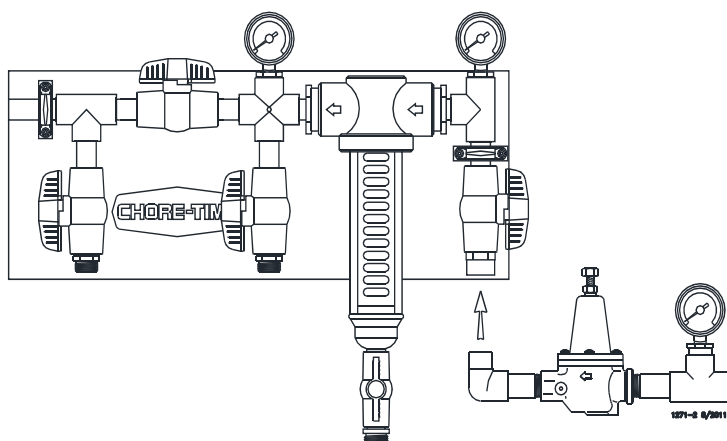
The filter control panel should be installed in a convenient location where incoming and outgoing water supply lines can be easily run. The control panel must be out of the reach of birds.

The filter control panel is shipped secured to a mounting board. The mounting board and filter control panel should be secured to wall or post using lag bolts (not supplied).

The gauge assembly is shipped un-assembled. Assemble the gauge assembly components as specified in the instruction (MW1052) shipped with the kit.



**Low Pressure Control Panel  
Part Number 36802-1  
(5-10 p.s.i. [34.5 - 69.0 kPa])**



**High Pressure Control Panel  
Part Number 36802-2  
(11+ p.s.i. [75.8+ kPa])**

Figure 13. Optional Control Panels

# Maintenance

## Regulator Seat Replacement

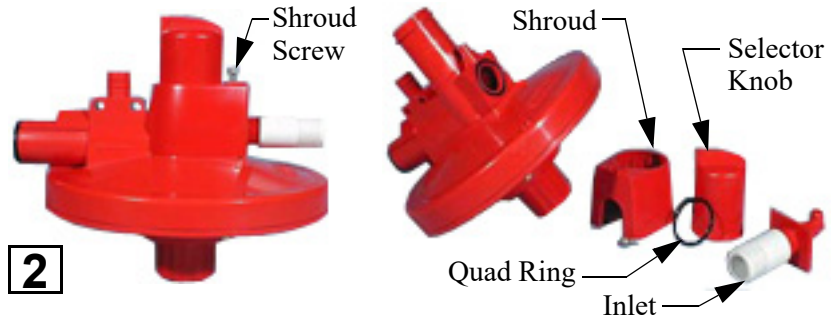
Follow the procedures below to replace the regulator seat.

1. Shut off water to the regulator and remove it from the nipple line.
2. Remove the screw holding the shroud. Also remove the shroud, selector knob, quad ring, and inlet orifice.
3. Screw barrel all the way down.
4. Pry off seat and seat cup then remove from the regulator body.



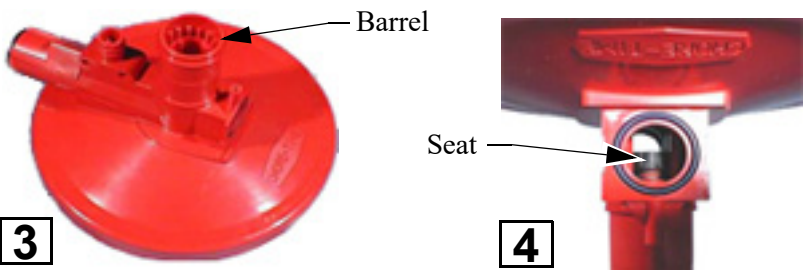
1

5. Assemble new seat into seat cup.  
Seat face direction does not matter.
6. Use the Chore-Time seat installation tool to position the new seat assembly on top of the seat holder.



2

7. Press up on the seat holder and use the seat installation tool (48688) to push the new seat assembly onto the end of the seat holder until it snaps in place. Push only on the seat cup to prevent damage to the seat. Make sure the seat assembly is properly seated onto the seat holder.

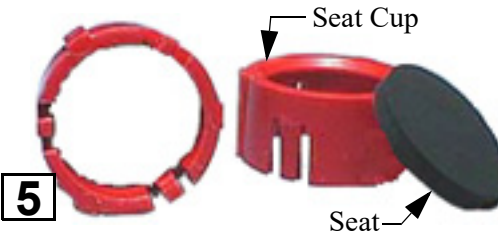


3

4

8. Reassemble the regulator:

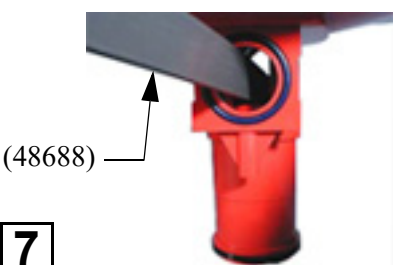
- Assemble quad ring on the housing shoulder. Turn the barrel up until it is flush with the top of the housing. The barrel **must be flush** with the top before replacing the selector knob or the regulator will not function properly.
- Replace the selector knob by lining up the wide tab in the barrel with the wide groove inside the selector knob.
- Make sure the o-ring is in place and reinstall the inlet into the regulator housing.
- Use Parker Hannifin Super o-lube (45911) to lube o-rings if needed.
- Replace the shroud and shroud screw.
- The regulator is now ready to be put back into service.



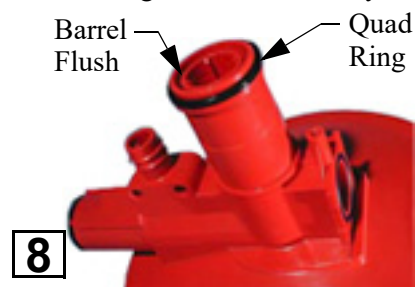
5



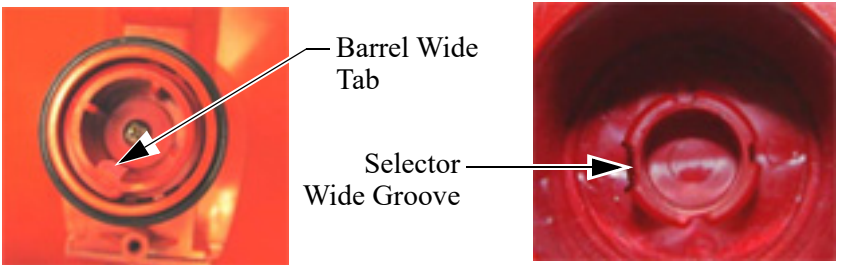
6



7



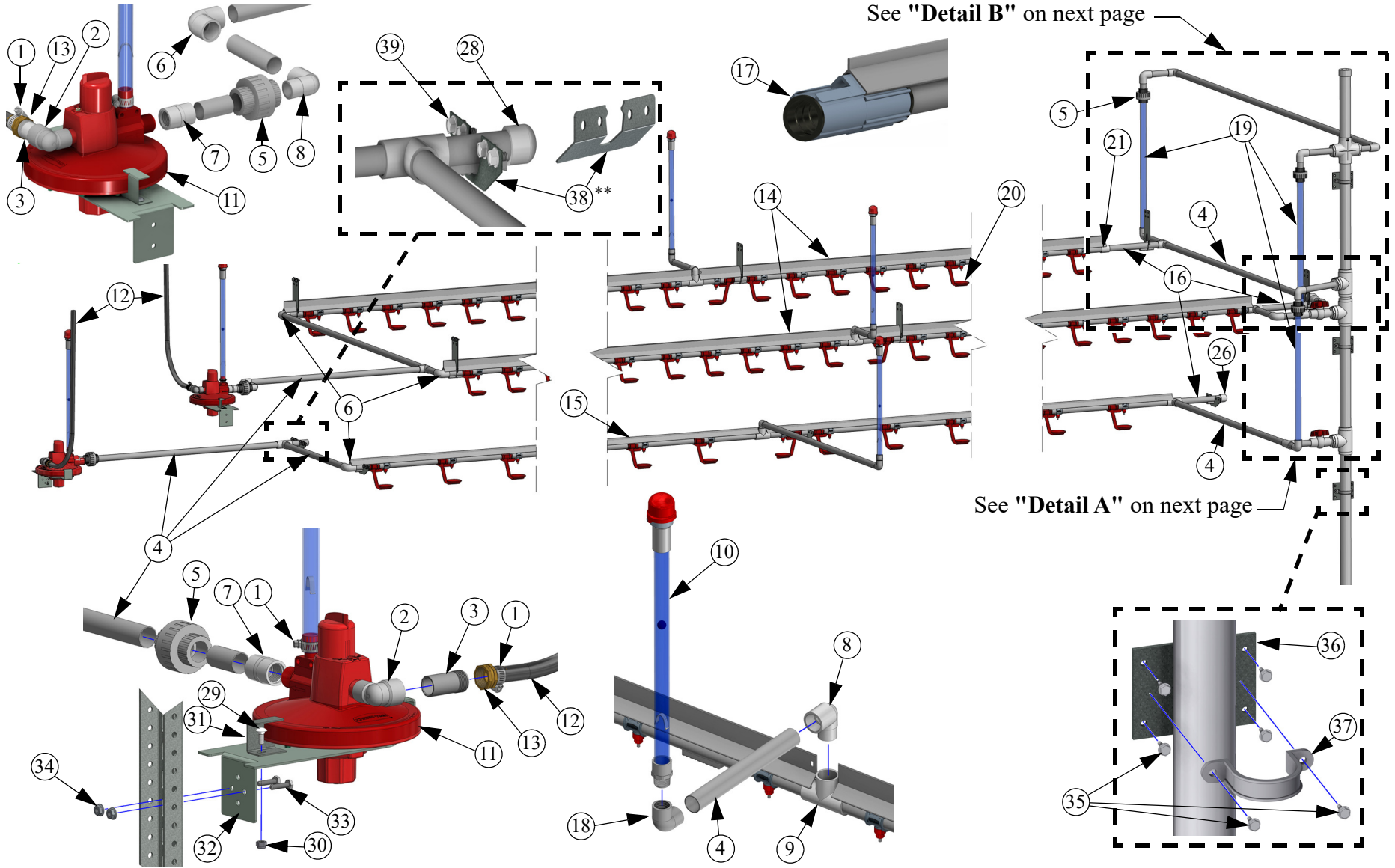
8

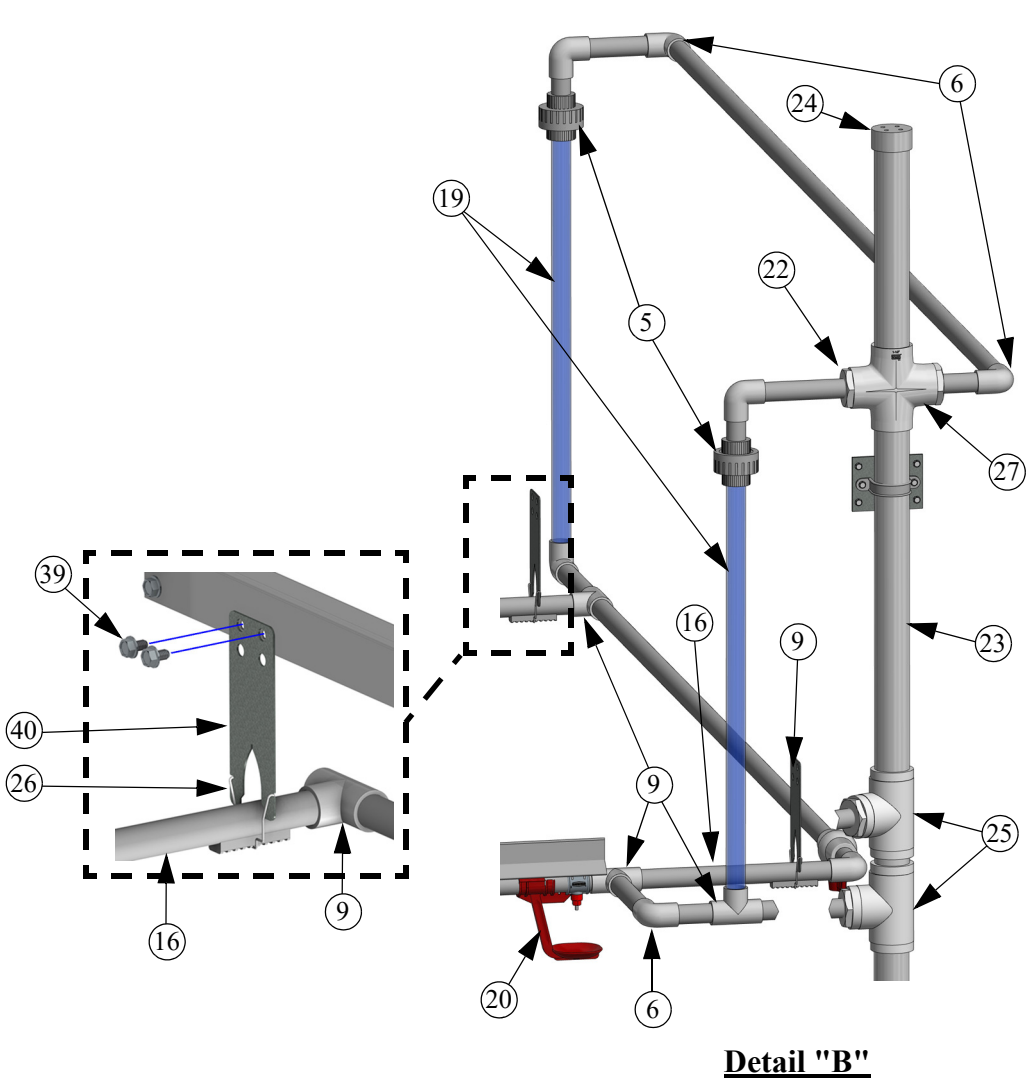


**This page left blank intentionally....**

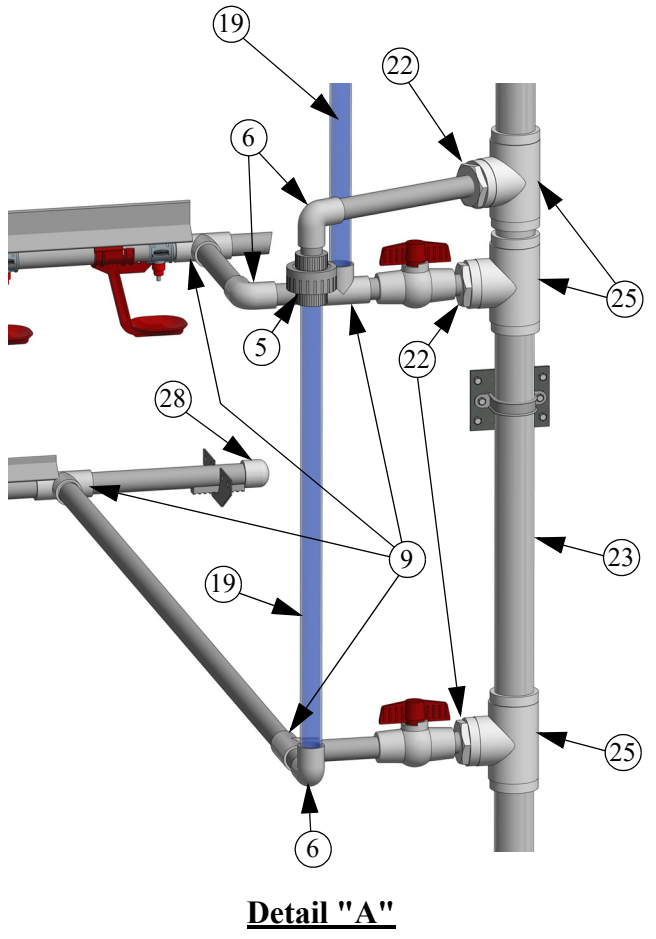
# Parts Listing

## Waterline Parts





**Detail "B"**

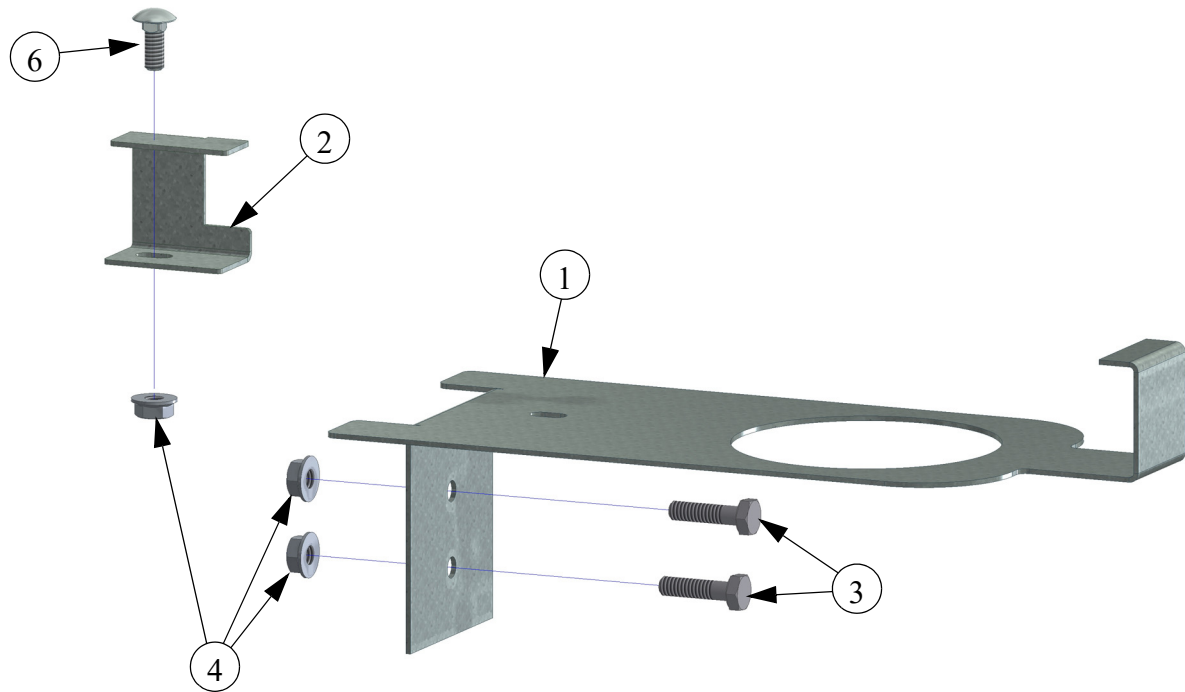


**Detail "A"**

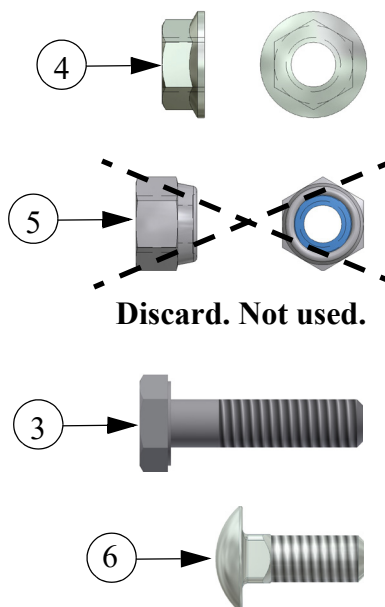
Water Line Parts		
Item	Description	Part No.
1	Adj. Hose Clamp	7187
2	3/4 x 1/2 SxS PVC Ell	8074
3	3/4 Male Adapter Fitting	25098
4	3/4 x 10' PVC SDR Pipe	8083-10
5	Union	8137
6	3/4 PVC Ell	8141
7	3/4 PVC Female Adapter	8160
8	3/4 PVC ST Ell	30138
9	3/4 PVC SXSXS Tee	7538
10	Rigid Stand Tube with adapter	54517-6
11*	3/4 FPT Cage Water Regulator	55476-5
12	3/4" I.D. Rubber Hose (50') [15.24m]	47820-50
	3/4" I.D. Rubber Hose (100') [30.48m]	47820-100
	3/4" I.D. Rubber Hose (200') [60.96m]	47820-200
13	3/4 Swivel Fitting	50401
14	Volito™ Layer Flow Watering Pipe Assembly (7.65" O.C. 94.49")	56176-1
	Volito™ Layer Flow Watering Pipe Assembly (7.65" O.C. 94.49") w/Button	56176-B
15	Volito™ Layer Flow Watering Pipe Assembly (12.75" O.C. 94.49")	56176-2
	Volito™ Layer Flow Watering Pipe Assembly (12.75" O.C. 94.49") w/Button	56176-2B
16	Nipple Pipe End Section	51796-1
17	Coupling Liner Assembly	35763
18	3/4 SxTH PVC Ell	7558
19	3/4 x 24" PVC Clear Pipe	29153-4
20	Catch Cup	50250
21	3/4 PVC S x S Coupling	7775
22	1.5 x .75 Reducer Bushing	36808
23	1.5x10ft Pvc Sch40 Pipe	38296
24	1.5 PVC Cap	38498
25	1.5 PVC Tee	38618
26	Volito™ Watering Pipe Wire Clip	56277
27	1-1/2 PVC Cross	38295
28	3/4 Cap	8050
29*	1/4-20 x .5 Bolt	7550-1
30*	1/4-20 Flange Nut	46460
31*	Regulator Support Clamp	53862
32*	Extended Regulator Support	54424
33*	1/4-20 x 1.0 HH5 Bolt	2029
34*	1/4-20 Locknut	1269
35	1/4 Self Tapping Screw	3037
36	Watering Drain Pipe Plate	56384
37	1.5" Plastic Conduit Clamp	35301-1
38**	Watering Bottom Bracket	56203
	Watering Bottom Bracket w/Bent Flange (For systems with wider spread Cage Legs)	56203-1
39	5/16-18 x .5 Bolt	56177
40	Volito™ Watering Hanger	56175
41		

\*Parts included in Water Regulator Kit part no. 54536-X

### Water Regulator Kit (54536)

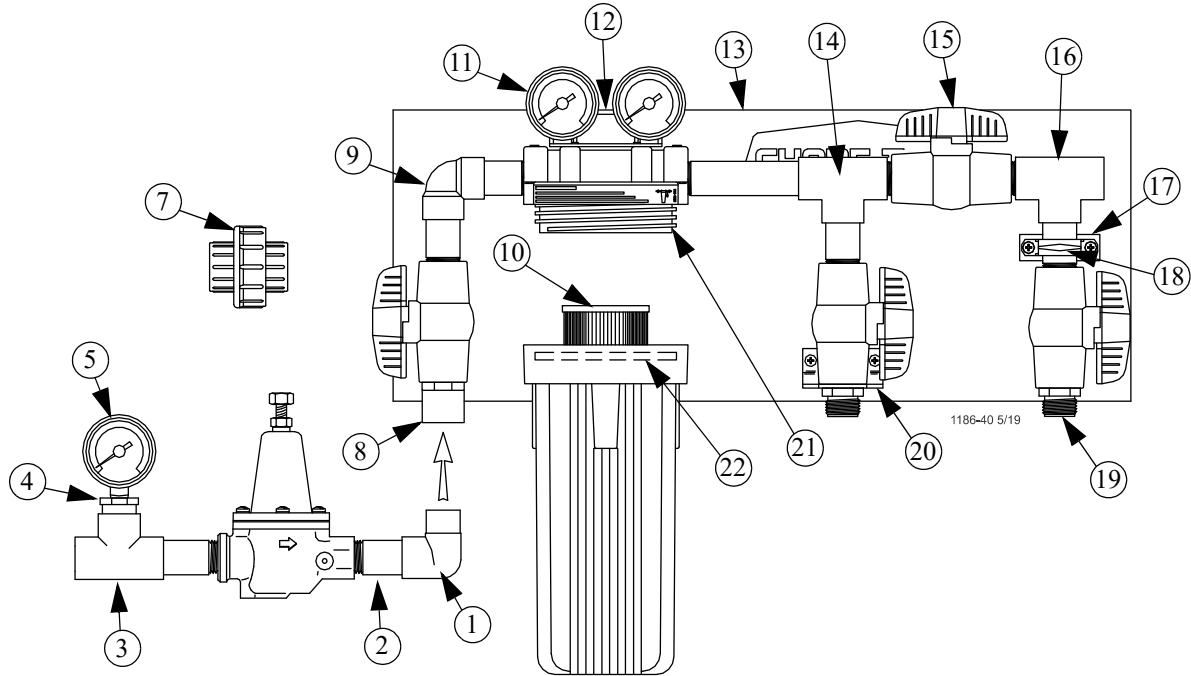


Water Regulator Kit		
Item	Description	Part No.
1	MMB BG Regulator Support	54424
2	MMB BG Regulator Clamp	53862
3	1/4-20 x 1 Bolt	2029
4	1/4-20 Serrated Flange Nut	46460
5	1/4-20 Ny Lock Nut <b>(Discard, Not used)</b>	1269
6	1/4-20 x .50 Car. Bolt	7550-1





### Filter Control Panel with Step Regulator

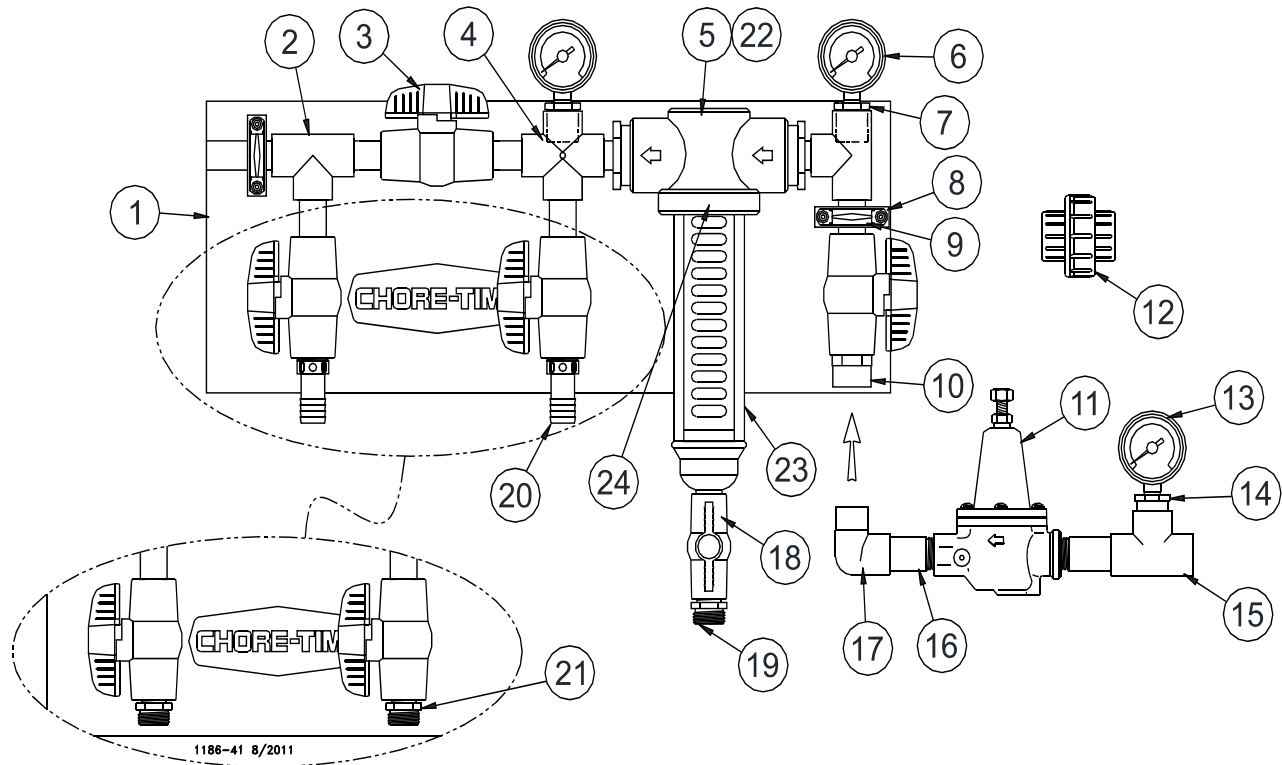


35308 Step Regulator & Gauge Module Kit		
Item	Description	Part No.
1	3/4" PVC Street Ell	30138
2	3/4" Threaded PVC Nipple	7531-1
3	3/4" PVC Tee	7538
4	3/4 x 1/4 Reducer Bushing	7789
5	High Press. Water Gauge	7191
6	Regulator	29951
7	Union	8137

Filter Control Panel			
		9275	9275-1 w/Clear Filter
Item	Description	Part No.	
8	3/4" PVC Male Adapter	34100	34100
9	3/4" PVC Ell	8141	8141
10	10 Micron Filter Cartridge (Optional)	13145	13145
	20 Micron Filter Cartridge (Standard)	7723	7723
11	High Press. Water Gauge	7191	7191
12	Filter Mounting Bracket	35302	35302
13	Mounting Board	35303	35303
14	Filter Outlet Assembly	35304	35304
15	3/4" Quarter Turn Valve	35781	35781
16	Medicator Outlet Assembly	35305	35305
17	Standoff Block	35300	35300
18	Plastic Conduit Clamp	35301	35301
19	3/4" Nylon Adapter	7543	7543
20	Medicator Connector Brace	35307	35307
21	Water Filter	35309	35309-1
22	O-Ring	9191	9191



### Flush able Filter Control Panel (36802-1 and 36802-2)

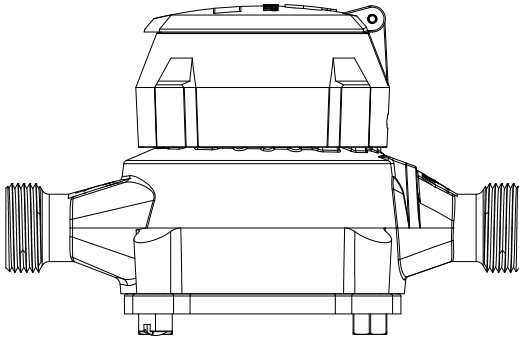


		36802-1	36802-2
Item	Description	Part No	Part No
1	Mounting Board	35303	35303
2	Mediator Outlet Assembly	36805	36805
3	3/4" Valve	35781	35781
4	3/4" Cross	7536	7536
5	Filter Inlet Assembly	36810	36810
6	Pressure Gauge	27722	7191
7	3/4" x 1/4" Reducer Bushing	7789	7789
8	Standoff Block	35300	35300
9	3/4" Plastic Conduit Clamp	35301	35301
10	3/4" PVC Male Adapter	9229	9229
18**	1/2" Ball Valve	34961	34961
19**	Nylon Adapter	29141	29141
20	3/4" Barb x 3/4" Pipe Adapter	27422	---
21	3/4" Male Adapter (Nylon)	---	7543
22	Flush able Filter	36806	36806
23**	Filter Cover	46993	46993
24	O-Ring Kit	36807	36807
**Included with Item 5.			

**35308 Step Regulator & Gauge Module Kit**

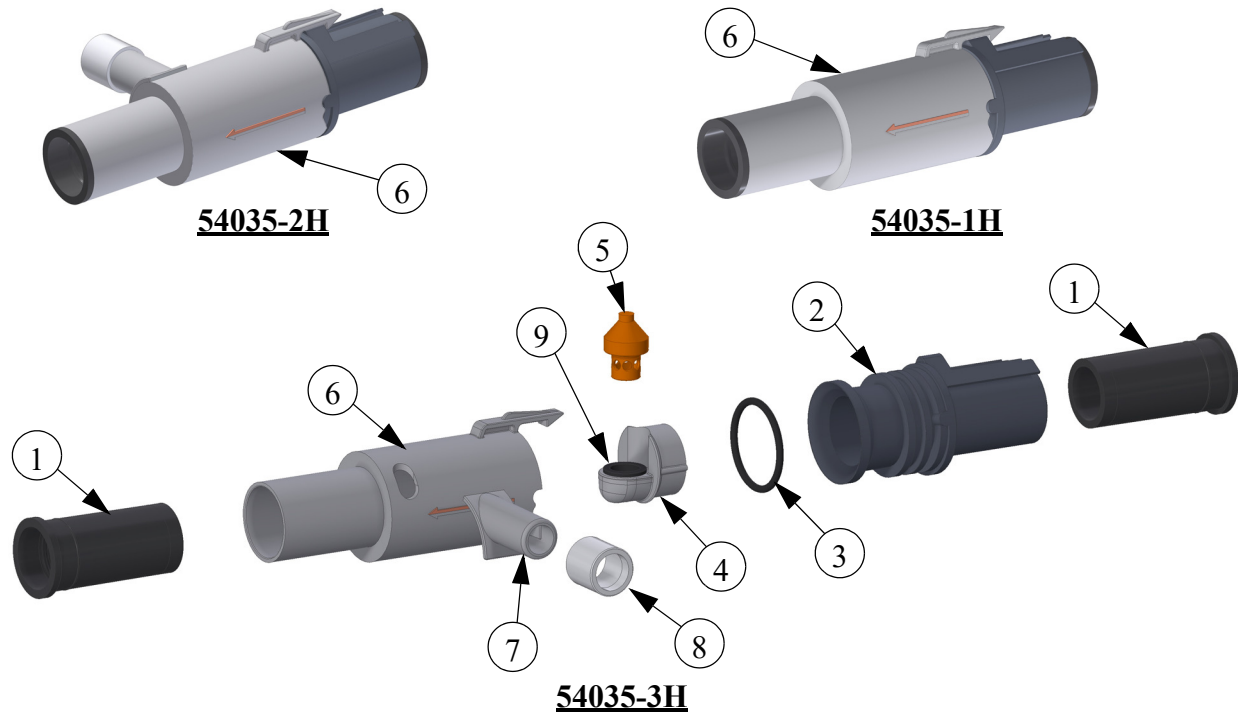
Item	Description	Part No	Part No
11	Step Regulator	29951	---
12	Union	8137	---
13	High Pressure Gauge	7191	---
14	3/4" x 1/4" Reducer Bushing	7789	---
15	3/4" PVC Tee (S x S x S)	7538	---
16	3/4" Threaded PVC Nipple	7531-1	---
17	3/4" PVC Street Ell	30138	---

### Pulse Water Meter (54579)



Part Number	Flow Range	Max. Operating Pressure
54579-GP	.25-25 GPM	150 PSI
54579-LP	.25-25 GPM	150 PSI

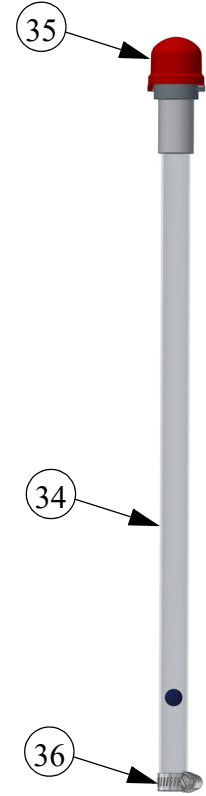
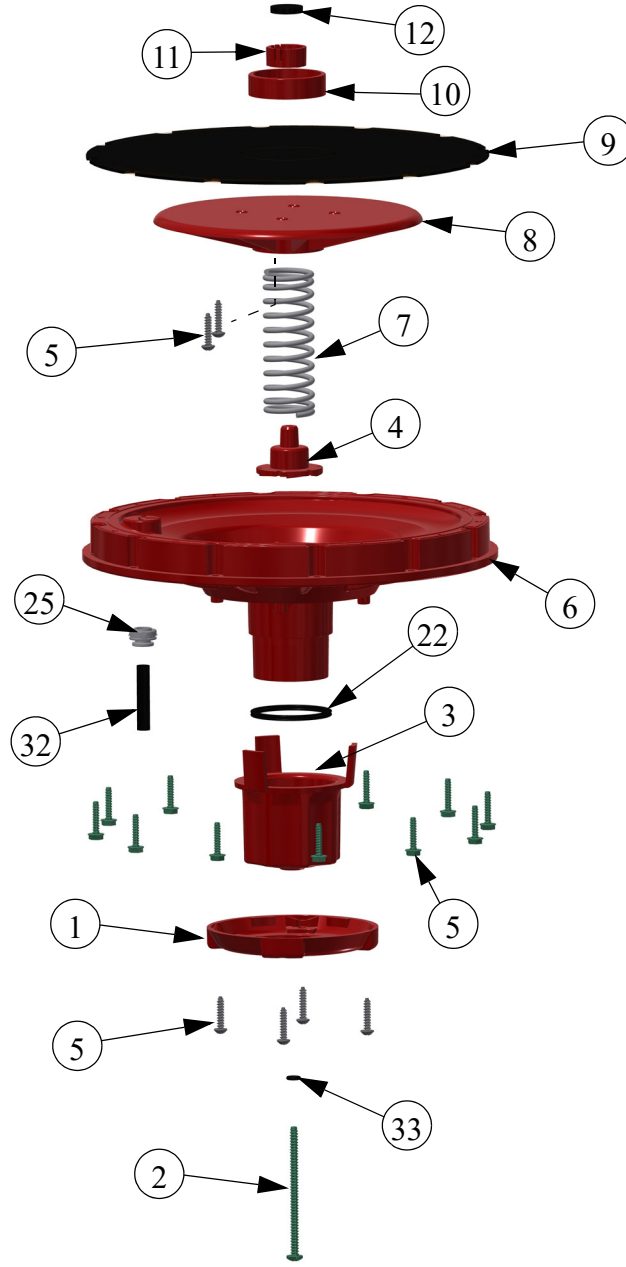
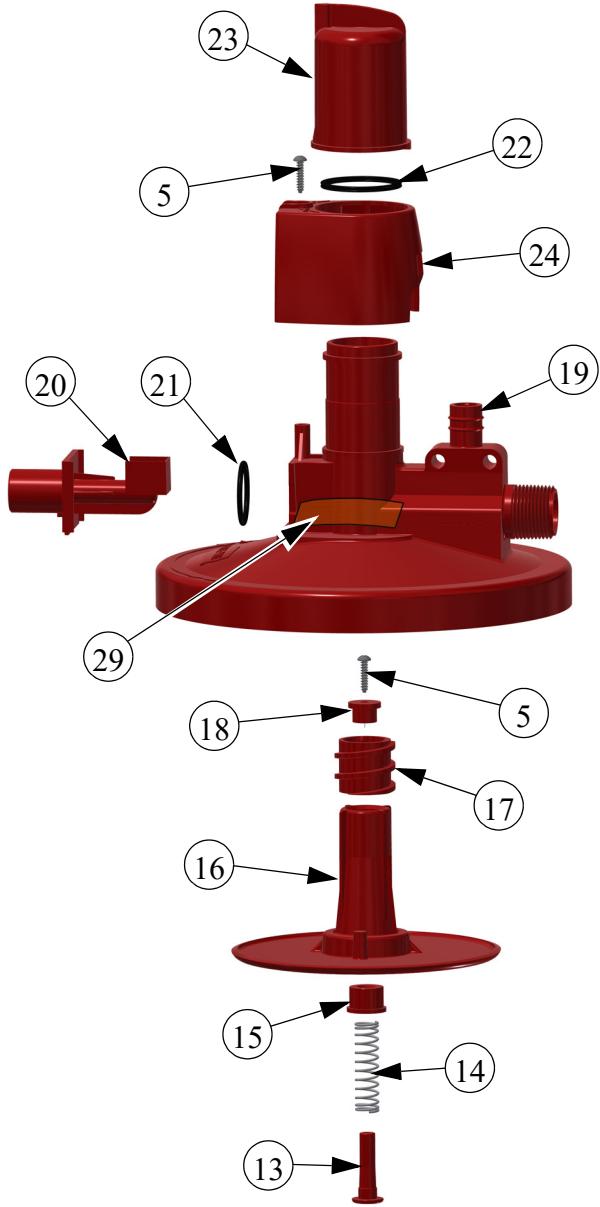
### Slope Compensator (54035)



		54035-1H High Dif. w/o Vent	54035-2H High Dif. w/ Right Vent	54035-3H High Dif. w/Left Vent
<b>Item</b>	<b>Description</b>	<b>Part No.</b>		
1	Half Liner	36501	36501	36501
2	Inlet Compensator	46464	46464	46464
3	O-Ring	44015	44015	44015
4	Slope Compensator Holder	53625	53625	53625
5	Plunger	46451	46451	46451
6	Outlet Compensator	36505-3	36505-6	36505-5
7	Compensator Vent Port	--	37557	37557
8	CTWR Bushing	--	42391	42391
9	Slope Compensator Insert	53624	53624	53624

**This page left blank intentionally....**

# Regulator Assembly (55476-4, and 55476-5)



		<b>Regulator Assembly</b>	
		<b>55476-4 NPT Standard Spring No Stand Tube</b>	<b>55476-5 NPT Outlet Standard Spring Rigid Stand Tube</b>
<b>Item</b>	<b>Description</b>	<b>Part No.</b>	<b>Part No.</b>
1	Knob Retainer	55477	55477
2	#8-18 x 2-1/2" Screw	42387	42387
3	Adjustment Knob	55478	55478
4	Follower	42183	42183
5	#6 x .625 Screw	44946	44946
6	Bottom Regulator Half	55479	55479
7	.78 x 2.8" Spring	42393	42394
8	Diaphragm Plate	42177	42177
9	Diaphragm	42181	42181
10	Diaphragm Center Support	42186	42186
11	Seat Cup	48199	48199
12	Seat	48225	48225
13	Seat Holder	42189	42189
14	.375 ID x 1.75" Spring	42392	42392
15	Seat Holder Sleeve	42187	42187
16	Top Diaphragm Plate	42182	42182
17	Barrel	42172	42172
18	Seat Holder Cap	42176	42176
19	Top Half Regulator	42174-1	42174-1
20	Inlet Orifice	42190	42190
21	O-Ring	29118	29118
22	O-Ring	42389	42389
23	Selector Knob	42178	42178
24	Shroud	42390	42390
25	1/8-27 NPT x 1/4 Tube Conn.	50820	50820
29	Vollumatic Decal	2529-813	2529-813
32	Plug	55837	55837
33	-007 O-Ring	56172	56172
34	Stand Tube Assembly	--	54517-4
35	Breather Cap Assembly	--	37142
36	Hose Clamp	--	7187

## CT3 PDS™ Control Part Numbers

See Chore-Time MW2467 Instruction Manual for part number breakdowns.

CT3 PDS™ Control Model Numbers	
16 Station	32 Station
56039-16	56039-32

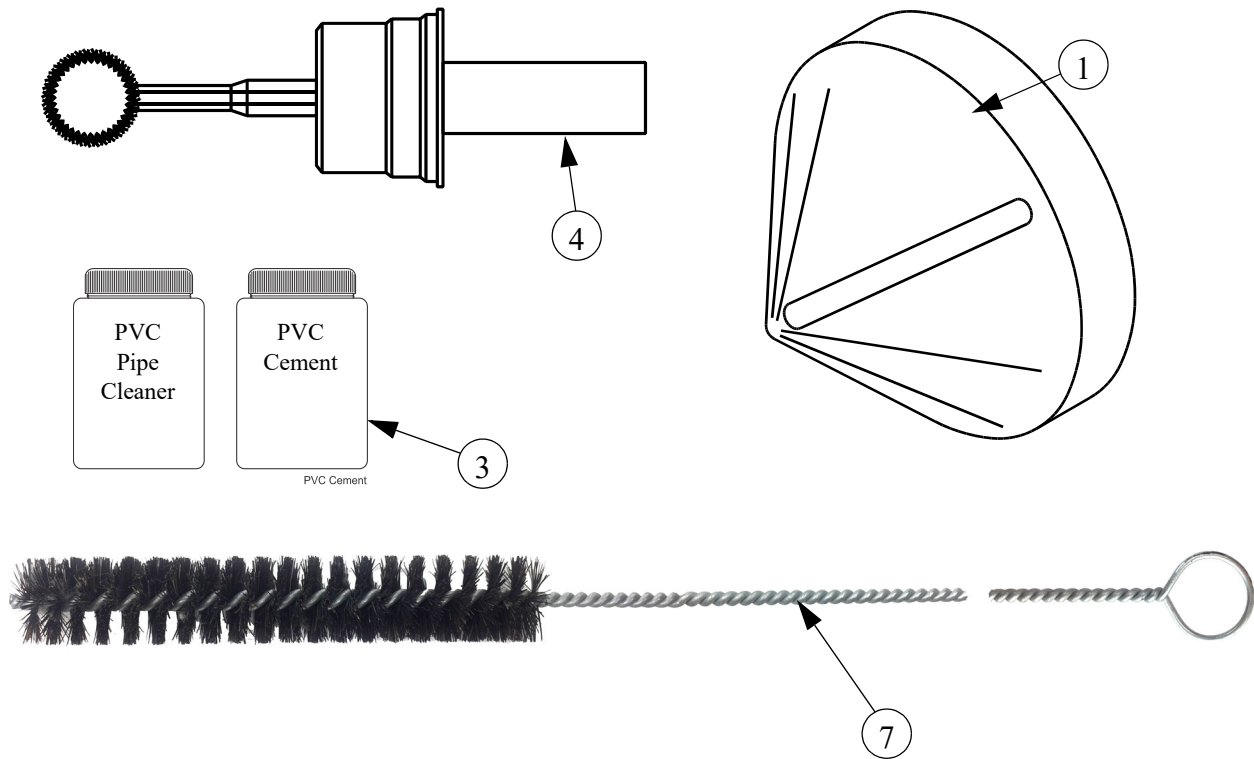
## PDS™ Control Part Numbers

See Chore-Time MW1812 Instruction Manual for part number breakdowns.

110 Volt Power Supply							
12 Station	16 Station	20 Station	24 Station	28 Station	32 Station	36 Station	40 Station
54373-12	54373-16	54373-20	54373-24	54373-28	54373-32	54373-36	54373-40

220 Volt Power Supply							
12 Station	16 Station	20 Station	24 Station	28 Station	32 Station	36 Station	40 Station
54373-12IN	54373-16IN	54373-20IN	54373-24IN	54373-28IN	54373-32IN	54373-36IN	54373-40IN

### Misc. Components List



Item	Description	Part No.
1	De-burring Tool	38514
2	Teflon Tape (Not Shown)	9954-1
3	PVC Cement	6303-4
4	Adj Plastic Glue Dauber	38513
5	Layer Watering Operator Kit (Not Shown)	50991-4
6	Lubricant (Not Shown)	45911
7	Pipe Brush	29465



**MADE TO WORK.  
BUILT TO LAST.®**

**Revisions to this Manual**

<b>Page No.</b>	<b>Description of Change</b>
-----------------	------------------------------

**For additional parts and information, contact your nearest Chore-Time distributor or representative.  
Find your nearest distributor at: [www.choretime.com/contacts](http://www.choretime.com/contacts)**

Chore-Time Group, A division of CTB, Inc.  
PO Box 2000  
Milford, Indiana 46542-2000 USA  
Phone (574) 658-4101 Fax (877) 730-8825  
Email: [choretime@choretime.com](mailto:choretime@choretime.com)  
Internet: [www.choretime.com](http://www.choretime.com)