

24" Basket Fan (50576 and 50576-230)

Installation and Operators Instruction Manual

Item	Description	Qty.	50576	50576-230
			115V Fan	230V Fan
1	Motor, .5HP, 1PH, 60HZ, 115/230V	1	53143	53143
2	Decal, CT Round Fan	1	ST79001	ST79001
3	Capacitor	1	55337	55337

Recommended Tools for Assembly (Not Provided)

Item	Description
1	Socket Wrench
2	7/16" & 9/16" Combination Wrench
3	Safety Glasses
4	Measuring Tape
5	7/16" & 9/16" Socket

Included Assembly Hardware-Full Scale

Item	Qty.	Description
1	1	3/8" x 1-1/4" Hex Bolt
2	2	3/8" Flat Washer
3	1	3/8" Nylock Nut

Item	Qty.	Description
4	1	1/4" x 1" Bolt
5	2	1/4" Flat Washer
6	1	1/4" Nylock Nut

Please read over all instructions carefully before you begin. For additional parts and information, contact your nearest Chore-Time distributor or representative. Find your nearest distributor at: www.choretime.com/contacts

Limited Warranty

LIMITED WARRANTY

Chore-Time Group, a division of CTB, Inc. ("Chore-Time") warrants the new CHORE-TIME Fans manufactured by Chore-Time to be free from defects in material or workmanship under normal usage and conditions, for One (1) year from the date of installation by the original purchaser ("Warranty"). Chore-Time provides for an extension of the aforementioned Warranty period ("Extended Warranty Period") with respect to certain Product parts. If such a defect is determined by Chore-Time to exist within the applicable period, Chore-Time will, at its option, (a) repair the Product or Component Part free of charge, F.O.B. the factory of manufacture or (b) replace the Product or Component Part free of charge, F.O.B. the factory of manufacture. This Warranty is not transferable, and applies only to the original purchaser of the Product.

CONDITIONS AND LIMITATIONS

THIS WARRANTY CONSTITUTES CHORE-TIME'S ENTIRE AND SOLE WARRANTY AND CHORE-TIME EXPRESSLY DISCLAIMS ANY AND ALL OTHER WARRANTIES, INCLUDING, BUT NOT LIMITED TO, EXPRESS AND IMPLIED WARRANTIES, INCLUDING, WITHOUT LIMITATION, WARRANTIES AS TO MERCHANTABILITY OR FITNESS FOR PARTICULAR PURPOSES. CHORE-TIME shall not be liable for any direct, indirect, incidental, consequential or special damages which any purchaser may suffer or claim to suffer as a result of any defect in the Product. Consequential or Special Damages as used herein include, but are not limited to, lost or damaged products or goods, costs of transportation, lost sales, lost orders, lost income, increased overhead, labor and incidental costs, and operational inefficiencies. *Some jurisdictions prohibit limitations on implied warranties and/or the exclusion or limitation of such damages, so these limitations and exclusions may not apply to you. This warranty gives the original purchaser specific legal rights. You may also have other rights based upon your specific jurisdiction.*

Compliance with federal, state and local rules which apply to the location, installation and use of the Product are the responsibility of the original purchaser, and CHORE-TIME shall not be liable for any damages which may result from non-compliance with such rules.

The following circumstances shall render this Warranty void:

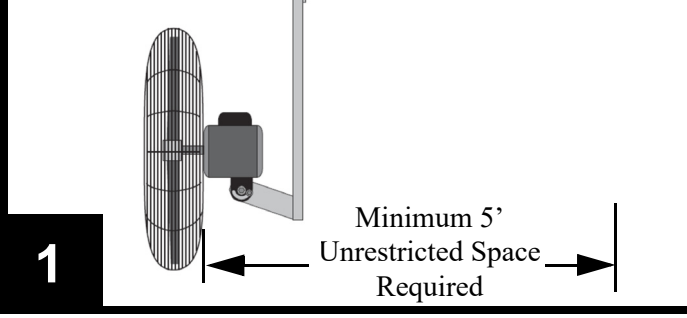
- Modifications made to the Product not specifically delineated in the Product manual.
- Product not installed and/or operated in accordance with the instructions published by the CHORE-TIME.
- All components of the Product are not original equipment supplied by CHORE-TIME.
- Product was not purchased from and/or installed by a CHORE-TIME authorized distributor or certified representative.
- Product experienced malfunction or failure resulting from misuse, abuse, mismanagement, negligence, alteration, accident, or lack of proper maintenance, or from lightning strikes, electrical power surges or interruption of electricity.
- Product experienced corrosion, material deterioration and/or equipment malfunction caused by or consistent with the application of chemicals, minerals, sediments or other foreign elements.
- Product was used for any purpose other than for the care of poultry and livestock.
-

The Warranty and Extended Warranty may only be modified in writing by an officer of CHORE-TIME. CHORE-TIME shall have no obligation or responsibility for any representations or warranties made by or on behalf of any distributor, dealer, agent or certified representative.

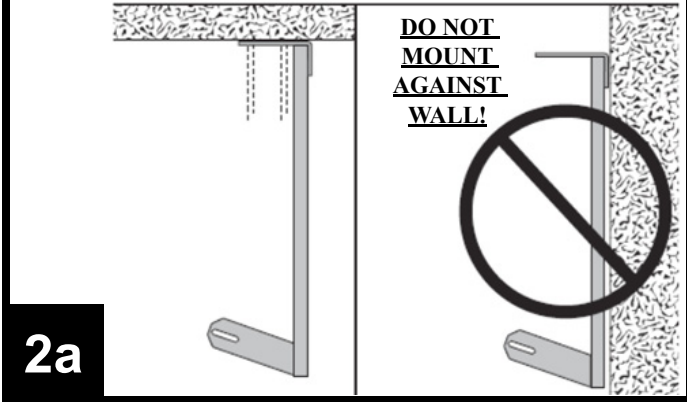
Effective: April 2014

Installation

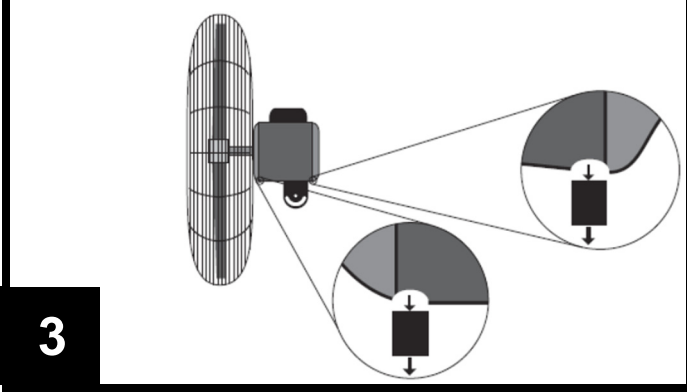
It is important to select a proper location when mounting your circulation fan. You must provide a minimum of 5' unrestricted air flow on the back side of the fan. Failure to provide the space needed for airflow may reduce motor life and void the warranty.



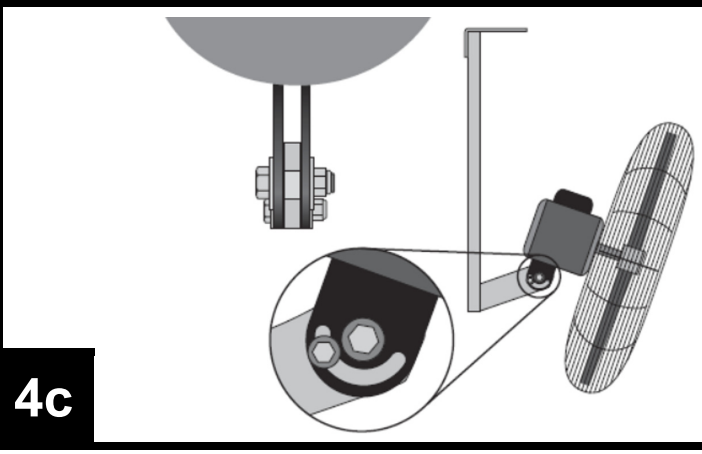
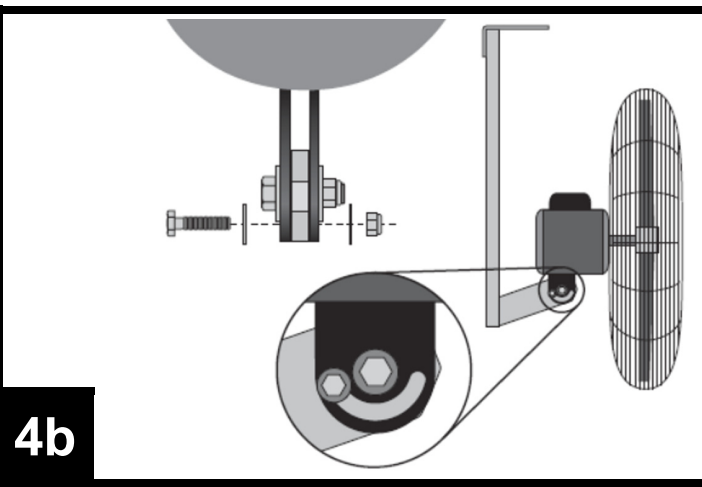
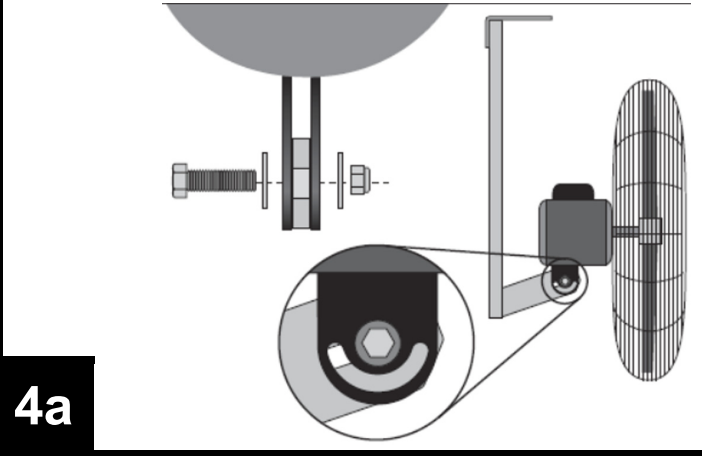
If mounting bracket to structure, verify anchor points are strong enough for added weight of bracket and fan. Attach top of bracket to structure with (4) washers and (4) screws or bolts with nylock nuts (not provided) suitable for your structure. **DO NOT** attach bracket to or against wall as this will not give motor enough unrestricted air flow.



Prep motor for use by removing the 2 drain plugs located on the bottom (flag mount) side of the motor. Removal of these plugs allows for drainage of any moisture that might get inside the motor. **DO NOT** remove the plugs on the top (capacitor) side of motor. Removal of these plugs will void warranty and allow dirt and moisture into the motor, reducing the life of the motor.

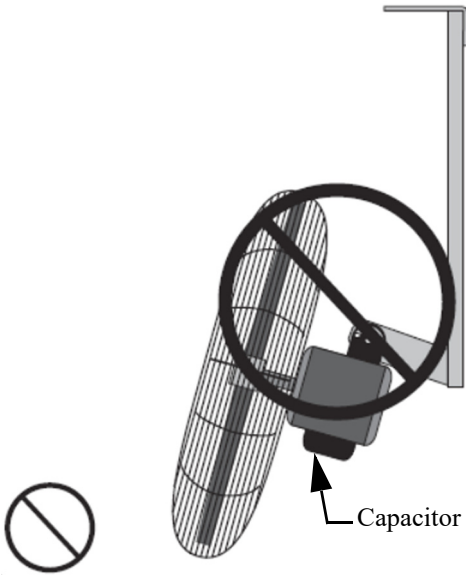


Attach fan to bracket. Insert bracket flag in between the motor flags and secure using the center holes on the motor flags with (1) 3/8" x 1-1/4" hex bolt, (2) 3/8" washers and (1) 3/8" nylock nut as shown in step 4a. Using the crescent openings on the motor flags, install the (1) 1/4" x 1" hex bolt, (2) 1/4" washers and (1) 1/4" nylock nut as shown in step 4b. Adjust the fan to the desired angle and tighten hardware to secure fan angle.



Additional Clarifications and Warnings

Do NOT mount fan with capacitor on the bottom. This can cause moisture to build up in the capacitor cap and short out the capacitor. Mounting the fan this way will void the warranty.



⚠ DISCONNECT POWER BEFORE INSTALLING OR SERVICING. ⚠

ALL ELECTRICAL WORK SHOULD BE COMPLETED BY QUALIFIED PERSONNEL AND MEET NATIONAL (NEC), REGIONAL, AND LOCAL ELECTRIC CODES

PROVIDING POWER TO FAN

Instructions for corded models

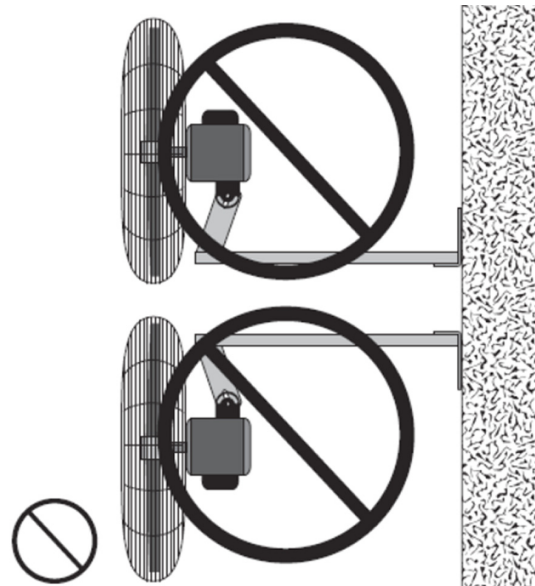
- Provide a grounded outlet that meets or exceeds the load capability for your fan.

Wiring instructions for non corded models

- Wiring should only be performed by a trained electrician to prevent injury or death. Install manual disconnect switch inside building adjacent to fan.
- Route wire to motor with drip loop and secure.
- Drip loop will drain accumulated moisture away from the motor.
- Configure internal wires to match supply voltage and wire according to motor nameplate. Test to verify correct rotation.
- Only permit power to unit when guard and motor's cover plate is properly installed to prevent injury.

Do NOT mount bracket horizontally. The included bracket was not designed to be mounted this way and cannot withstand the structural stress caused by the weight and movement of the fan. Mounting the bracket and fan this way will void the warranty.

CHORE-TIME has a wide variety of horizontal brackets and additional options for mounting. Contact CHORE-TIME for more information.



MAINTENANCE INSTRUCTIONS

- Disconnect power before cleaning or maintaining your fan in order to prevent serious injury or death.
- **Do Not** Spray Fan Motor with Water!
- Service and repair of fan should only be completed by a qualified technician.
- For maximum efficiency and fan life, keep the blades, motor and guard free from dirt and dust.
- The totally enclosed air over motor has sealed ball bearings and does not require additional lubrication.

Part No.	Fan Size	Description
Side Mount Brackets		
VRSBR14	12"-36"[30.5-91.4cm]	42" Extended Bracket, for Sq. or Rnd Up Post
VRSBR143	12"-36"[30.5-91.4cm]	42" Extended Bracket, for 3" Tube-Bolt On
VRSBR144	12"-36"[30.5-91.4cm]	42" Extended Bracket for 4" Tube -Bolt On
VRSBR14412	12"-36"[30.5-91.4cm]	42" Extended Bracket, 4-1/2" Tube-Bolt On
VRSB901	12"-36"[30.5-91.4cm]	Wall Mount Bracket
Ceiling Mount Brackets		
VRSBR2-HDG	12"-24"[30.5-70cm]	6-Way Bracket
VRSBR3-HDG	36"[91.4cm]	6 Way Bracket
Pole Mount Brackets		
VRSBR12	12"-36"[30.5-91.4cm]	Pole Bracket, fits 4"-4-1/2" Tube
VRSBR13	12"-36"[30.5-91.4cm]	Pole Bracket, fits 3"-3-1/2" Tube

