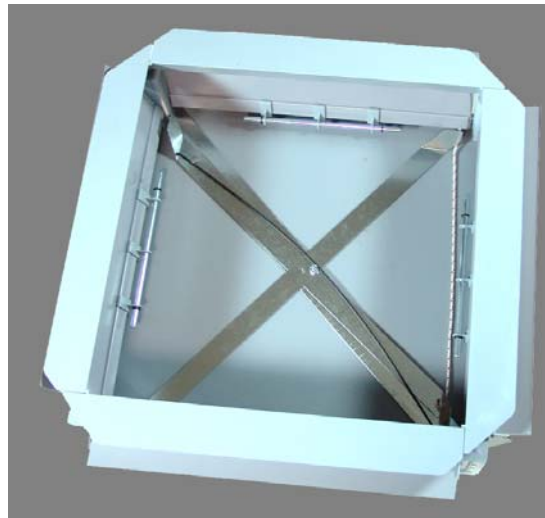


TopJet Inlet Closure Kit (52119-8)



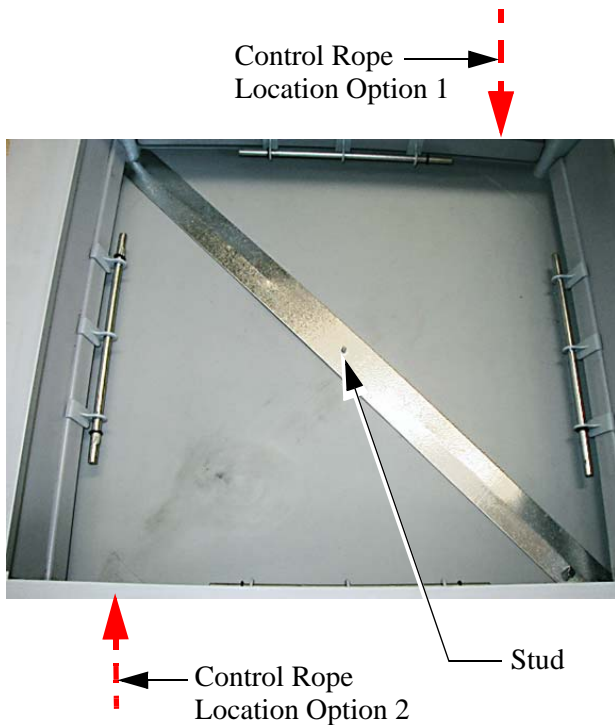
Note: The original, authoritative version of this manual is the [English] version produced by CTB, Inc. or any of its subsidiaries or divisions, (hereafter collectively referred to as "CTB"). Subsequent changes to any manual made by any third party have not been reviewed nor authenticated by CTB. Such changes may include, but are not limited to, translation into languages other than [English], and additions to or deletions from the original content. CTB disclaims responsibility for any and all damages, injuries, warranty claims and/or any other claims associated with such changes, inasmuch as such changes result in content that is different from the authoritative CTB-published [English] version of the manual. For current product installation and operation information, please contact the customer service and/or technical service departments of the appropriate CTB subsidiary or division. Should you observe any questionable content in any manual, please notify CTB immediately in writing to: CTB Legal Department, P.O. Box 2000, Milford, IN 46542-2000 USA.

CTB Inc.
P.O. Box 2000 • Milford, Indiana 46542-2000 • U.S.A.
Phone (574) 658-4101 • Fax (877) 730-8825
E-Mail: ctb@ctbinc.com • Internet: <http://www.ctbinc.com>
Printed in the U.S.A.

Assembly

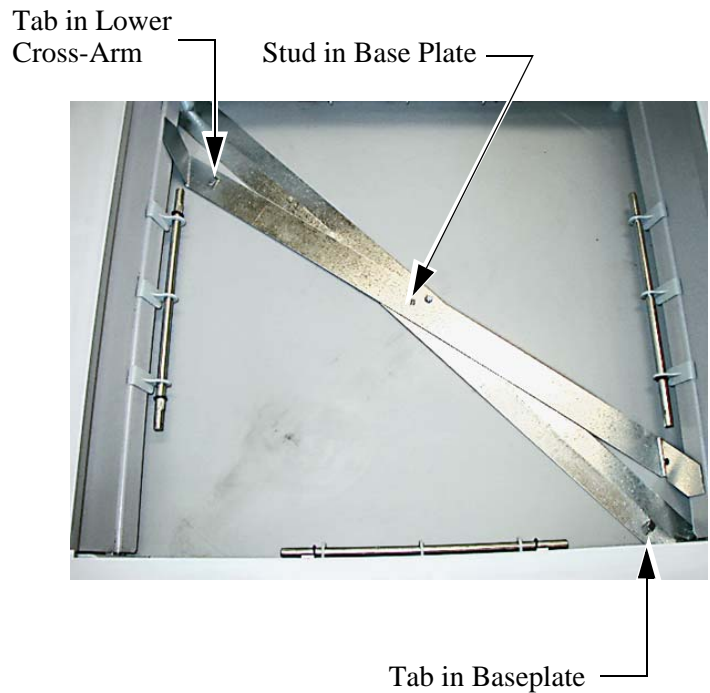
Step 1

Lay the Inlet on a flat surface and orient it as shown below. Install the Base Plate (52021) as shown. The Control Rope will enter the Inlet in one of the corners opposite the ends of the Base Plate.



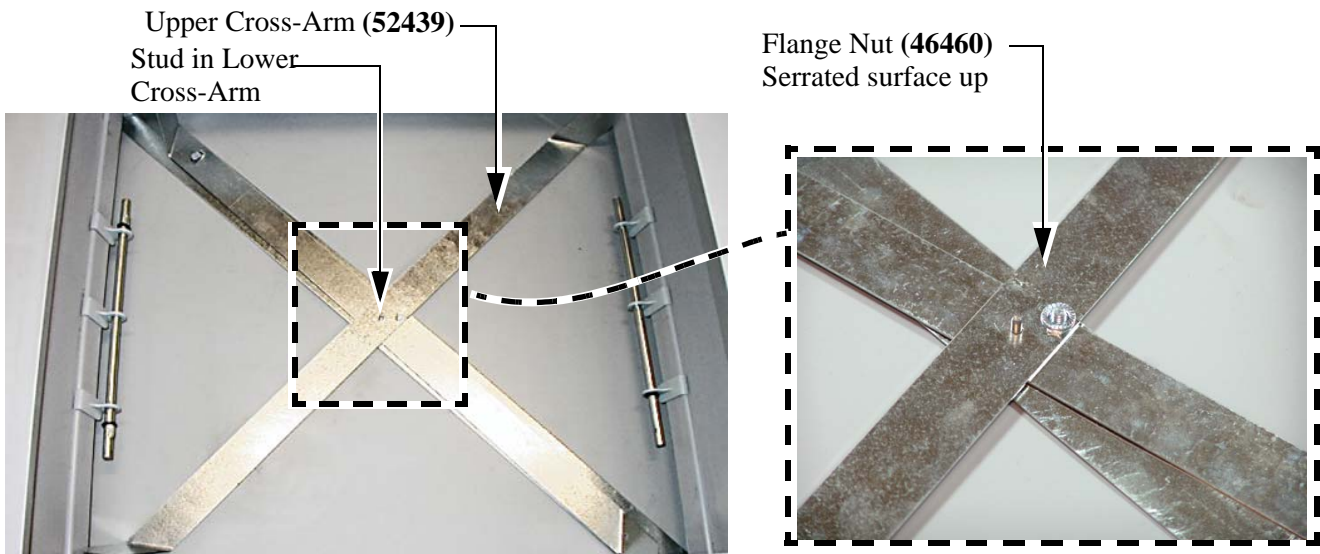
Step 2

Install the Lower Cross Arm (52020) by lining up the hole near the center with the Stud in the Base Plate (52021) as shown. **Note:** The Tab in the Lower Cross-Arm has to be opposite the Tab in the Base Plate.



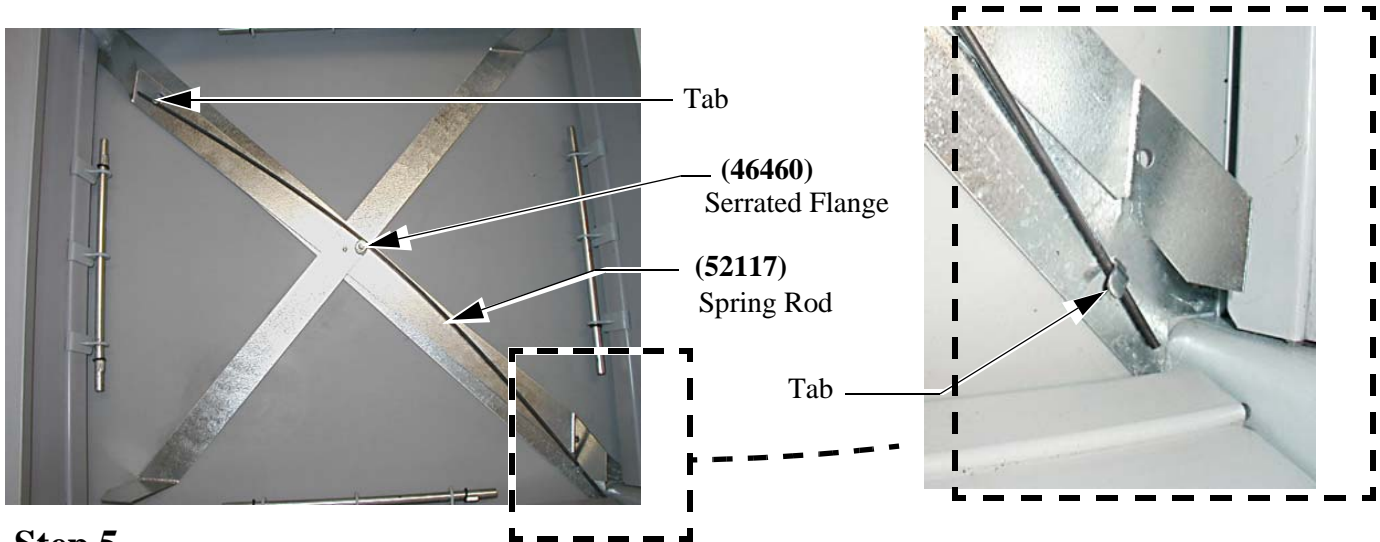
Step 3

Line up the holes in the Upper Cross-Arm (52439) with the two studs on the Lower Cross-Arm and Baseplate, and fasten it on with a 1/4-20 Serrated Flange Nut (46460). Tighten by hand only! (**Note: Install the Flange Nut upside down with the Serrated surface facing up**).



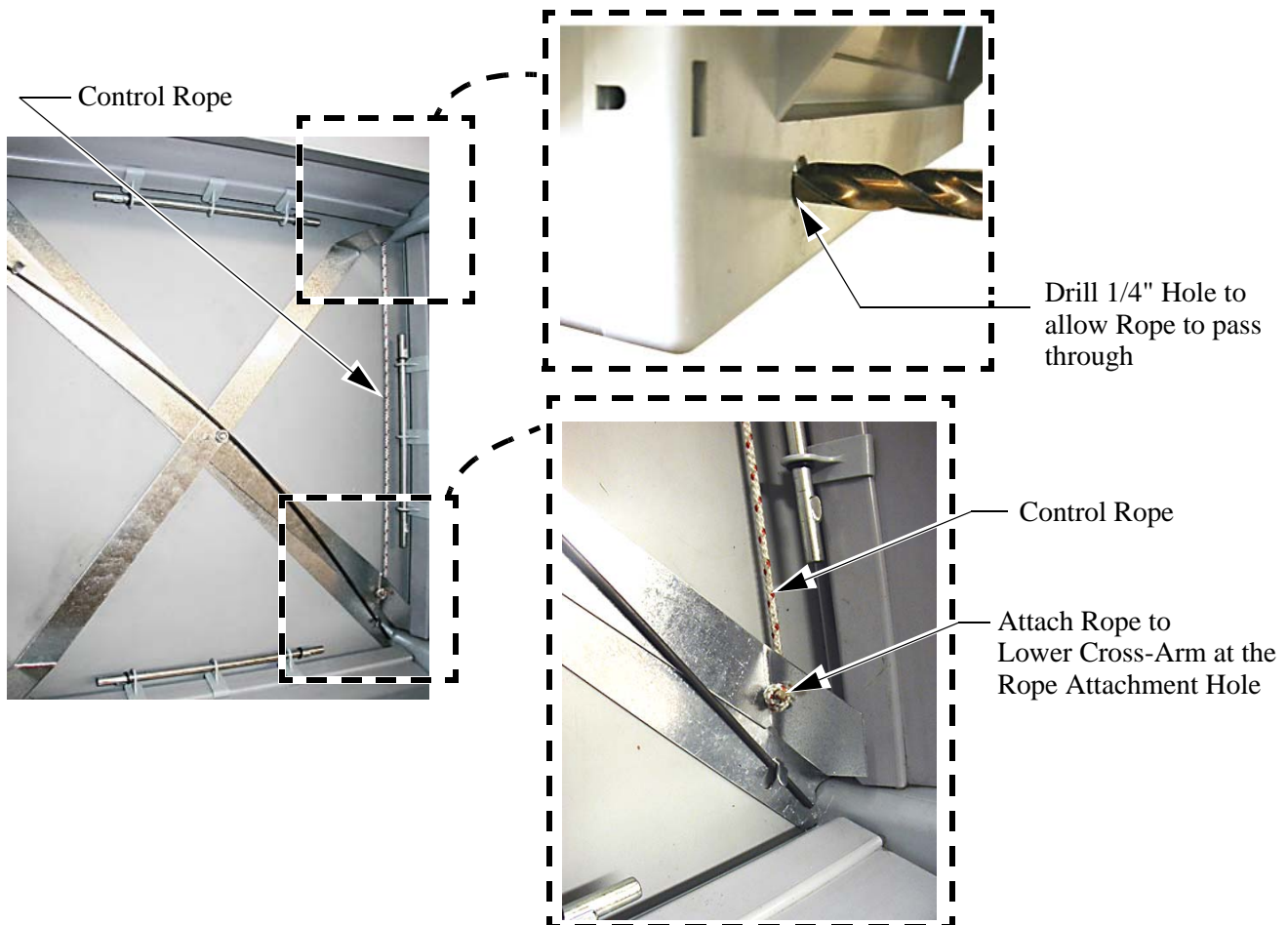
Step 4

Install the Spring Rod (52117) under the Tab of the upper Cross-arm (52439) at one end and under the tab of the Base Plate. Bend the Spring Rod around the Serrated Flange Nut (46460) See below.



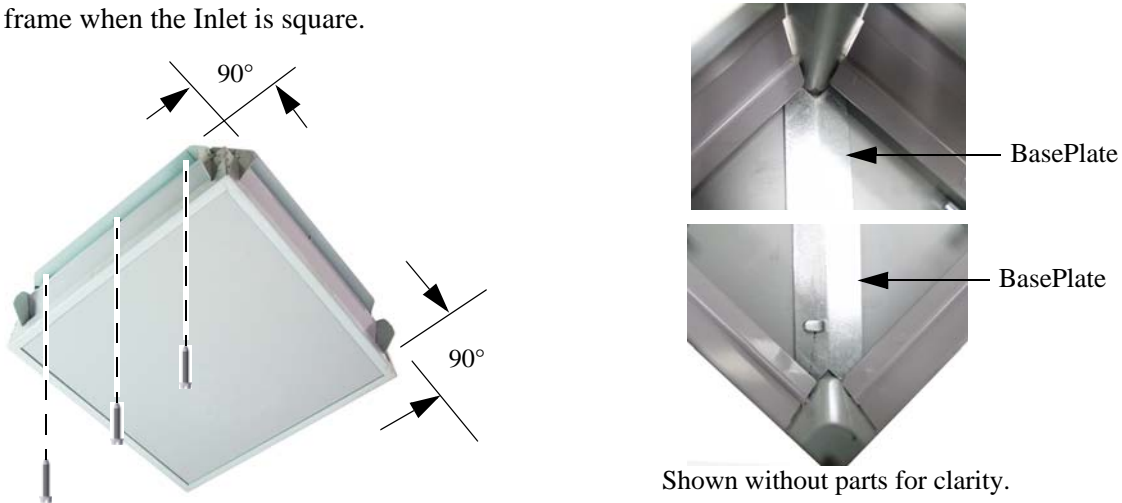
Step 5

Drill a 1/4" hole in one of the corners that is across from the rope attachment hole at the end of the Lower Cross-Arm. This hole is to allow for the Control Rope to pass through. Attach the Control Rope as shown.

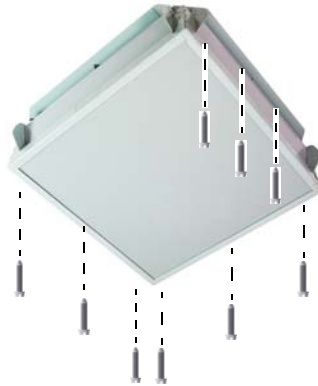


Assembly

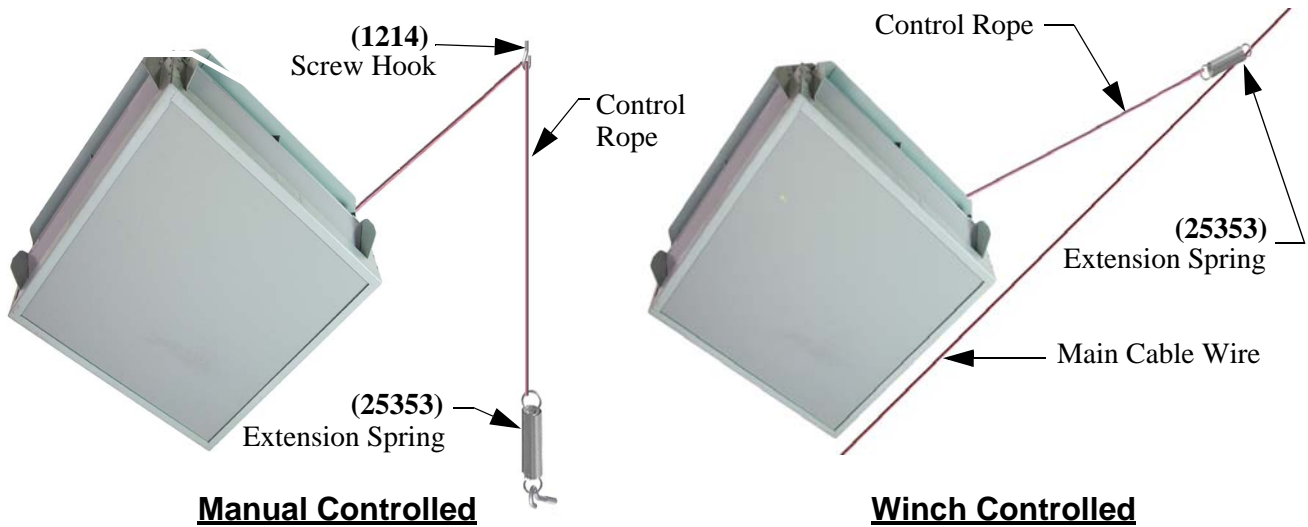
Step 6 When attaching the Inlet to the ceiling, make sure that the Inlet is square. Attach one side of the Inlet and then twist it back and forth until you feel no tension between the Baseplate and the Inlet Corners. Both ends of the Baseplate should rest against the plastic frame when the Inlet is square.



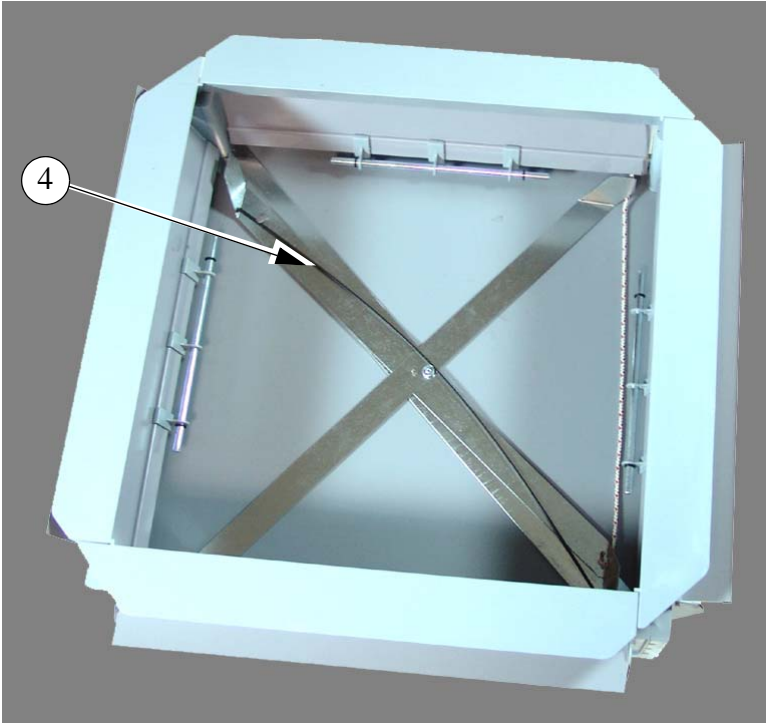
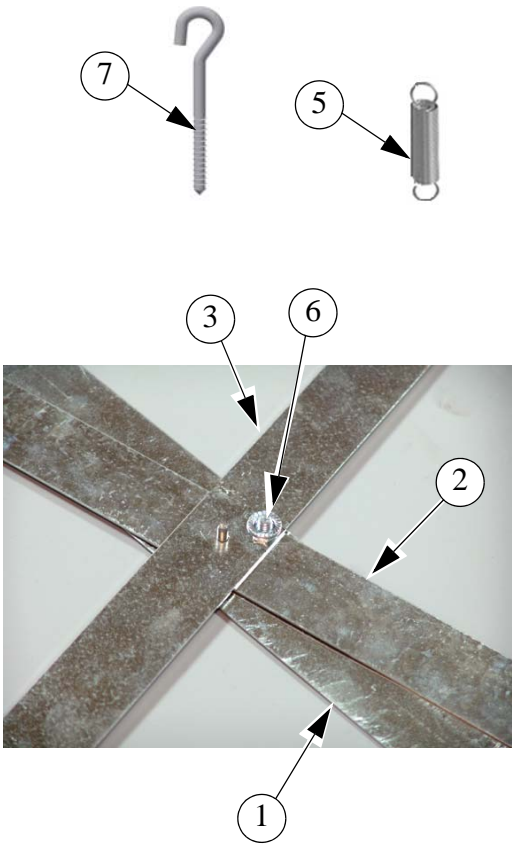
Step 7 Fasten the other three sides.



Step 8 Attach an Extension Spring (25353) to the end of the Control Rope. A Screw Hook (1214) is included if needed.



Part Numbers



TopJet Inlet Part Numbers		
Item	Description	Part No.
1	Base Plate	52021
2	Lower Crossarm	52020
3	Upper Crossarm	52439
4	Inlet Rod	52117
5	.85 x 4 Extension Spring	25353
6	1/4-20 Flange Nut	46460
7	Open Eye Screw Hook	1214



**Made to work.
Built to last.**

Revisions to this Manual

Page No.	Description of Change
	Added Bom page. Updated.

Contact your nearby Chore-Time distributor or representative for additional parts and information.

**CTB Inc.
P.O. Box 2000 • Milford, Indiana 46542-2000 • U.S.A.
Phone (574) 658-4101 • Fax (877) 730-8825
E-Mail: ctb@ctbinc.com • Internet: <http://www.ctbinc.com>
Printed in the U.S.A.**