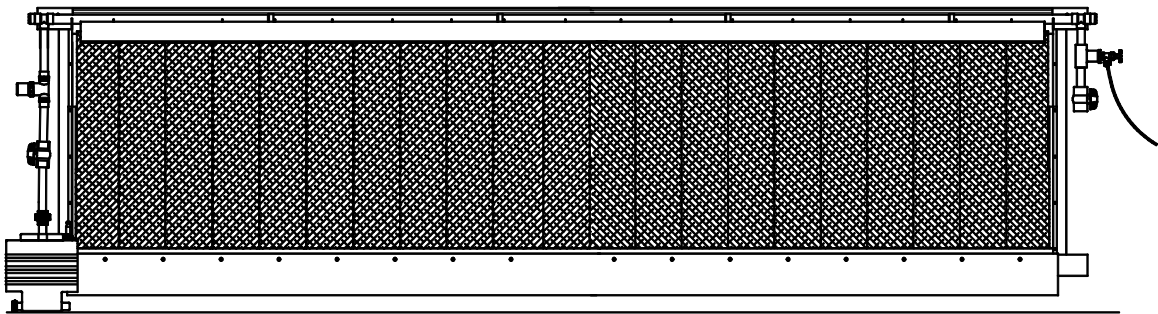
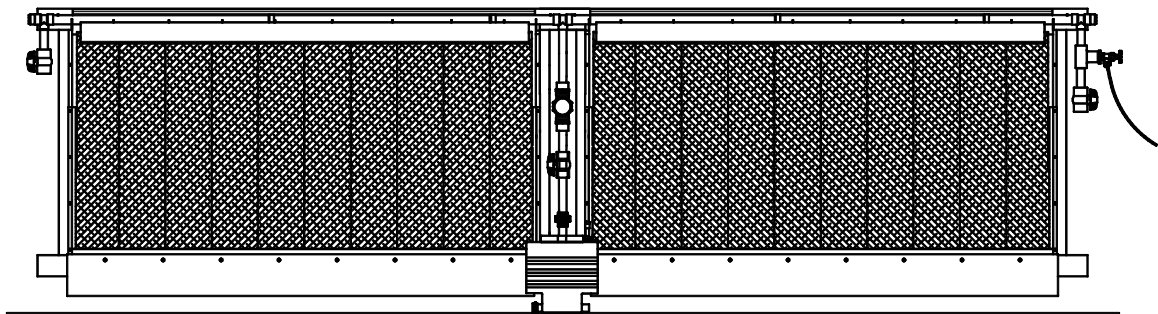


# Turbo-Cool™ With Open Top 6" Recirculating Evaporative Cooling Installation & Operator's Instruction Manual



Mv1669-018 04/01

## LIMITED Warranty

Chore-Time Group, a division of CTB, Inc. ("Chore-Time") warrants new Turbo-Cool™ Open Top Evaporative Cooling manufactured by Chore-Time to be free from defects in material or workmanship under normal usage and conditions, for One (1) year from the date of installation by the original purchaser ("Warranty"). If such a defect is determined by Chore-Time to exist within the applicable period, Chore-Time will, at its option, (a) repair the Product or Component Part free of charge, F.O.B. the factory of manufacture or (b) replace the Product or Component Part free of charge, F.O.B. the factory of manufacture. This Warranty is not transferable, and applies only to the original purchaser of the Product.

### CONDITIONS AND LIMITATIONS

THIS WARRANTY CONSTITUTES CHORE-TIME'S ENTIRE AND SOLE WARRANTY AND CHORE-TIME EXPRESSLY DISCLAIMS ANY AND ALL OTHER WARRANTIES, INCLUDING, BUT NOT LIMITED TO, EXPRESS AND IMPLIED WARRANTIES, INCLUDING, WITHOUT LIMITATION, WARRANTIES AS TO MERCHANTABILITY OR FITNESS FOR PARTICULAR PURPOSES. CHORE-TIME shall not be liable for any direct, indirect, incidental, consequential or special damages which any purchaser may suffer or claim to suffer as a result of any defect in the Product. Consequential or Special Damages as used herein include, but are not limited to, lost or damaged products or goods, costs of transportation, lost sales, lost orders, lost income, increased overhead, labor and incidental costs, and operational inefficiencies. *Some jurisdictions prohibit limitations on implied warranties and/or the exclusion or limitation of such damages, so these limitations and exclusions may not apply to you. This warranty gives the original purchaser specific legal rights. You may also have other rights based upon your specific jurisdiction.*

Compliance with federal, state and local rules which apply to the location, installation and use of the Product are the responsibility of the original purchaser, and CHORE-TIME shall not be liable for any damages which may result from non-compliance with such rules.

The following circumstances shall render this Warranty void:

- Modifications made to the Product not specifically delineated in the Product manual.
- Product not installed and/or operated in accordance with the instructions published by the CHORE-TIME.
- All components of the Product are not original equipment supplied by CHORE-TIME.
- Product was not purchased from and/or installed by a CHORE-TIME authorized distributor or certified representative.
- Product experienced malfunction or failure resulting from misuse, abuse, mismanagement, negligence, alteration, accident, or lack of proper maintenance, or from lightning strikes, electrical power surges or interruption of electricity.
- Product experienced corrosion, material deterioration and/or equipment malfunction caused by or consistent with the application of chemicals, minerals, sediments or other foreign elements.
- Product was used for any purpose other than for the care of poultry and livestock.

The Warranty and Extended Warranty may only be modified in writing by an officer of CHORE-TIME. CHORE-TIME shall have no obligation or responsibility for any representations or warranties made by or on behalf of any distributor, dealer, agent or certified representative.

Effective: **April, 2014**

# Table of Contents

Topic	Page
<b>LIMITED Warranty</b> .....	<b>2</b>
<b>General</b> .....	<b>4</b>
Support Information .....	4
DANGER: Electrical Hazard .....	4
<b>Electrical Connection</b> .....	<b>4</b>
Materials and Tools Required for Installation .....	5
<b>Planning Information</b> .....	<b>6</b>
System Layout .....	6
<b>Framing Information</b> .....	<b>7</b>
Framing Diagrams for Systems with Sump at the End. ....	8
Framing for System with Sump in the Middle .....	9
Splash Guard and Pipe Hanger Installation .....	9
<b>Evaporating Cooling System Installation</b> .....	<b>10</b>
Sump Preparation .....	10
Sump End Clamp Assembly .....	11
Sump Support installation. ....	11
Attaching the Sump .....	12
Trough Installation .....	13
Trough Installation Continued.... ..	14
Attaching the Trough to the Sump .....	14
End Panel Installation .....	15
Water Deflector Installation (PVC and Metal shown) .....	16
Distribution Pipe Installation .....	17
End Panel Support Installation .....	18
Pad Support Installation .....	18
Caulking the End Panels .....	19
Evaporative Cooling Pad Installation .....	20
Pad Retainer Installation .....	21
Trough End Insert Installation .....	22
Distribution Pipe Orientation .....	23
Sump Components Installation .....	24
Sediment Trap Installation .....	25
Securing Water Supply Inlet Hose .....	25
<b>System Start-Up</b> .....	<b>26</b>
<b>System Operation &amp; Maintenance</b> .....	<b>27</b>
<b>Parts Lists and Kits</b> .....	<b>28</b>
Sump Kits 49046, 49046-3,-4,-5, and -6 .....	28
Part Numbers .....	29
46587-XX (Metal Frame Kits), 55440-5,-20 (PVC Frame Kits), and 55438 (Frame End Kit) Turbo-Cool™ w/Open Top .....	30
46725 Center Panel Kit (to install in center of a system) .....	31
90° Around the Corner Kit (50464) .....	32
Miscellaneous Components .....	33

## General

### Support Information

The Turbo-Cool 6" Recirculating Evaporative Cooling System is designed to help cool livestock and poultry houses. The system is shipped unassembled. Using this equipment for any other purpose or in a way not within the operating recommendations specified in this manual will void the warranty and may cause personal injury.

This manual is designed to provide installation, operation, and parts listing information. The Table of Contents provides a convenient overview of the information in this manual. The Table of Contents also specifies which pages contain information for the sales personnel, installer, and consumer (end user).

## Safety Information

### **DANGER: Electrical Hazard**

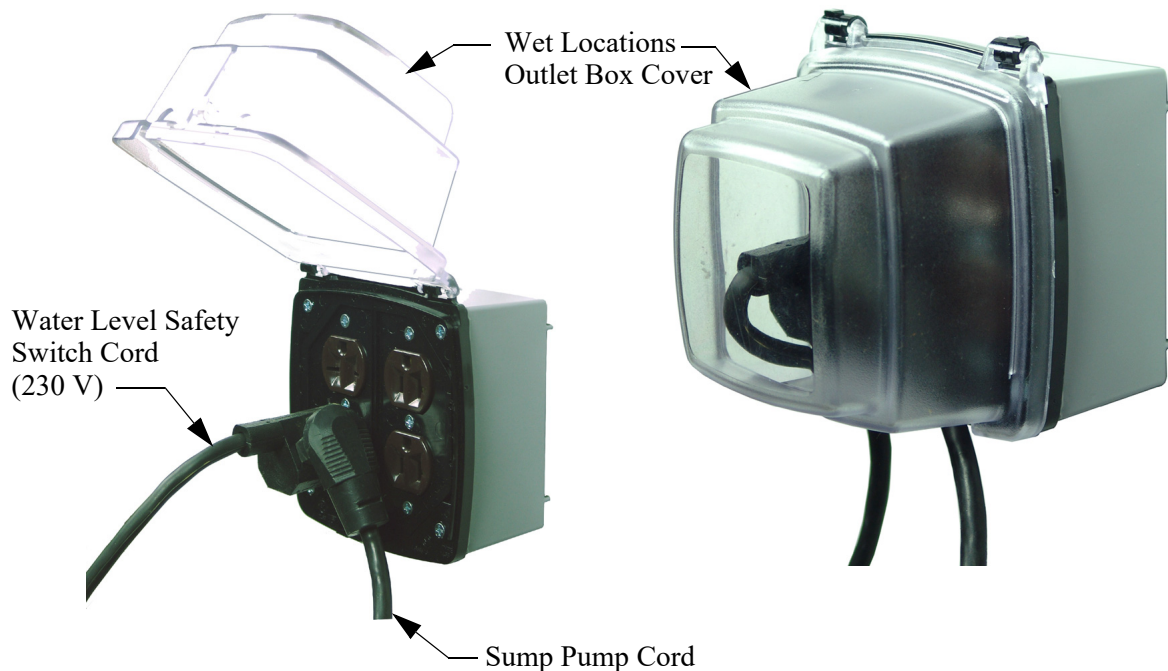
Ground all electrical equipment for safety.

All electrical wiring must be done by a qualified electrician in accordance with local and national electric codes.

Disconnect electrical power before inspecting or servicing equipment unless maintenance instructions specifically state otherwise.

## Electrical Connection

Use a Wet Locations Outlet Box Cover when plugging the Sump Pump Cord into an outside Outlet.



## Materials and Tools Required for Installation

Socket Wrench · 5/16" 3/8", and 7/16" Sockets · Teflon Tape  
 PVC Cement · Utility Knife · Saw · Tape Measure · Chalk-Line · Caulking  
 · Pressure Treated Lumber for Framing. See Figure 2 (on page 8)

### Required fresh water supply

Outside Air		Water Required in Gallons/Minute Per 100 sq. ft. of Pad * (l/min/m <sup>2</sup> )
Temp in °F (°C)	% Relative Humidity	
110 (43)	10	2.9 (1.18)
110 (43)	20	2.4 (.97)
100 (38)	20	2.2 (0.90)
100 (38)	30	1.8 (0.73)
100 (38)	40	1.5 (0.61)
95 (35)	40	1.4 (0.57)

\*Assumes 80% pad efficiency and 425 fpm (2.2 m/s) air velocity through pad. For air velocities less than 425 fpm, the water requirement should be reduced by the ratio of the actual pad air velocity to 425 fpm. For example: given outside air conditions of 100° F, 40% RH, two 5' x 60' pads/house, and ten 48" fans producing 22,000 cfm @ .10" w.c., the total air flow is 10 x 22,000 = 220,000. The pad area is 2 x 5 x 60 = 600 sq. ft. The air velocity through the pads is the airflow divided by the pad area; 220,000 ÷ 600 = 367 fpm. From the chart 1.5 gpm is required per 100 sq. ft. of pad. Because the air velocity is less than 425 fpm the actual water requirement is 1.5 x 367 ÷ 425 = 1.3 gpm per 100 sq. ft. of pad. The total water required for the house is 1.3 x 600 ÷ 100 = 7.8 gpm.

	Valve-PS75LS (Sump Kit 49046)	Valve-PS75SS (Sump Kit 49046-3,-4)	Valve-PT100SS Sump Kit 49046-5,-6
Flowrate @ 5 psi (gpm)	--	--	18 gpm
Flowrate @ 10 psi (gpm)	5 gpm	8 gpm	26 gpm
Flowrate @ 20 psi (gpm)	7 gpm	11 gpm	37 gpm
Maximum Water Pressure	100 psi	50 psi	25 psi

Water Quality: 6 - 8 PH, salt concentration less than 40,000 ppm

Submersible Pump Options								
						Sump Kit Part No. / Maximum System Length (ft)		
Part No.	Model	PH	HZ	Run Amps	Start Amps	49046	49046-3, -5	49046-4, -6
52075	EP52X	1	60	3.4	7.2	65	75	
52074	EP72X	1	60	4.3	7.7	80	90	110
49367	DOC7T	3	50	1.6	6.4	65	75	
52075	EP52X	1	50	2.8	7.9	50	55	
52074	EP72X	1	50	3.2	8.5	65	75	90

### Trough and Sump Water Capacity:

*Trough Water Capacity- is 2.25 Gal/FT. [27.9 l/m]*

*Sump Water Capacity- 10.5 Gallons [39.7 Liters] when full to the top of the Water Level Indicator.*

**Important!** CTB, Inc. strongly recommends that a good alarm system should be installed in confinement buildings to warn of power failure and high temperature.

CTB Inc. also recommends that an alternate power source be available for confinement buildings in case of power failure.

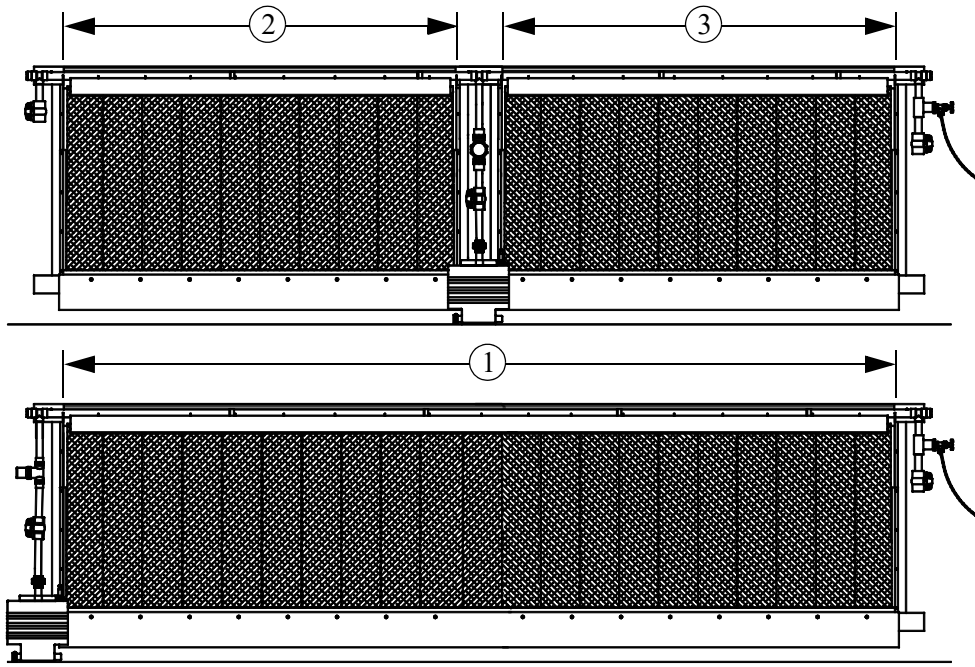
CTB, Inc. recommends the use of a Water Level Safety Switch. The absence of a Water Level Safety switch will void any Warranty on the Water Pump.

# Planning Information

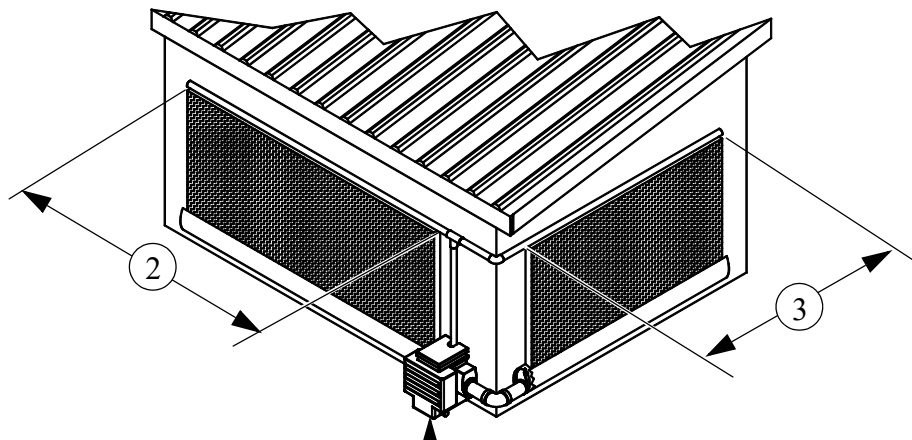
## System Layout

The Sump Assembly can be installed anywhere within a system following these guidelines....

- The maximum length of the system is determined by the Pump used (See “Submersible Pump Options” on page 5). Maximum system length includes the length of system on both sides of the Sump in "Sump in the middle" and "around the corner" systems.
- A system can turn 90° around a corner with the use of a 50464 Corner Kit. Install the Sump on the wall with the longest Pad Length.
- The maximum amount of slope is 1-1/2" [38 mm] per system. The Sump end must be level with, or lower than the rest of the trough.



MV1669-019 04/01



The Sump must be on Side with the longest Pad length.

	Item	Description
Sump on End of System	1	Maximum length = 70'
Sump in Center of System	2,3	Maximum length each = 70'
	2+3	Max length of system Determined by Pump used (See page 5)

Figure 1. System Layout

## Framing Information

**Figure 2, on page 8** shows two options for installing the cooling pad relative to the tunnel curtain and provides information for the Evaporative Cooling System opening with Sump on either end. See **Figure 3, on page 9** for opening information for Evaporative Cooling System with Sump in the middle

It is recommended to frame the Pad opening using treated lumber.

1. Determine the location of the bottom stringer. See **Figure 2, Item 3**.

**Use Wood or Lag Screws to secure the Bottom Stringer to the Studs.** The Lower Stringer must be capable of supporting 30 lbs/ft [45 kg/m] plus 3 lbs/ft [4 kg/m] for each foot of Cooling Pad Height.

**Example:** A 6' Cooling Pad requires a Stringer capable of supporting  $30 \text{ lbs/ft} + (3 \text{ lbs/ft} \times 6') = 48 \text{ lbs/ft}$ .

2. Determine the location of the top stringer. See **Figure 2, Item 8**. The distance between the top and bottom stringers should be 2" [51 mm] less than the height of the Evaporative Cooling Pads.

**Example:** For a 60" [1524 mm] tall Evaporative Cooling Pad the distance between the stringers would be  $60" [1524 \text{ mm}] - 2" [51 \text{ mm}] = 58" [1473 \text{ mm}]$ .

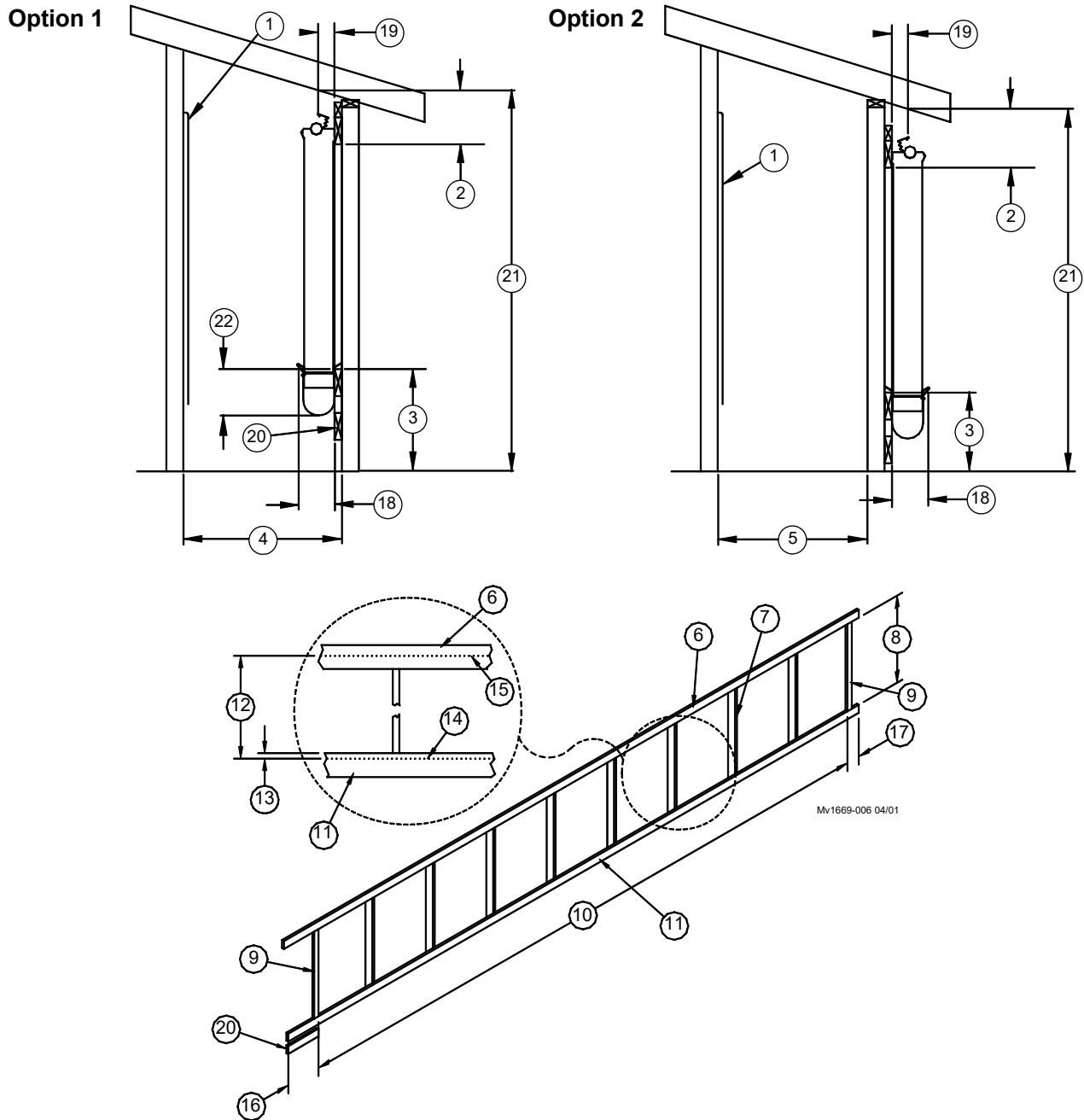
**Note: The slope (if any) of the top stringer must be the same as the bottom stringer.**

3. Snap a Chalk-Line on the lower stringer at the locations specified in **Figure 2, Item 13**. This Chalk-Line will determine the location of the lag screws for the Trough Supports.

4. Snap a Chalk-Line on the top stringer at the locations specified in **Figure 2, Item 12 & 15**. This Chalk-Line will determine the location of the Splash Plate lower holes.

5. A short section of 2 x 6 treated lumber (**Figure 2, Item 20**) is required beneath the Bottom Stringer at the Sump end to provide a back support for the Sump assembly.

## Framing Diagrams for Systems with Sump at the End



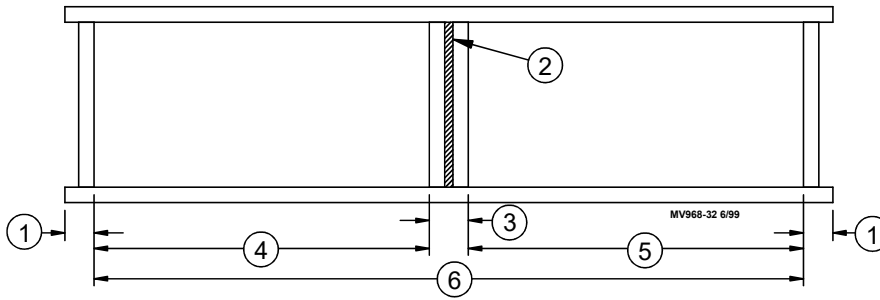
Item	Description
1	Curtain
2	7.5" [191 mm] Minimum Clearance
3	14-1/2" [368 mm] Minimum Sump Clearance
4	30" - 36" [762 - 914 mm] Walkway
5	6" [152 mm] Minimum Clearance
6	2 x 6" [38 x 140 mm] Top Stringer
7	Wall Studs
8	Pad Height less 2" [51 mm]
9	End Framing
10	Width of Pad Bank
11	2 x 6" [38 x 140 mm] Bottom Stringer

Item	Description
12	Pad Height plus 2" [51 mm]
13	1-1/4" [32 mm]
14	Bottom Stringer Chalk-Line
15	Top Stringer Chalk-Line
16	19" [432 mm] for Sump Assembly
17	6" [152 mm] for Trough End Insert
18	7-1/2" [191 mm]
19	3" [76 mm]
20	2 x 6 Sump Back Support
21	Pad Height plus 20" Min. Clearance
22	Minimum Trough Clearance 9-1/4" [23.5 mm]

Figure 2. Framing overview diagram (Sump at either end)



### Framing for System with Sump in the Middle



Item	Description
1	6" [152.4 mm] Minimum Clearance for Trough End Insert
2	Cover this opening
3	18" [458 mm]
4	1/2 Total System Length rounded to nearest 5' increment
5	Remainder of Total System Length
6	Total System Length plus 18" [458 mm]

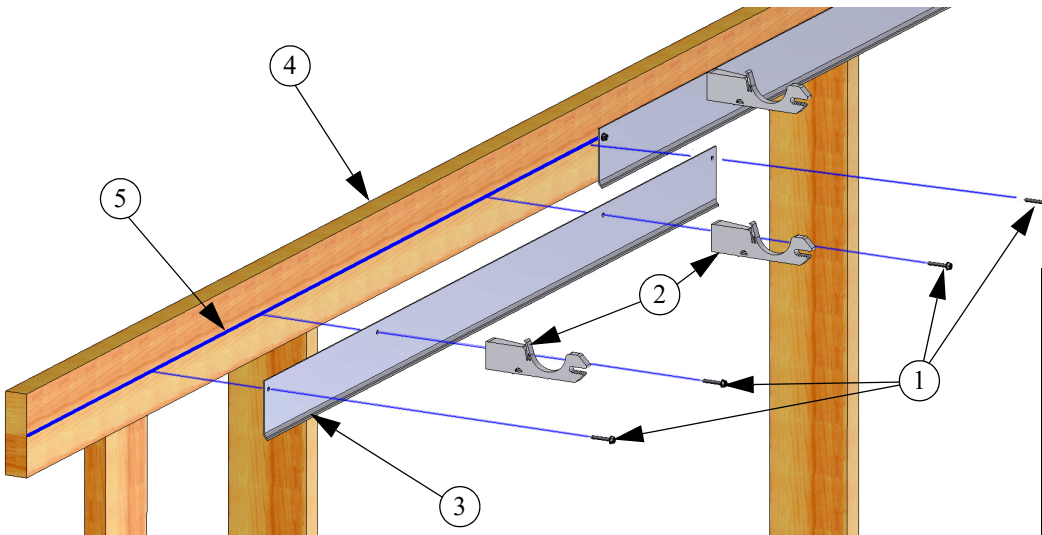
Figure 3. Frame opening dimensions for Sump in middle

Note: See Figure 2 for all other framing information

### Splash Guard and Pipe Hanger Installation

**Note:** The end holes in the Splash Guard must align with the chalk line and the end of the first Splash Guard must be flush with the inside of the end framing. (See Figure 4.)

Secure the Splash Guards to the upper stringer, using a 1/4 x 1-1/2" Lag Screw at each end. Secure the Pipe Hangers to the stringer, through the Splash Guard, using (4) 1/4 x 1-1/2" Lag Screws. Install the remaining Splash Guards **butting them tightly end to end**. If the last Splash Guard is too long to fit within the end framing, cut as shown and fasten the loose end to the Stringer with a 1/4 x 1-1/2" Lag Screw.



Item	Description
1	1/4 x 1-1/2" Screw
2	Pipe Hanger
3	Splash Guard
4	Upper Stringer
5	Chalk Line
6	Flush with edge of end framing
7	Cut here if too long

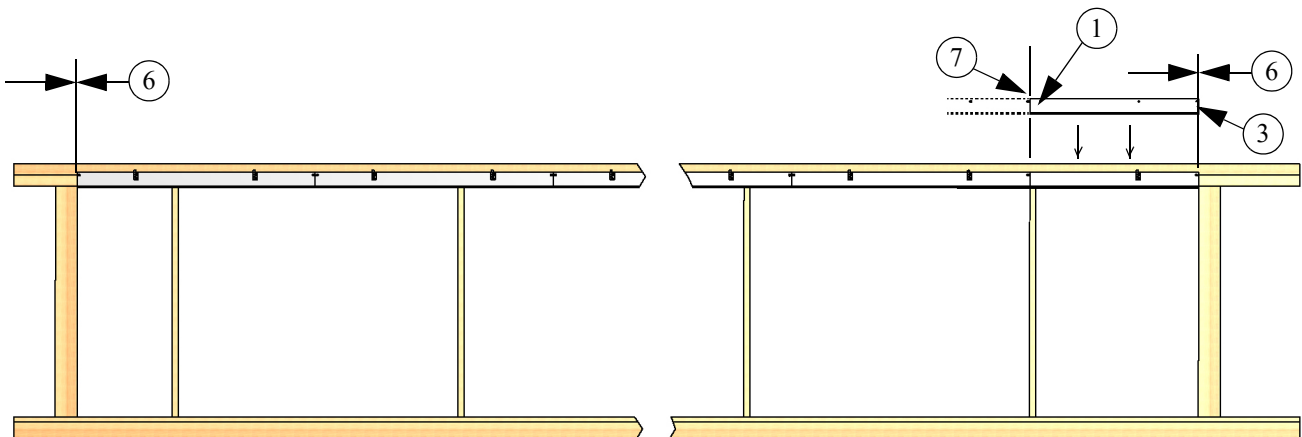


Figure 4. Pipe Support and Splash Guard Installation

# Evaporating Cooling System Installation

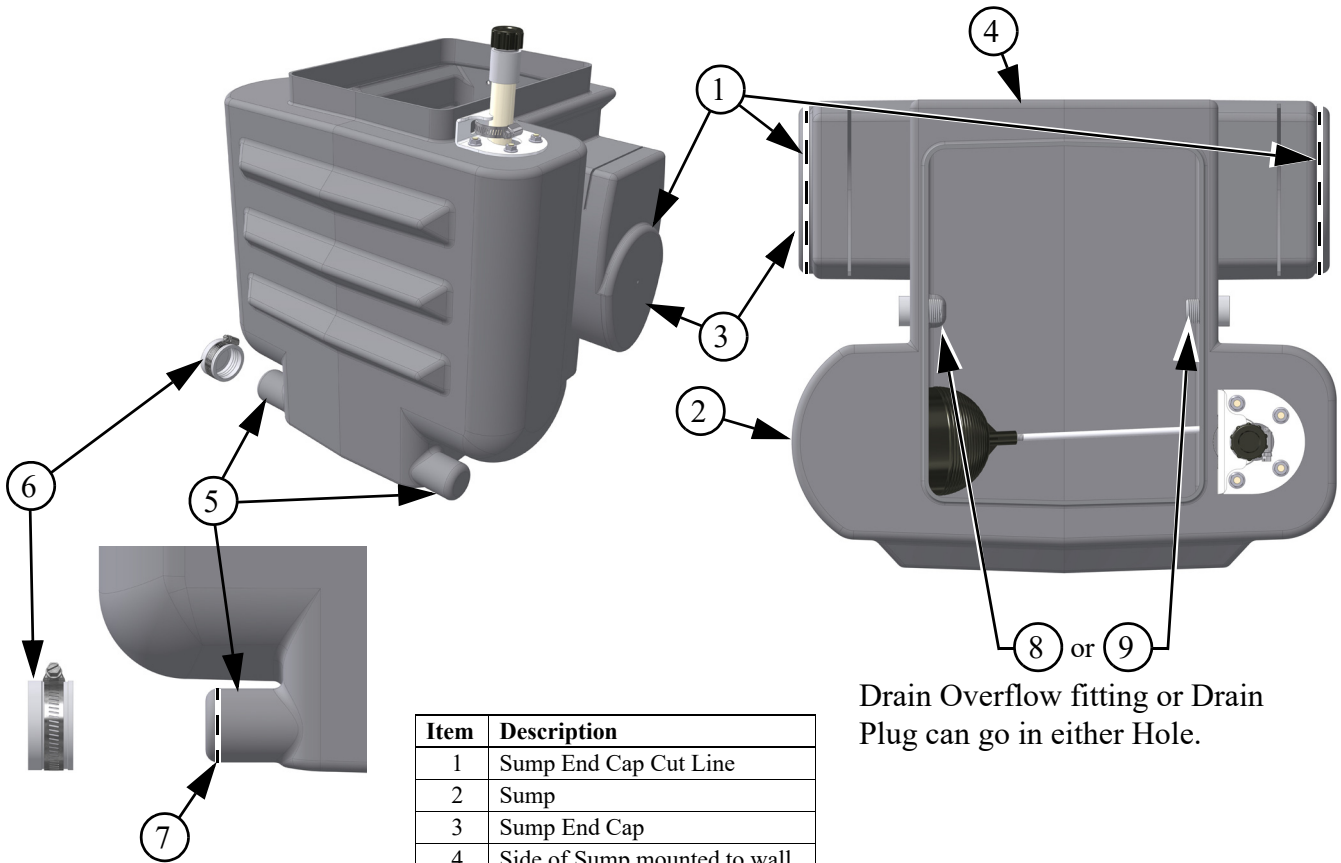
**Note: If installing a large tank, refer to Chore-Time Instruction MV1697 (24" Trough Plumbing Kit).**

## Sump Preparation

If the Sump is to be installed to the right of the Trough, the left side of the Sump will need to be cut at the indicated cut line. If the Sump is to be installed to the left of the Trough, the right side of the Sump will need to be cut at the indicated cut line. To install the Sump in the middle of the system, cut both 1/2" Sump End Caps off the Sump (See Figure 5.). Decide which side of the Sump will be used for the drain and cut off that end. **Make cut for one drain only.** Install the 1-1/2" Rubber Pipe Cap.

Decide which side of the Sump to install the Overflow Fitting. Install a 1/2" PVC Overflow Fitting in the hole.

1/2" PVC pipe can be attached to this fitting to channel overflow water to a drain. Install a Drain Plug in the other Drain Plug hole.



Item	Description
1	Sump End Cap Cut Line
2	Sump
3	Sump End Cap
4	Side of Sump mounted to wall
5	Optional Drain Plug Locations
6	1-1/2" Rubber Pipe Cap
7	Drain Cut Line
8	1/2" PVC Overflow Fitting
9	1/2" Plug

Figure 5.Sump Preparation

### Sump End Clamp Assembly

Place the 2" x 24" self adhesive tape around the Sump End and assemble the Clamp with the Insert as shown in **Figure 6**. Do not tighten down at this time. Trough will be inserted in a later step.

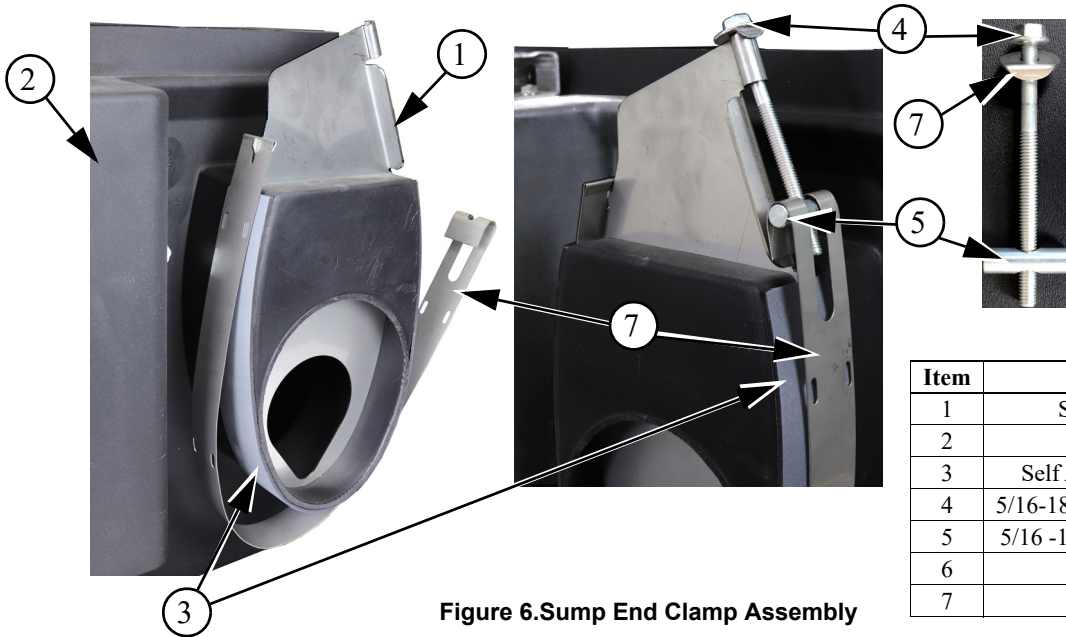


Figure 6.Sump End Clamp Assembly

### Sump Support installation

Align the top holes in the Sump Support Assembly with the Chalk-Line on the Bottom Stringer, with the first top hole 6" [152 mm] away from the inside edge of the framed opening (See **Figure 7**, **Items 2, 6, &7**). Use two 1/4 x 1-1/2" Lag Screws to fasten the Sump Support Assembly to the **Lower 2 x 6 Sump Support** as shown. The top holes will be used later to attach the Sump to the Bottom Stringer.

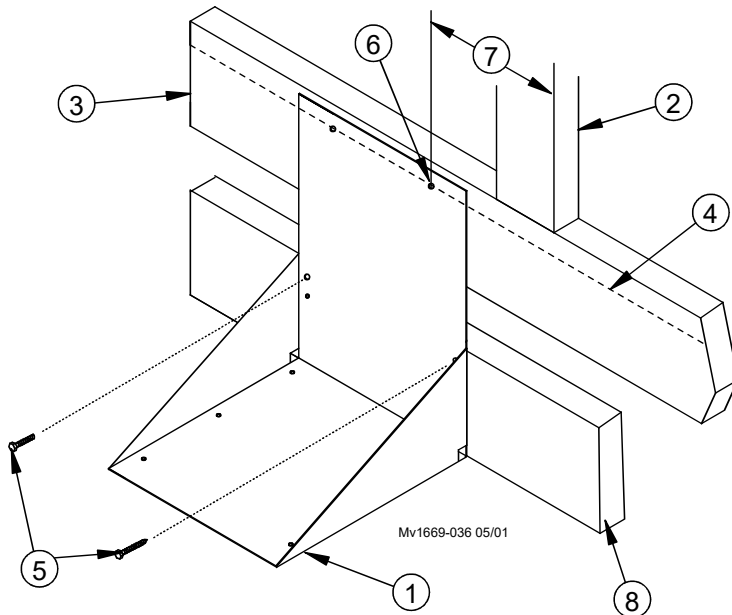
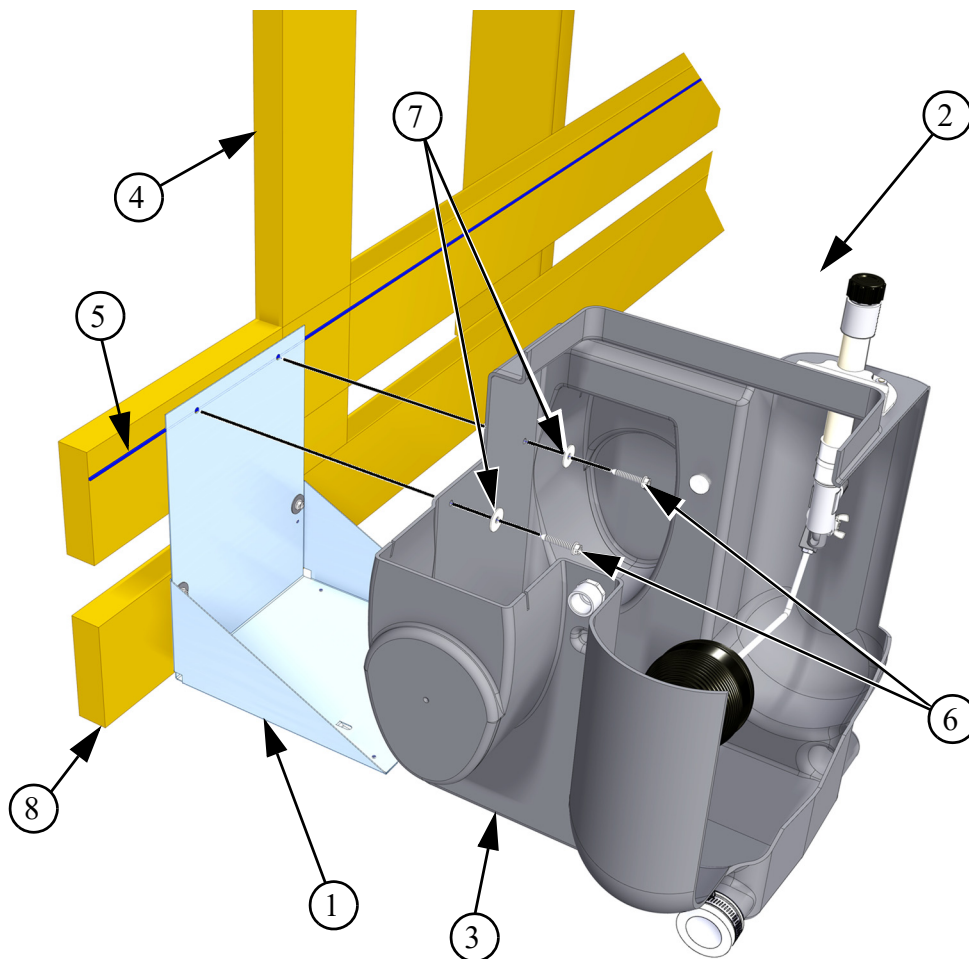


Figure 7.Sump Support Installation

Item	Description
1	Sump Support Assembly
2	Inside Edge of Framed Opening
3	Bottom Stringer
4	Chalk-Line
5	1/4 x 1-1/2" Lag Screws
6	1/4" Hole nearest Framed Opening
7	6" [152mm]
8	Lower 2 x 6 Sump Support

## Attaching the Sump

Align the bottom most set of 1/4" holes in the rear of the Sump with the 1/4" holes in the Sump Support Assembly (See Figure 8.) Attach the Sump and Sump Support to the Bottom Stringer with two 1/4 x 1-1/2" Lag Screws and Washers.



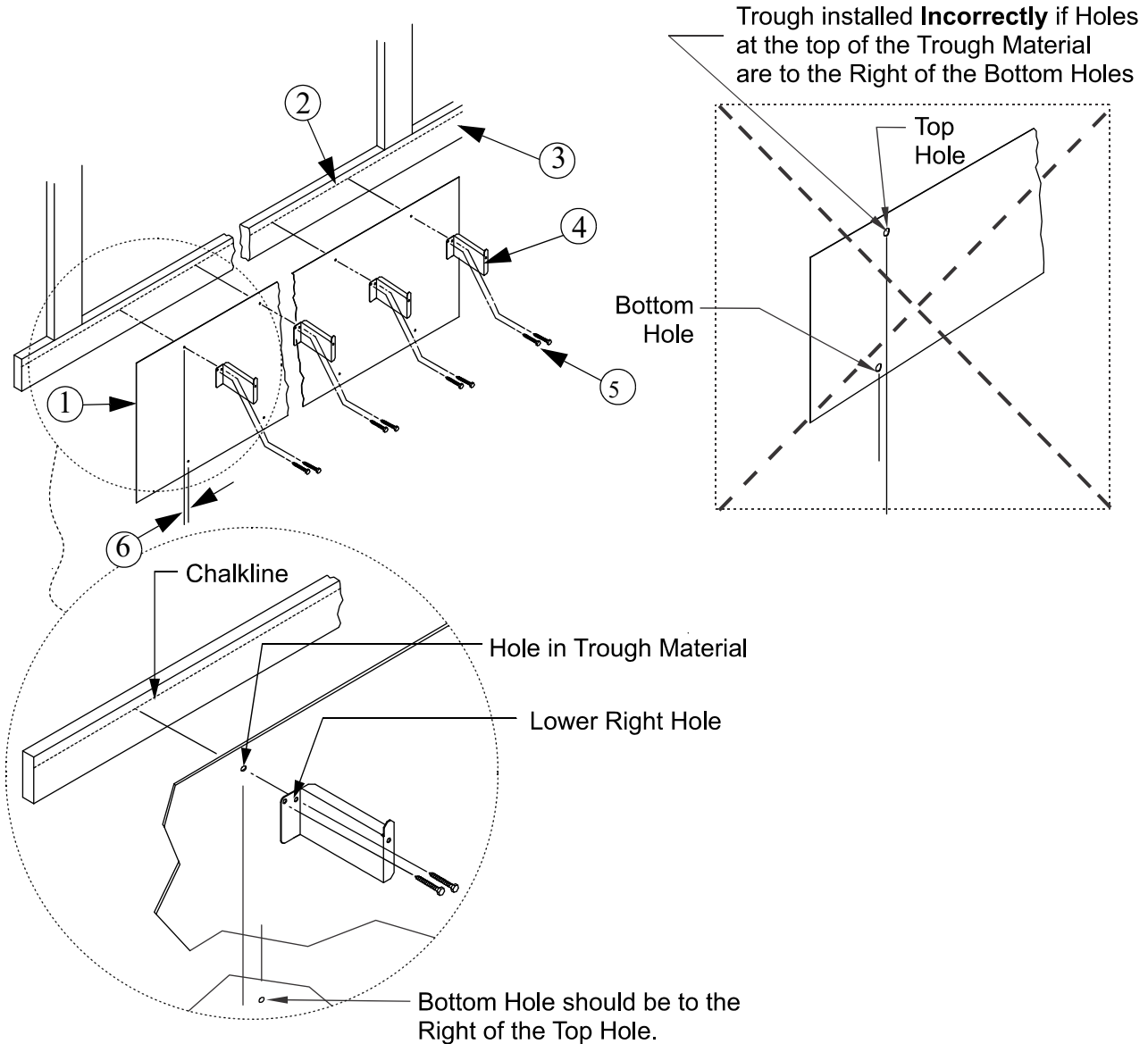
Item	Description	Part No.
1	Sump Support Assembly	
2	Trough end of Sump	
3	Sump	
4	Edge of Framed Opening	
5	Bottom Stringer Chalk Line	
6	1/4 x 1-1/2" Lag Screw	41561
7	1/4" x 1" Washer	2955-52
8	Lower 2 x 6 Sump Support	

Figure 8. Attaching the Sump to the Bottom Stringer

## Trough Installation

Orient the Trough so that the Pattern of holes on top are offset to the left of the holes across the bottom (See Figure 9, Item 6).

Hang the Trough from the Bottom Stringer beginning with one end of the Trough Material **against** the Sump and the top holes in the Trough Material aligned with the Chalk-Line. The top holes in the Trough Material and the Chalk-Line mark the location for the Trough Supports. Use the 1/4 x 1-1/2" Lag Screws to attach the Trough Supports and Trough Material to the Bottom Stringer as shown in Figure 9.



Item	Description
1	Trough Material
2	Bottom Stringer
3	Chalk-Line
4	Trough Support
5	1/4 x 1-1/2" Lag Screw
6	Top Hole Offset to left of Bottom Hole

Figure 9. Installing the Trough

### Trough Installation Continued...

Form the Trough into a "U" shape as shown in **Figure 10** and fasten the Trough to the Trough Support using the 1/4" Drive Rivets. Insert the 1/4" Drive Rivet through the hole in the Trough and the Trough Support. Use a hammer to hit the 1/4" Drive Rivet head to lock it in place. Repeat the process for each Trough Support.

Wipe the inside of the Trough at each end to remove debris that may prevent sealing.

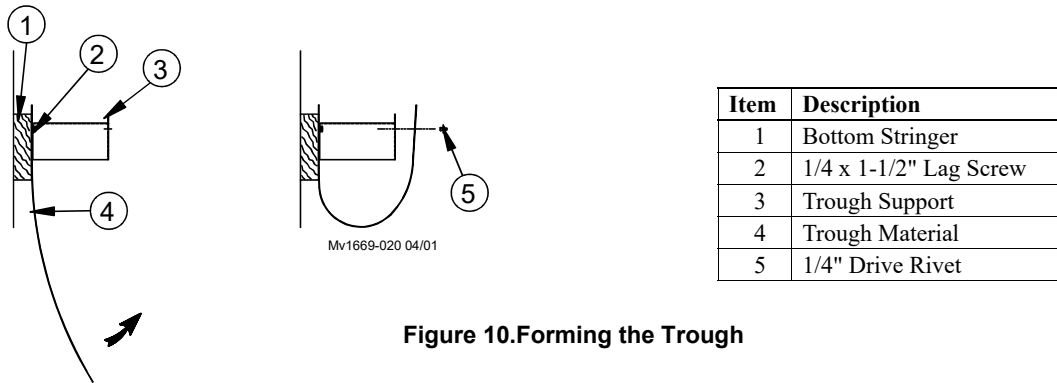


Figure 10. Forming the Trough

### Attaching the Trough to the Sump

At the Sump end hook the free end of the Clamp Strap to the Sump End Insert and tighten the 1/4" clamp bolt to seal the joint between the Trough and the Sump.

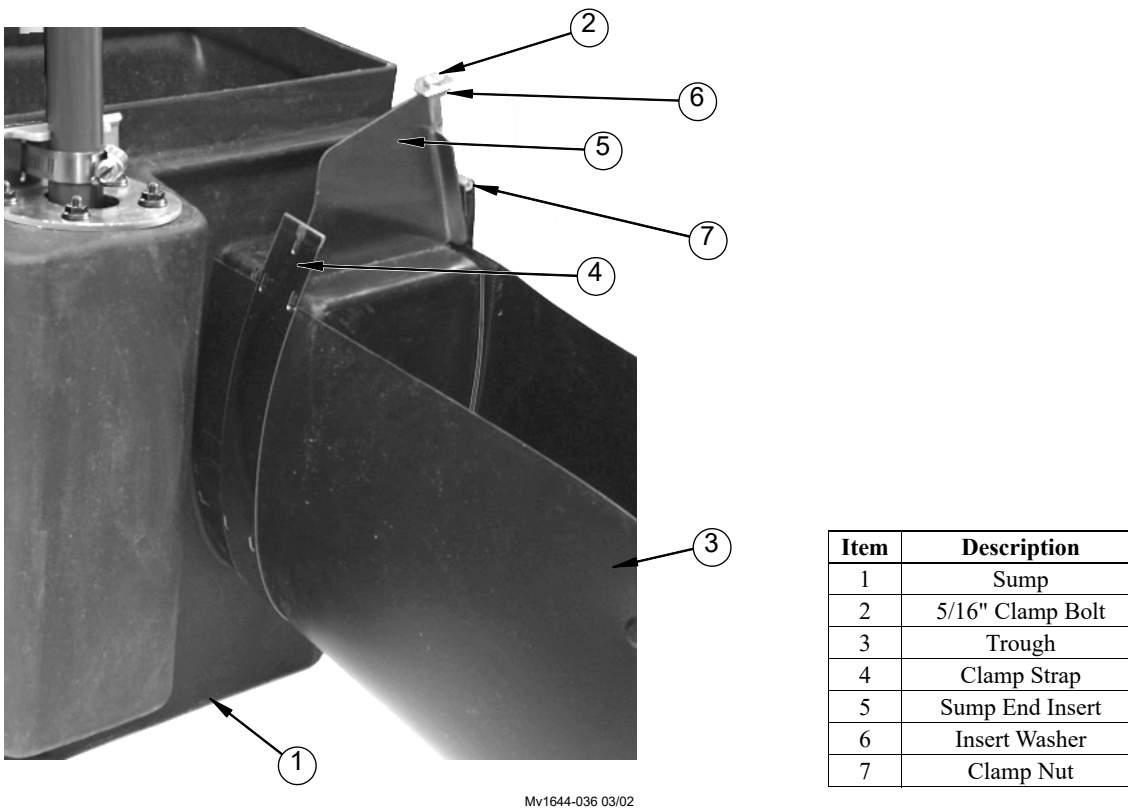
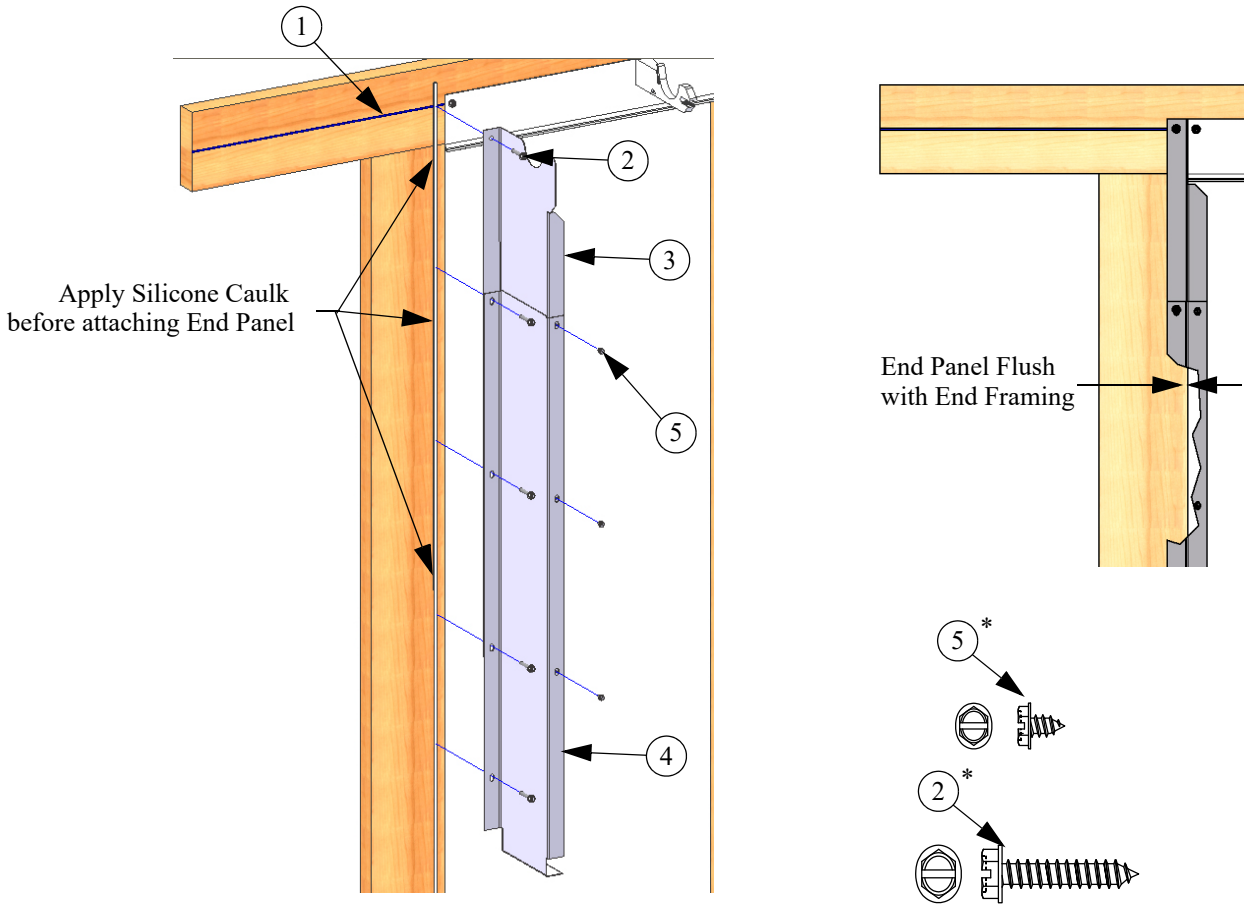


Figure 11. Sump End Insert Assembly

## End Panel Installation

First install the end panels at the Sump end. Install the End panels opposite the Sump end after installing the Deflectors (next step); this makes the system assemble easier due to small variations in system length.

1. Apply a bead of silicone caulk to the end 2 x 4 as shown in **Figure 12**.
2. Install the Upper End Panel flush with the inside edge of the end 2 x 4 with the top hole aligned with the Chalk Line on the Top Stringer. Use a 1/4 x 1-1/2" Screw through the top hole in the Upper End Panel to secure the End Panel in position.
3. Overlap the lower End Panel on the outside of the Upper End Panel to provide proper watershed. Align the holes in the Upper and Lower End Panels keeping the Panels flush with the inside edge of the end 2 x 4. Use 1/4 x 1-1/2" Screws to attach the End Panels to the end 2 x 4's.



Item	Description
1	Chalk-Line on top stringer
2	1/4 X 1-1/2" S.S. Screw
3	Upper End Panel
4	Lower End Panel
5	#10 x 1/2 S.S. Screw
*Not actual size; shown for comparison only	

Figure 12. End Panel Installation

### Water Deflector Installation (PVC and Metal shown)

Install Deflectors (Item 1A if Metal, or 1B if PVC, Figure 13) on the Pipe Supports (Item 2A if Metal, or 2B if PVC) as shown. Use Deflector Couplers (Item 5) to cover the joints between adjacent Deflectors. Install the End Panels leaving a 1/8" gap between themselves and the last Deflector.

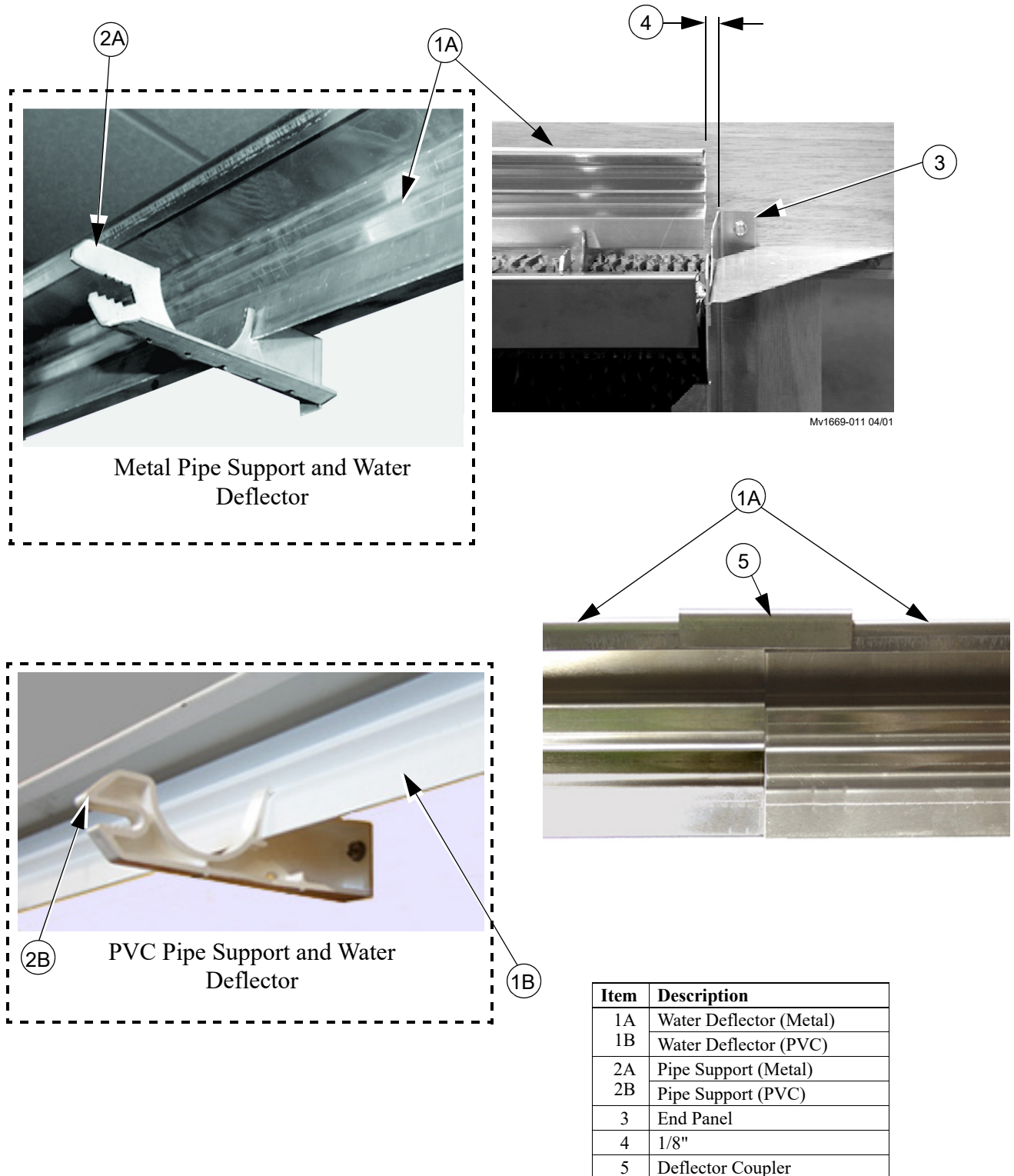


Figure 13. Water Deflector Installation

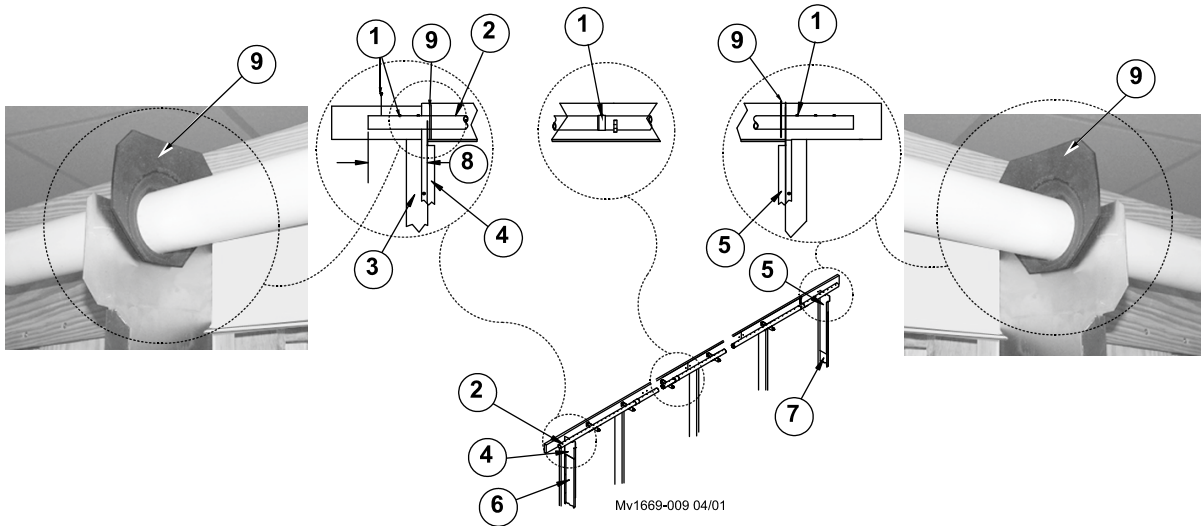


## Distribution Pipe Installation

1. Set this Distribution Pipe on the Pipe Hangers above the Sump end of the Trough.

**Note: The belled end must be away from the Sump end. See Figure 14.**

2. Assemble the remaining Distribution Pipes by inserting the straight end of one pipe into the belled end of another. Align a hole in the belled end with the hole in the straight end and join the pipes using a 1/4 x 1/2" Screw through these holes. It is not necessary to glue the distribution pipes together.
3. At the Sump End of the system the Distribution Pipe should extend 8" [20.32 cm] beyond the edge of the End Panel. (See Figure 14, Item 8) The Pipe should extend at least 6" past the opposite End Panel.
4. Install a 1/4 x 1/2" Screw in each spray hole that falls outside the End Panels at either end.
5. Install Distribution Pipe Gasket inside the End Panels at both ends of the system as shown **below** in Figure 14.



Item	Description
1	1/4 x 1/2" S.S. Screw
2	5' Distribution Pipe
3	Framing @ Sump End
4	Upper End Panel (L.H.)
5	Upper End Panel (R.H.)
6	Lower End Panel (L.H.)
7	Lower End Panel (R.H.)
8	8" [20.32 cm] Approximately at Sump end
9	Distribution Pipe Gasket

**Figure 14. Distribution Pipe Installation**

## End Panel Support Installation

Install the End Panel Support at both ends using 1/4 x 1-1/2 Lag Screws, as shown in **Figure 15**. The End Panel Supports hold the End Panels against the Pads and keep them perpendicular to the Top Stringer.



1

2

Mv1669-010 04/01

Item	Description
1	1/4 x 1-1/2 Screws
2	End Panel Support

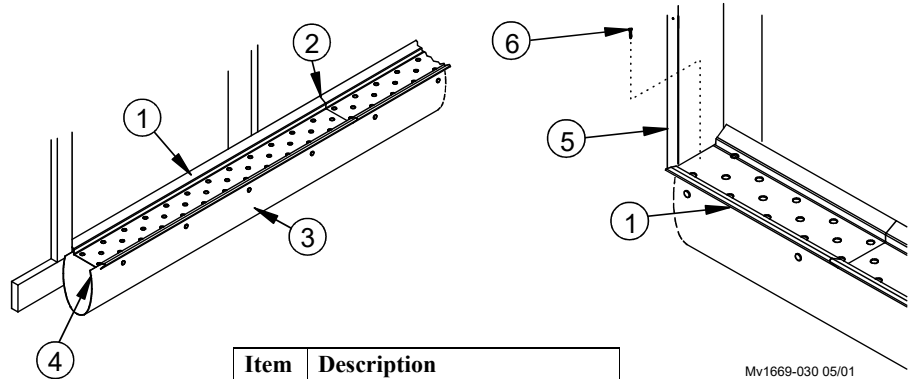
**Figure 15.**End Panel Support Installation

## Pad Support Installation

Set the Pad Supports on the Trough Supports, as shown in **Figure 16**. The front edge of the Trough should be captured inside the cavity on the front of the Pad Support.

Butt the Pad Supports end to end, beginning at the Sump End Panels. The length of the last Pad Support can be trimmed if it is too long to fit in the remaining space. Attach the Pad Support at either end to the flange in the Lower End Panel with a #10 x 1/2" SS Screw. (See **Figure 16**. below)

**Note:** Sump components and End Panels not shown for clarity.



Mv1669-030 05/01

Item	Description
1	Pad Support
2	Pad Supports butted together
3	Trough
4	Front edge of Trough
5	Lower End Panel
6	#10 x 1/2 SS Screw

**Figure 16.**Pad Support Installation

### Caulking the End Panels

Fill the joint at the rear of each end panel with caulking (not supplied) as shown in Figure 17 below.

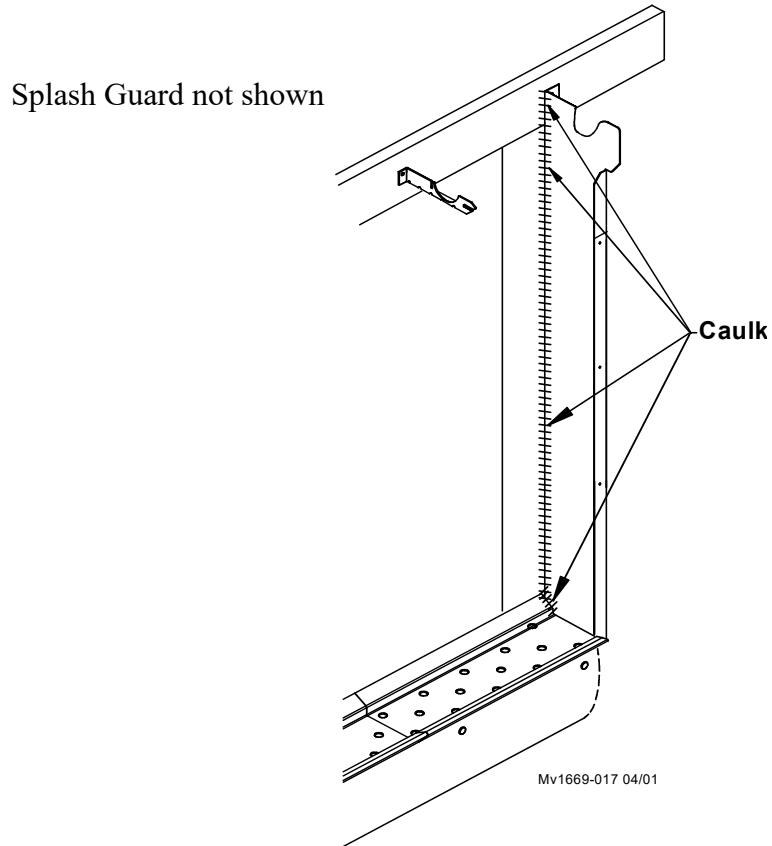
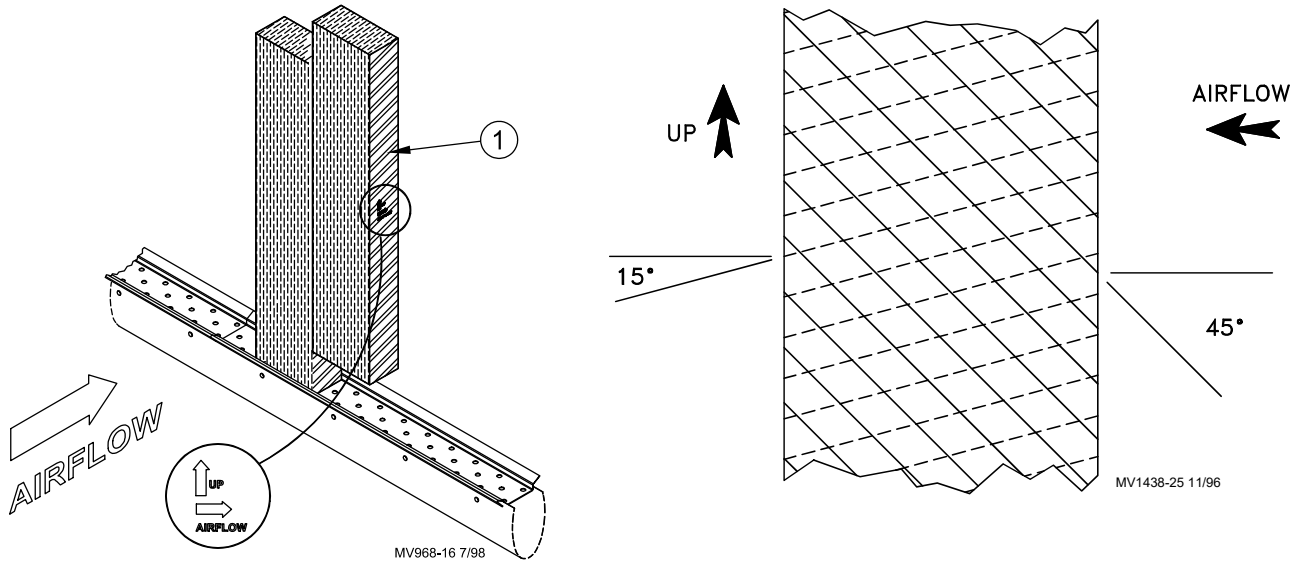


Figure 17.Caulking the End Panels

## Evaporative Cooling Pad Installation

- Beginning at one end, set the Evaporative Cooling Pads on the Pad Supports. See **Figure 18**. The top of the Pads should be against the Top Stringer and directly below the Distribution Pipe.
- Make sure the Pads are properly oriented.
- MUNTERS and/or GENERAL SHELTERS Pads:** Refer to the directional arrows on the side of the pads.
- Make sure the first pad is against the End Panels.
- Push Pads tightly together and keep as vertical as possible.
- It may be necessary to use a hand-saw to trim the last Pad to fit the remaining opening.

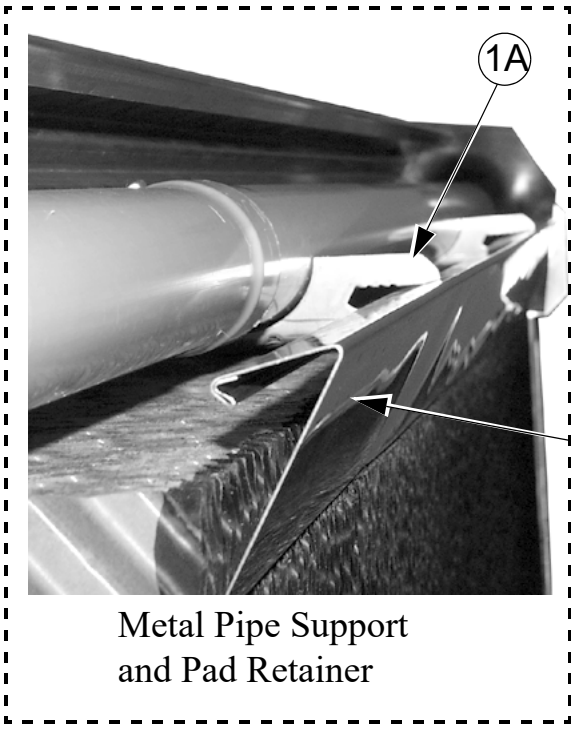


Item	Description
1	Munters and/or General Shelters Pad

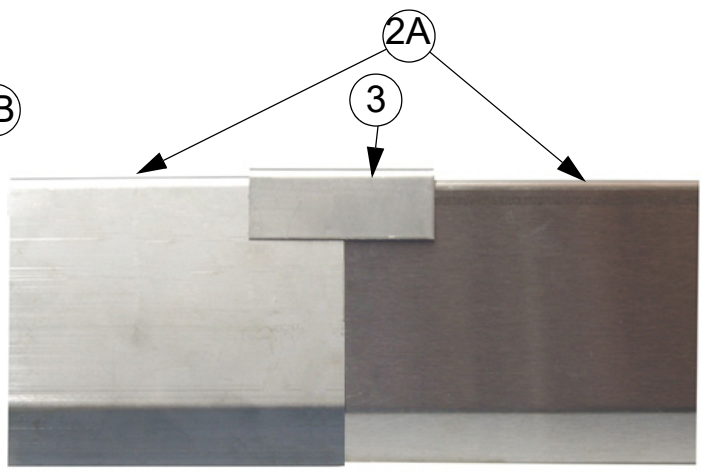
Figure 18. Pad Installation

### Pad Retainer Installation

Install the Pad Retainer (Item 2A if Metal, 2B if PVC) as shown in Figure 19. below. Lock the Pad Retainer in place by tapping it with the heel of your hand. Cover the joint between adjacent Pad Retainers with the Pad Retainer Couplers.



v1669-015 04/01



Item	Description
1A	Pipe Support (Metal)
1B	Pipe Support (PVC)
2A	Pad Retainer (Metal)
2B	Pad Retainer (PVC)
3	Pad Retainer Coupler

Figure 19. Pad Retainer Installation

For future reference, to remove the Pad Retainers, grasp and twist the Pad Retainers as shown in Figure 20.

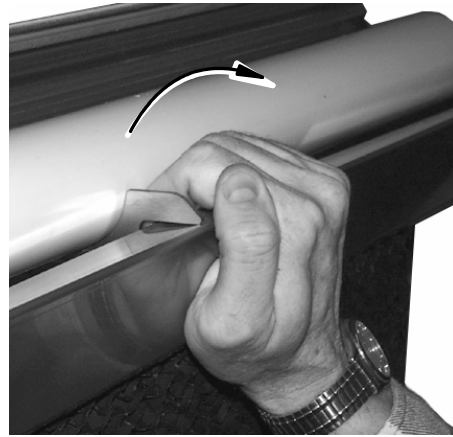
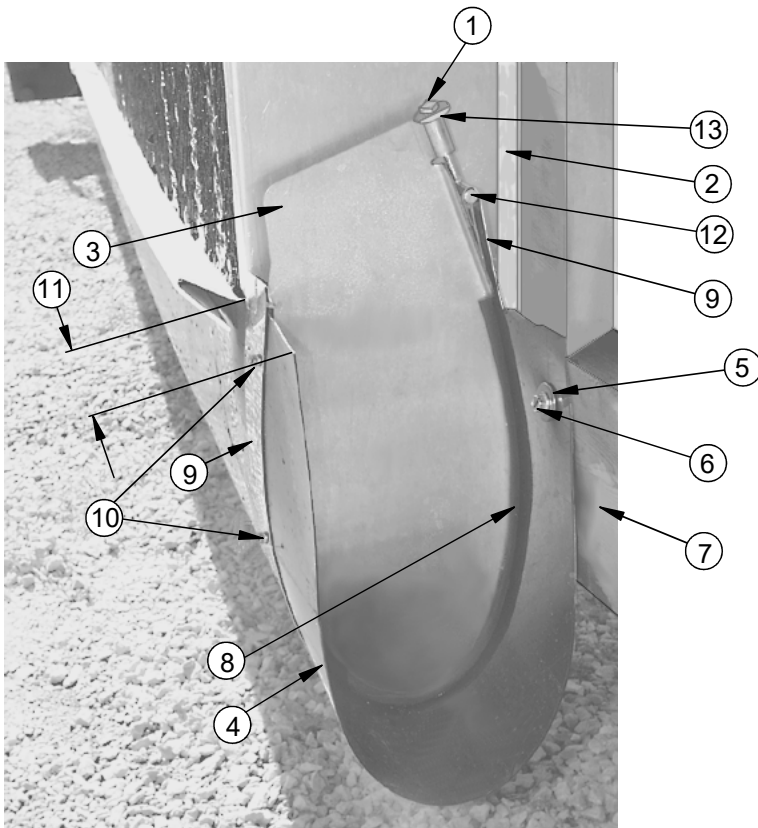


Figure 20. Removing the Pad Retainer

### Trough End Insert Installation

On the Trough end opposite the Sump, cut off the Trough leaving 4"- 6" of Trough extending beyond the End Panel. Assemble the Trough End Insert assembly as shown. Be sure the Insert is centered on the Clamp Strap before tightening the Clamp Bolt. Install two #10 x 1/2" Screws through the Clamp Strap into the Trough. Be sure the Screws are on the exterior side of the Trough End Insert. Screw the Trough to the 2 x 6 Bottom Stringer using a 1/4"x1-1/2" Lag Screw and a 1/4"x1" Washer. (Items 5 & 6)



MV1644-037 03/01

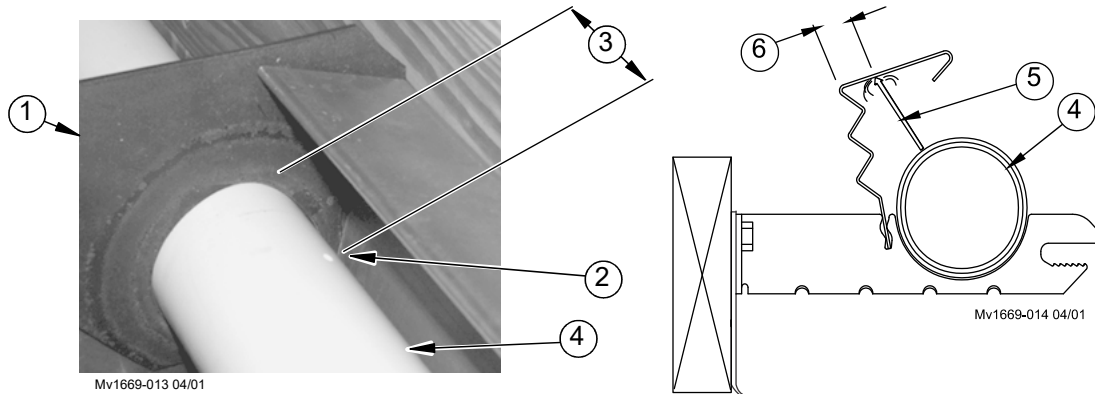
Figure 21. Trough End Insert Installation

Item	Description
1	5/16" x 4-1/2" Clamp Bolt
2	Lower End Panel
3	Trough End Insert
4	Trough
5	1/4" x 1" Washer
6	1/4" x 1-1/2" Lag Screw
7	2 x 6 Bottom Stringer
8	1/8" Rubber Edge Trim
9	Clamp Strap
10	#10 x 1/2" Screws
11	4"-6" Trough beyond End Panel
12	5/16-18 x 1.5" Clamp Nut
13	Insert Washer

## Distribution Pipe Orientation

Orient the Distribution Pipe so there is approximately 2" from the Distribution Pipe Gasket to the first hole in the Distribution Pipe at the Sump End of the system as shown in **Figure 22** below.

Rotate the Distribution Pipe so the water jet spraying from the holes will hit the deflector about 3/4" from the rear of the Deflector as shown. Maintain this orientation of the Distribution Pipe while gluing the PVC fittings on to both ends of the Distribution Pipe.



Item	Description
1	Distribution Pipe Gasket
2	1st Hole in Dist. Pipe
3	2"
4	Distribution Pipe
5	Water Jet
6	3/4"

**Figure 22. Orientating the Distribution Pipe**

## Sump Components Installation

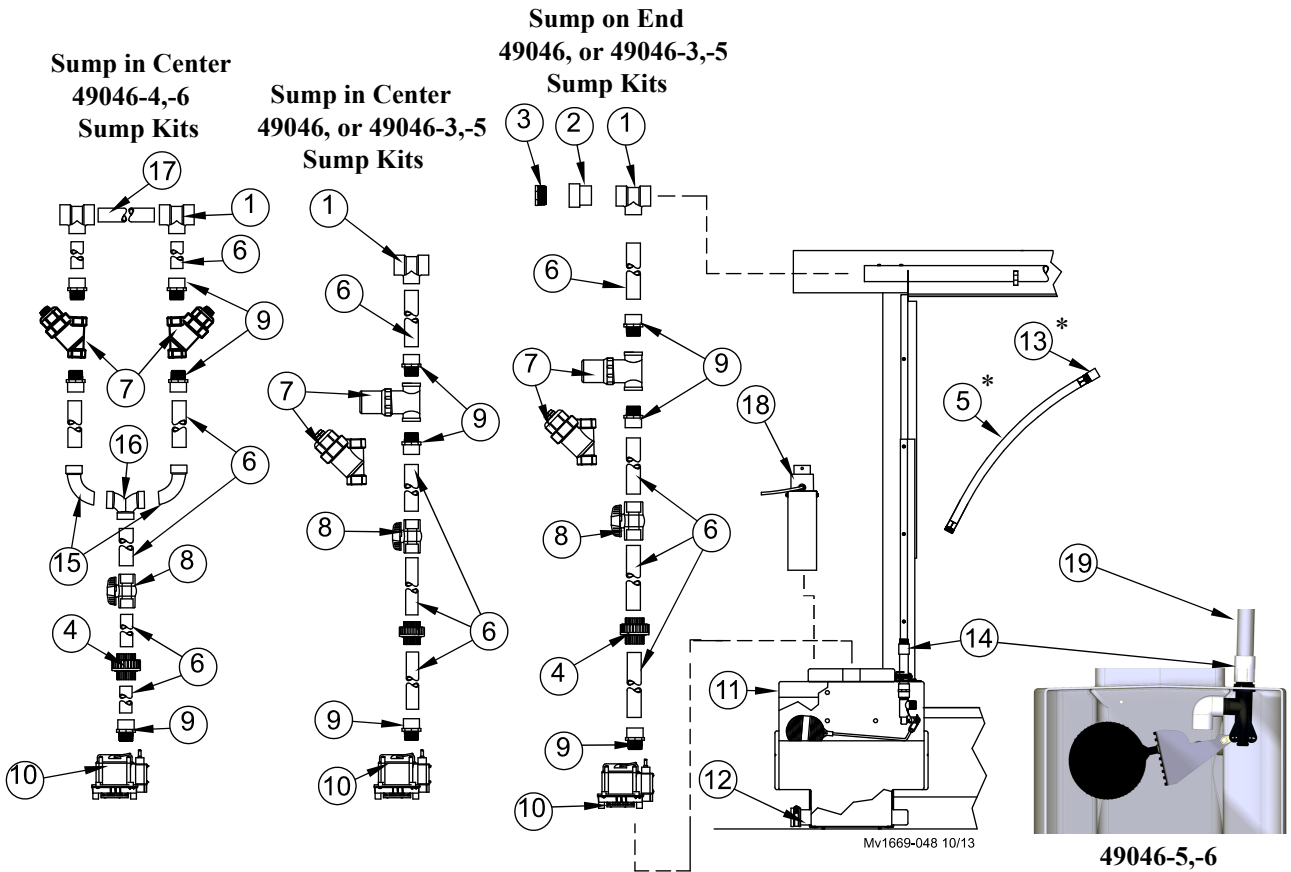
Assemble the Sump Components as shown in **Figure 23**, beginning at the Pump. The lengths of 1-1/2" PVC Pipe **Item 6** will vary depending on desired Valve height, Pad height, etc.

Use teflon tape on threads as required. Use PVC glue on slip connections.

Attach an electrical plug (if not supplied) to the Sump Pump electrical cord.

Flush all dirt from the water supply lines. Install the Garden Hose to the water supply and connect to the inlet on the Sump.

Install Water Level Safety Switch (**Item 18**) per Instruction **MV1679** that comes with the Switch.



Item	Description
1	1-1/2 x 2 x 2" PVC Tee
2	Adapter, 2" PVC
3	Plug 2" PVC Pipe MPT
4	1-1/2" Union
5*	Water Supply Inlet Hose
6	1-1/2" PVC Pipe
7	1-1/2" FNPT Strainer Assembly (Sump Kit 49046) 1-1/2" Y Strainer (Sump Kits 49046-3, -4, -5, and -6)
8	1-1/2" Ball Valve
9	1-1/2" PVC Adapter

\*Not included in 49046-5 or 49046-6 Sump Kits

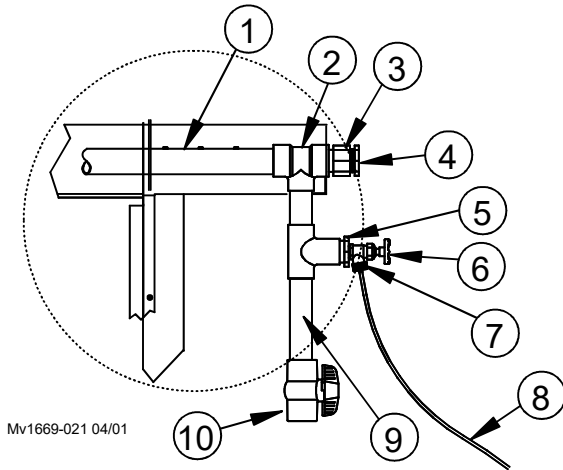
Item	Description
10	Sump Pump
11	Sump
12	1-1/2" Rubber Pipe Cap
13*	Garden Hose to 3/4" Pipe Adapter
14	Sump Water Inlet
15	Elbow, 1-1/2 Long Sweep 1/4 bend
16	PVC Y, 1.5 Double 1/4 Bend
17	2" PVC Pipe x 8"
18	Water Level Safety Switch
19	1" PVC Pipe

Figure 23. Orientating the Distribution Pipe



## Sediment Trap Installation

Install Sediment Trap Parts as shown below in **Figure 24**.

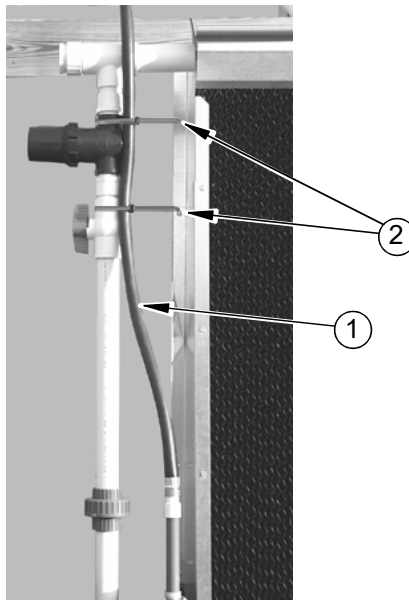


Item	Description
1	End of Distribution Pipe
2	2" x 1-1/2" PVC Tee
3	2" PVC SPIG x FIPT Adapter
4	2" PVC MPT Plug
5	1-1/2" x 3/4" Bushing Reducer
6	3/4" Water Bleed-off Valve
7	Hose Barb Cap
8	1/4" Bleed-off Hose
9	1-1/2" PVC Pipe Sediment Trap
10	1-1/2" Ball Valve

**Figure 24. Sediment Trap Installation**

## Securing Water Supply Inlet Hose

Secure the Water Supply Inlet Hose (**Figure 25, Item 1**) to keep it from moving around. Movement of the Hose could cause the Float Valve to operate incorrectly.



Mv1670-048 02/02

Item	Description
1	Water Supply Inlet Hose
2	Cable Tie with UV Stabilizer

**Figure 25. Orientating the Distribution Pipe**

# System Start-Up

1. Partially fill Trough with water.
2. Flush dirt and debris from the Trough by removing the Sump Drain Cap.
3. Set Initial Water Level

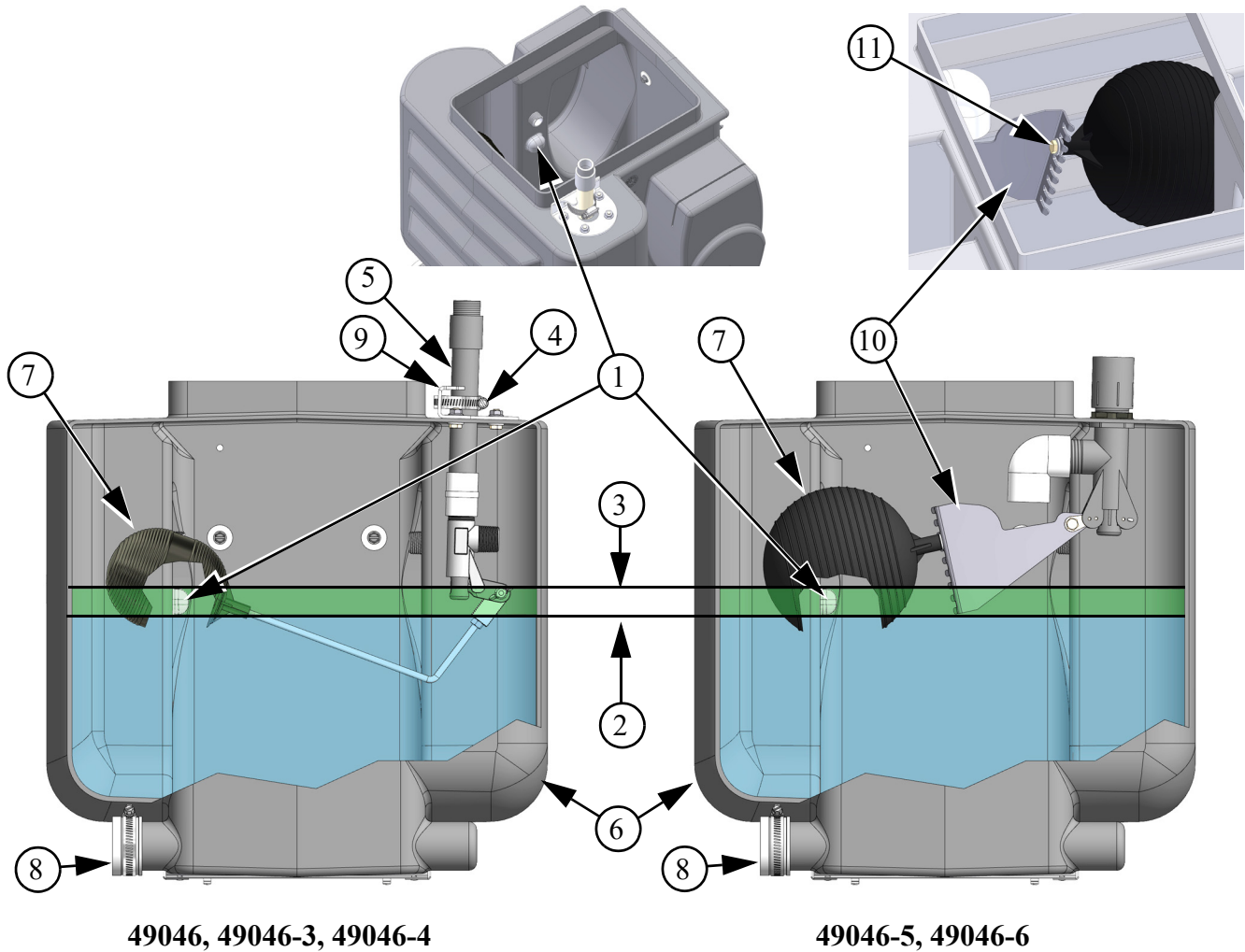
**For 49046, 49046-3, and 49046-4**

Refill system with water. With the Hose Clamp (**Item 4**) loose, raise/lower the 3/4" Pipe (**Item 5**) to adjust the Initial Water Level. Use the Water Level Indicator Bulb (**Item 1**) to set Initial Water Level height as shown and Re-tighten the Hose Clamp (See Figure 26. below).

**For 49046-5, and 49046-6**

Refill system with water. Loosen the Float ball Adjustment Bolt (**Item 11**) and move Float Ball to appropriate notch in the valve arm (**Item 10**) to adjust the Initial Water Level using the Water Level Indicator Bulb as shown.

4. Check that the Float Ball is not rubbing against the side of the Sump.



Item	Description	Item	Description	Item	Description
1	Water Level Indicator Bubble	5	3/4" PVC Pipe	9	Sump Inlet Support Bracket
2	Initial Water Level Minimum	6	Sump	10	Valve Arm
3	Initial Water Level Maximum	7	Float Ball	11	Float Ball Adjustment Bolt
4	Hose Clamp	8	1-1/2" Rubber Pipe Cap		

Figure 26. Securing the Water Supply Inlet Hose

**After the system runs for a while and turns off, the water level will rise 1.5-3.0" above the level it was initially set at.**

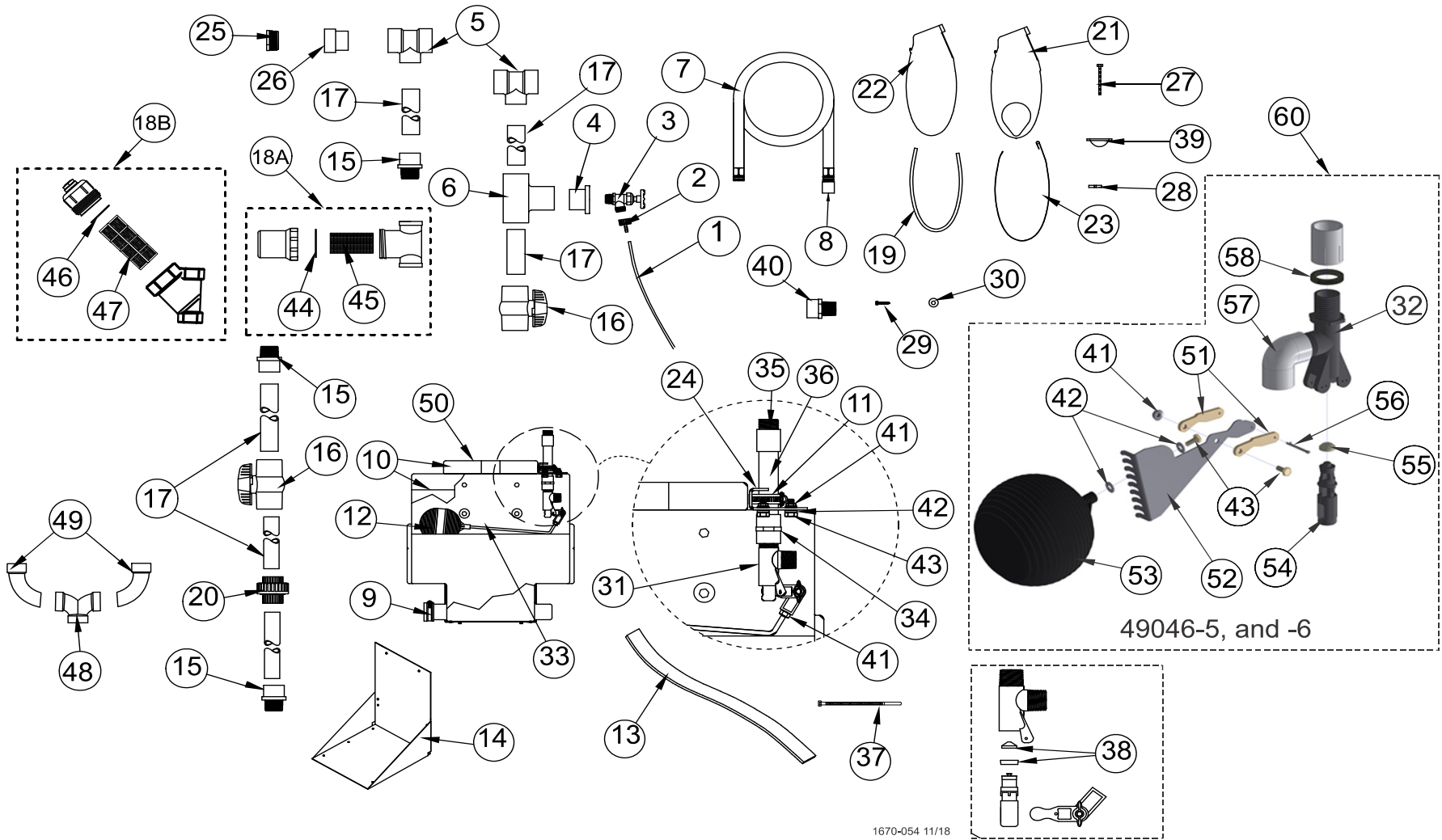
5. Open the valve in the pump discharge pipe.
6. Flush dirt and debris out of the Distribution Pipe by running the Pump with the Ball Valves opened. After flushing the pipe out, close the Ball Valve at the end opposite the Sump.
7. With the Pump running, open the Ball Valve above the pump as wide as possible without excess water splashing out of the system.
8. If bleed-off is to be used, Adjust the Bleed Off Valve to a flow rate of 0.25 gpm per 100 sq ft. of Evaporative Cooling Pad.  
The correct amount of bleed-off depends on the amount of minerals and chemicals in the water.  
  
The bleed off rate can be adjusted over time, but should be maintained high enough to prevent mineral deposits from accumulating on the face of the Evaporative Cooling Pad.

## System Operation & Maintenance

1. Reduce the mineral and chemical build-up in water by;
  - a). Bleeding water off the system. Begin by adjusting the Bleed-Off Valve to drain.25 gpm/100 sq ft. of Cooling Pad while the Pump is running. Increase the bleed-off rate if minerals build up on the face of the Cooling Pad
  - b). Draining all the water from the system once a week during operating season. Increase the frequency if minerals build up on the face of the Cooling Pad.
2. Shade the pads as much as possible to minimize algae growth.
3. Allow the pads to dry out completely once every 24 hours to kill algae.
4. Reduce the number of times the pad is wetted and dried out each day to maximize pad life.
5. Clean the strainer regularly to maintain a sufficient supply of water to the pads.
6. Periodically check the jets of water from the top of the Distribution Pipe.
7. Keep the Distribution Pipe holes free of debris. A 5/32" drill bit may be used to clean the holes or a large round brush may be attached to 3/4" pvc pipe and pushed through the Distribution Pipe to clean out the holes. The 2" Pipe Plugs at either end of the Distribution Pipe can be removed to allow cleaning brush access. Clogged holes may cause dry streaks and lead to clogging of the pad.
8. Regularly flush the Distribution Pipe by opening the 1-1/2" Ball Valve at the end of the sediment trap and allowing the pump to run. **See Figure 24 (on page 25)**
9. Periodically, gently hose and brush deposits from the face of the pads.
10. Completely drain the system for winter storage. Remove the Sump Drain Cap. Remove the Pump.
11. Avoid contaminants such as dust, fertilizers, and harsh cleaners.
12. The pH of the water being circulated through the system should be maintained at between 6 and 8 to prevent premature pad softening.
13. Check that Cooling Pads are installed correctly. **See Figure 18. and Figure 19. on page 21**
14. The water holding capacity of pads increases as pads age. This extra water raises the Sump water level when the system shuts down. To prevent overflow at shut down, slightly lower the float level.

# Parts Lists and Kits

## Sump Kits 49046, 49046-3,-4,-5, and -6



1670-054 11/18

\* The 5' PVC Pipe is not supplied with the Sump Kits. It is included in the End Panel Kit (Part No. 41482) or the 44979-xx Pad Frame Kit.

## Part Numbers

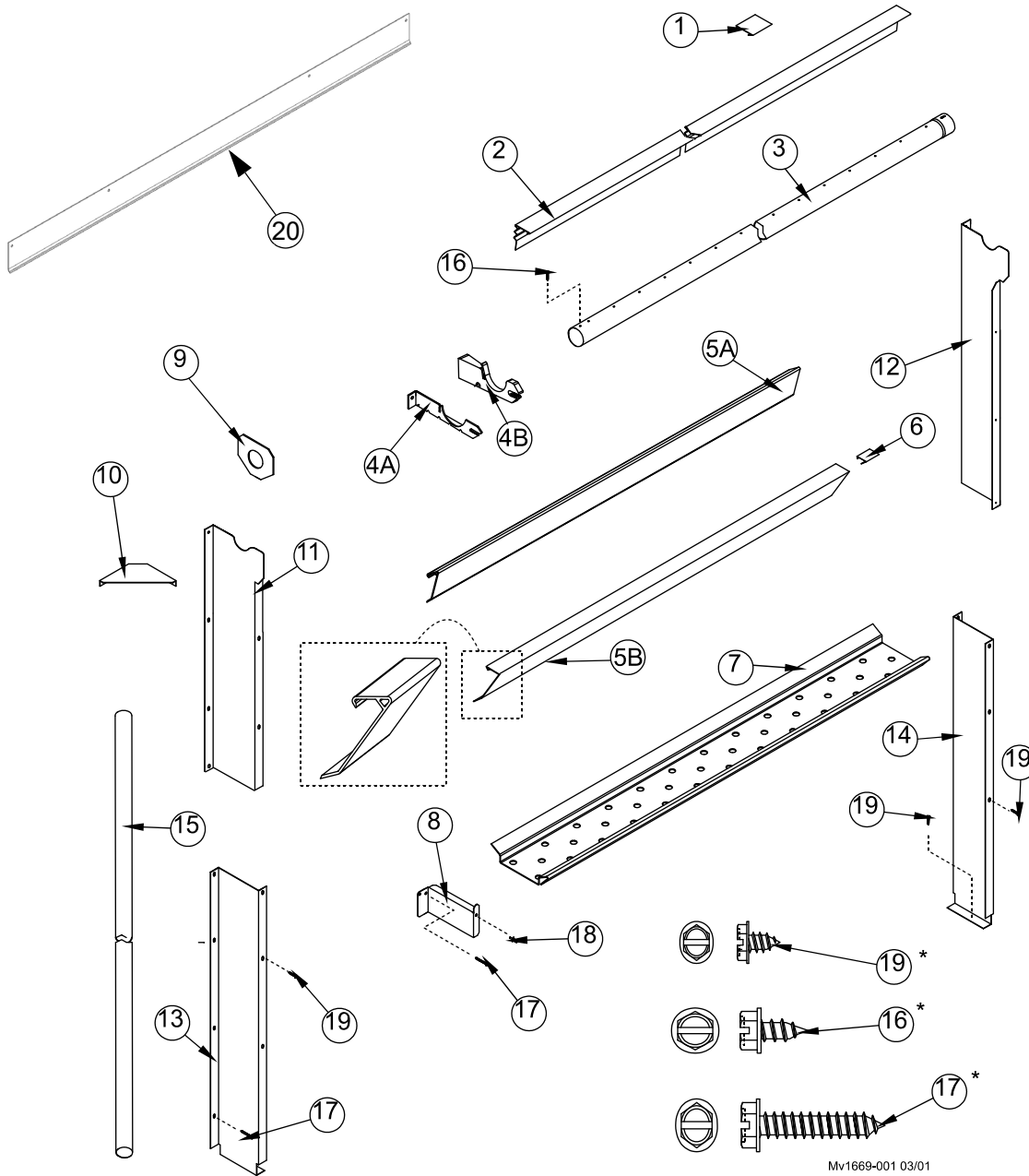
Item	Description	Part No.	Qty
1	1/4" Black Bleed Off Hose	14454-144	1
2	Hose Barb Cap	24111	1
3	3/4" Bleed-off Valve	9255	1
4	1-1/2" x 3/4" Reducer Bushing	38672	1
5	1-1/2 x 2" x 2" PVC Tee	41427	2
6	1-1/2" PVC Tee	38618	1
7**	Hose	36654	1
8**	Garden Hose to 3/4" Pipe Adp.	14605	1
9	1-1/2" Rubber Pipe Cap	47939	1
10	Turbo Cool Sump	49047	1
11	1-1/2" SS Hose Clamp	3651	1
12A	Ball, Float (Sump Kit 49046)	45985	1
12B	Ball, Large Float (Sump Kits 49046-3, and 49046-4)	50797	1
13	1-1/2 x 24" Foam Tape	41708-2	1
14	Sump Support Bracket Assembly	46448	1
15	1-1/2" PVC Adapter	38627	3
16	1-1/2" PVC Valve	44039	2
17*	1-1/2 x 5' PVC Pipe	38677	2
18A	1-1/2" FNPT Strainer Assembly (Sump Kit 49046)	38731	1
18B	1-1/2" "Y" Strainer Assembly (Sump Kit 49046-3, -5)	48546	1
	" (Sump Kit 49046-4, -6)	"	2
19	Trim, 1/8" Rubber Edge	46310-1	1
20	1-1/2" Union	44040	1
21	Sump End Insert	46033	1
22	Trough End Insert	46309	1
23	Insert Clamp Strap	46100	2
24	Sump Inlet Support Bracket	48471	1
25	Plug 2" PVC MPT	45749	2
26	Adapter 2" PVC Spig x FIPT	45748	2
27	5/16" x 4-1/2" Clamp Bolt	52607	2
28	5/16-18 x 1.5" Clamp Nut	52606	2
29	Screw, 1/4 x 1-1/2 Lag	41561	3
30	Washer, 1/4 x 1	2955-52	3

Item	Description	Part No.	Qty
31A	Valve,PVC Float .30 Orifice (Sump Kit 49046)	45989	1
31B	Valve,PVC Float .50 Orifice (Sump Kits 49046-3, and 49046-4)	48545	1
32	PT100SS Valve Body	56032	1
33A	Rod, Float 12" 73° (Sump Kit 49046)	46202	1
33B	Rod, Float 10" 65° (Sump Kits 49046-3, and 49043-4)	50845	1
34	Adapter, 3/4" PVC Female	8160	1
35	Adapter, 3/4" FS x GHT	14605	1
36	Pipe, 3/4" x 9-1/2" PVC	7514-11	1
37	Cable Tie with UV Stabilizer	48103	2
38	PVC Valve Seal Kit (Repair Part)	46428	-
39	Insert Washer	52609	2
40	Overflow fitting	9067	1
41	1/4-20 SS Hx Flg. Nut	46298	5
42	.281 x .625 x .066 SS Washer	8915	4
43	1/4-20 x .625 SS Bolt	4404-7	4
44	O-Ring, (Repair Part for 38731 T-Strainer)	46427	-
45	Screen SS 20 Mesh (Repair Part for 38731 T-Strainer)	46426	-
46	Seal, (Repair Part for 48546 Y-Strainer)	50731	-
47	Screen, SS 20 Mesh (Repair Part for 48546 Y-Strainer)	51742	
48	PVC Y, 1.5 Double 1/4 Bend (Sump Kit 49046-4, -6)	51302	1
49	Elbow, 1-1/2 Long Sweep 1/4 bend (Sump Kit 49046-4, -6)	51301	2
50	Sump Lid (Replacement)	50108	-
51	PT100SS Valve Arm Guide	56031	2
52	PT100SS Valve Arm	56030	1
53	6" Float Ball	50797	1
54	PT100SS Valve Piston	56033	1
55	Disc PT100SS Valve Seal	56034	1
56	.125 x 1.5 SS Cotter Pin	2663-1	1
57	1" SXFT PVC Elbow	56036	1
58	1" Nylon Lock Nut	54689	1
59	1" SCH 40 PVC Female Adapter	55542	1
60	PT100SS Water Valve Retrofit Assembly	56029	-
--	Maintenance Card	MV1672	1

\* The 5' PVC Pipe is not supplied with the Sump Kits (Part No. 49046, 49046-3,-4,-5,-6). It is included with the End Panel Kit (Part No. 41482) or the 44979-xx Pad Frame Kit.

\*\*Not included with 49046-5, or 49046-6 Sump Kits.

### 46587-XX (Metal Frame Kits), 55440-5,-20 (PVC Frame Kits), and 55438 (Frame End Kit) Turbo-Cool™ w/Open Top

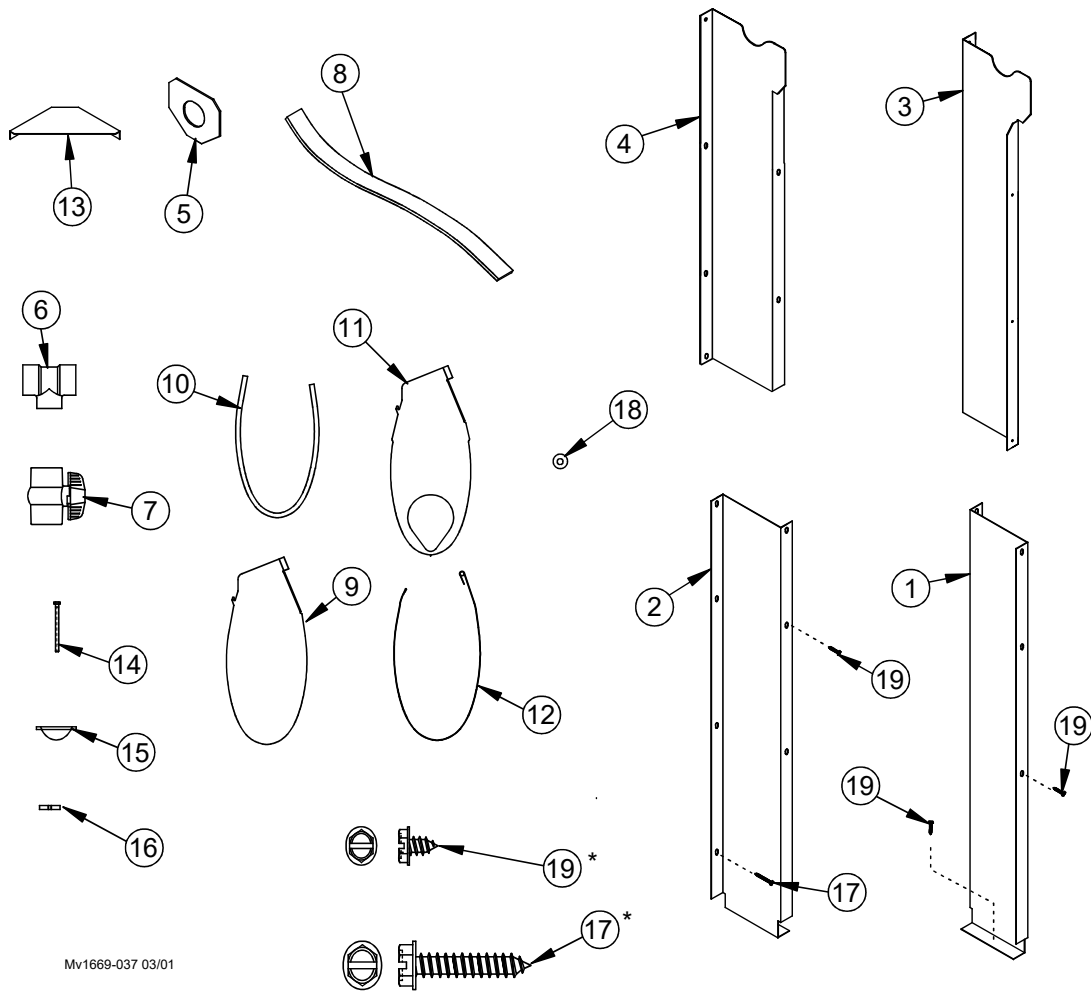


MV1669-001 03/01

Item	Description	Part No.
1	Deflector Coupler	46558
2	Deflector (Metal)	46557
	Deflector (PVC)	50682
3	Distribution Pipe PVC 2"	41333
4A	Pipe Support (Metal)	46551
4B	Pipe Support (PVC)	50674
5A	Pad Retainer (Metal)	46550
5B	Pad Retainer (PVC)	50683
6	Pad Retainer Coupler	46669
7	Turbo-Cool™ Pad Support	41344
8	Turbo-Cool™ Trough Hanger	41345
9	Dist. Pipe End Gasket	46585
10	End Panel Support	44391

Item	Description	Part No.
11	Evap. End Upper LH End Panel	46556-2
12	Evap. End Upper RH End Panel	46556-1
13	Evap. End Lower LH End Panel	46555-2
14	Evap. End Lower RH End Panel	46555-1
15	1.5 x 5ft. PVC Sch40 Pipe	38677
16	1/4 x 1/2 SS HXWH Screw	46689
17	1/4 x 1-1/2 SS HXWH Lag Screw	41561
18	1/4" BLK NY Rivet	45697
19	#10 x 1/2 SS HH SM Screw	38613
20	Turbo-Cool™ Splash Guard (White). PVC	53751
*Not exact size; shown for comparison purposes only		

### 46725 Center Panel Kit (to install in center of a system)



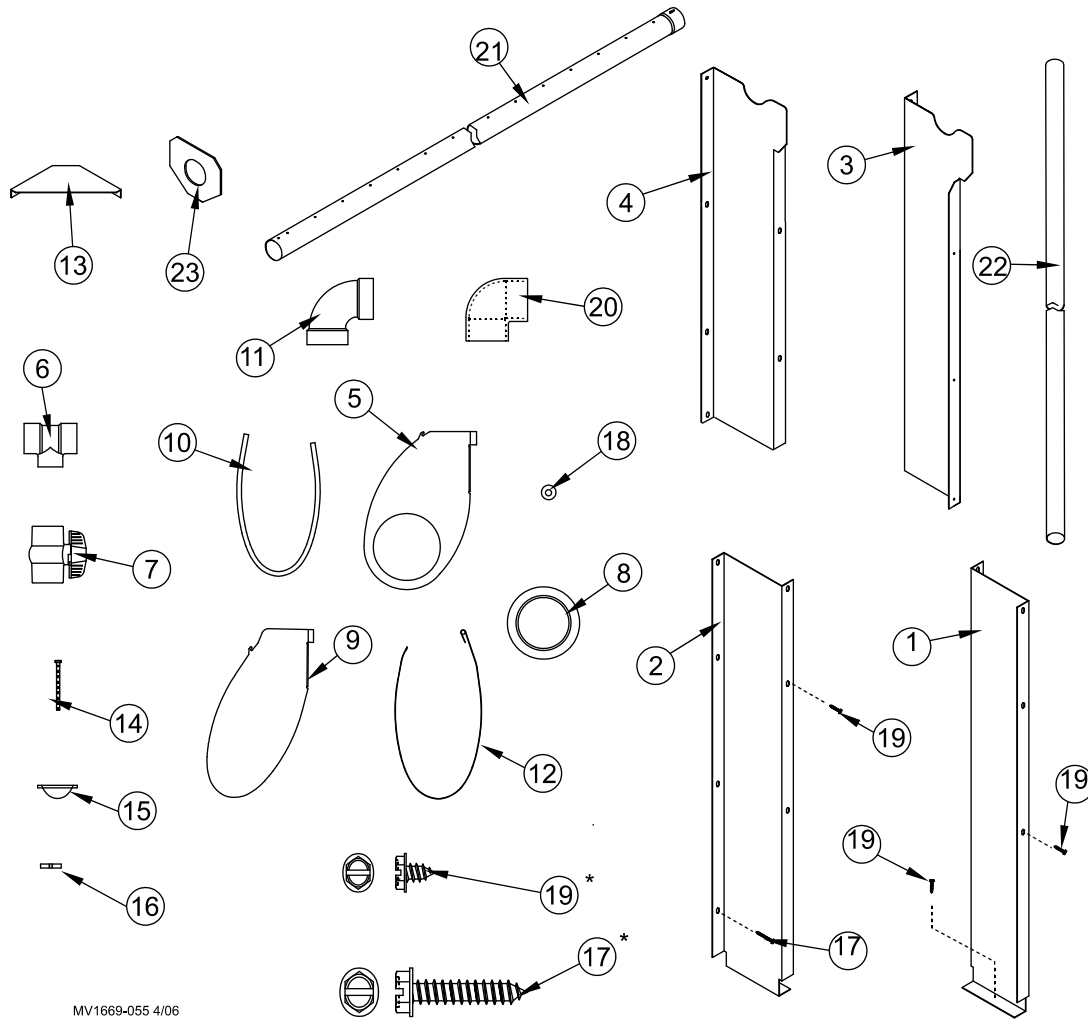
Mv1669-037 03/01

Item	Description	Part No.
1	RH Lower End Panel	46555-1
2	LH Lower End Panel	46555-2
3	RH Upper End Panel	46556-1
4	LH Upper End Panel	46556-2
5	Pipe Gasket	46585
6	2x2x1.5 PVC Tee	41427
7	1.5 PVC Ball Valve	44039
8	2" x 2' Foam Tape	41708-2
9	Trough Insert	46309
10	1/8 Round Rubber Trim	46310-1

Item	Description	Part No.
11	Sump Insert	46033
12	Clamp Strap	46100
13	End Panel Support	44391
14	5/16" x 4-1/2" Clamp Bolt	52607
15	Insert Washer	52609
16	5/16-18 x 1.5" Clamp Nut	52606
17	1/4 x 1-1/2 Lag Screw	41561
18	1 x .275 SS Washer	2955-52
19	#10-16 x .5 HH SS Screw	38613

\*Not exact size; shown for comparison purposes only

### 90° Around the Corner Kit (50464)



MV1669-055 4/06

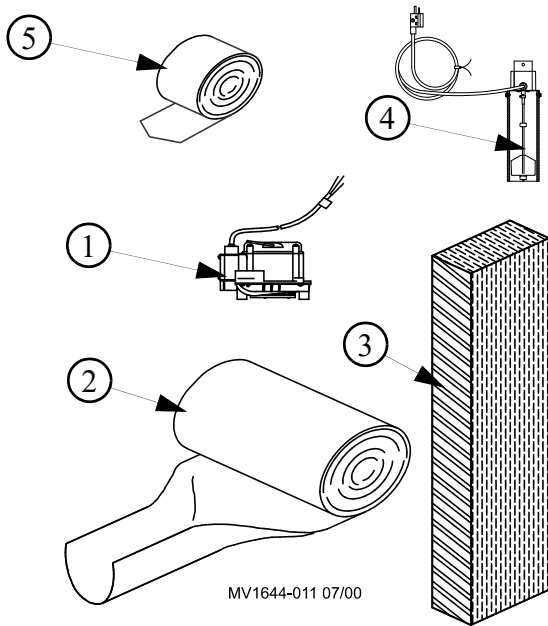
Item	Description	Part No.
1	RH Lower End Panel	46555-1
2	LH Lower End Panel	46555-2
3	RH Upper End Panel	46556-1
4	LH Upper End Panel	46556-2
5	Insert, Turbo-Cool w/5" Hole	46909
6	2x2x1.5 PVC Tee	41427
7	1.5 PVC Ball Valve	44039
8	4" Pipe to Tank Gasket	46061
9	Trough Insert	46309
10	1/8 Round Rubber Trim	46310-1
11	4" PVC 90° Elbow	46583

Item	Description	Part No.
12	Clamp Strap	46100
13	End Panel Support	44391
14	Bolt, 5/16-18 x 4-1/2	52607
15	Insert Washer	52609
16	Nut, 5/16-18 Special	52606
17	1/4 x 1-1/2 Lag Screw	41561
18	1 x .275 SS Washer	2955-52
19	#10-16 x .5 HH SS Screw	38613
20	2" PVC 90° Elbow	50465
21	2" x 40" PVC Pipe	50484
22	4" x 40" PVC Pipe (Trough Connector)	40472-4
23	Turbo-Cool Pipe Gasket	46585

\*Not exact size; shown for comparison purposes only



## Miscellaneous Components



Item	Description	Part No. **
1	Pump (see chart on page 5)	-----
2*	Trough 24" wide, (100 mil) 15" hole spacing	49184-XX
3**	Cooling Pads: Munters Celdek 45°/15° 6" x 12" x 4 foot 6" x 12" x 5 foot 6" x 12" x 6 foot	38624-4 38624-5 38624-6
3**	Cooling Pads: General Shelters 45°/15° 6" x 12" x 3 foot 6" x 12" x 4 foot 6" x 12" x 5 foot 6" x 12" x 6 foot	46389-3 46389-4 46389-5 46389-6
4	Water Level Safety Switch 230V 115V	46700 46700-1
5	100' [30.5 m] Roll Trough Repair Tape	46937

Part Numbers listed are for pads with coating on inlet side, shipped from Milford

\*Round up to the nearest 5' Trough lengths are available from 5' to 160' Example: 49184-100 is a 101' roll of Trough, 49184-50 is a 51' roll of trough.

\*\*Add a "D" to the *part number* (xxxxx-3D) for drop shipped pads

Add a "N" to the *part number* (xxxxx-3N) for pads without coating on the inlet side

Add a "B" to the *part number* (xxxxx-3B) for pads with coating on the inlet and bottom side of the pad



**Made to work.  
Built to last.®**

Note: The original, authoritative version of this manual is the English version produced by CTB, Inc. or any of its subsidiaries or divisions, (hereafter collectively referred to as "CTB"). Subsequent changes to any manual made by any third party have not been reviewed nor authenticated by CTB. Such changes may include, but are not limited to, translation into languages other than English, and additions to or deletions from the original content. CTB disclaims responsibility for any and all damages, injuries, warranty claims and/or any other claims associated with such changes, inasmuch as such changes result in content that is different from the authoritative CTB-published English version of the manual. For current product installation and operation information, please contact the customer service and/or technical service departments of the appropriate CTB subsidiary or division. Should you observe any questionable content in any manual, please notify CTB immediately in writing to: CTB Legal Department, P.O. Box 2000, Milford, IN 46542-2000 USA.

### Revisions to this Manual

Page No.	Description of Change	ECO
5	Added -5,-6 Sump Kit	
24	Added -5,-6 Sump Kit	
33	Added 46937 Trough Repair Tape	34645
29	Removed 7145 Nut. Not needed.	
29	Added Water Valve Retro-Fit Kit 56029	
32	Added 46585	

**For additional parts and information, contact your nearest Chore-Time distributor or representative.  
Find your nearest distributor at: [www.choretime.com/contacts](http://www.choretime.com/contacts)**

CTB, Inc.  
PO Box 2000  
Milford, Indiana 46542-2000 USA  
Phone (574) 658-4101 Fax (877) 730-8825  
Email: [choretime@choretime.com](mailto:choretime@choretime.com)  
Internet: [www.choretime.com](http://www.choretime.com)