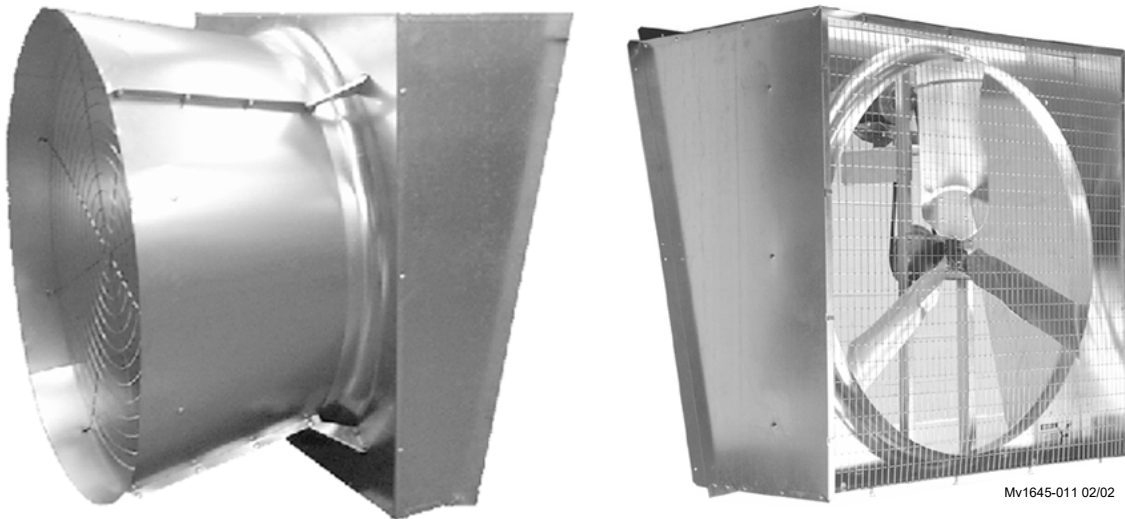


## **VANGUARD Series 36" Belt Drive Fans Installation & Operator's Instruction Manual**



Operating static pressure should be less than 0.15 inches water column [37 Pa].

The Fan Inlet and exhaust must be kept clear of obstructions. Failure to keep the Fan airflow path clear of obstructions could cause loss of Fan performance and Fan damage.

## Chore-Time Warranty

Chore Time Group, a division of CTB, Inc. (“Chore-Time”) warrants new Fans manufactured by Chore-Time to be free from defects in material or workmanship under normal usage and conditions, for One (1) year from the date of installation by the original purchaser (“Warranty”). If such a defect is determined by Chore-Time to exist within the applicable period, Chore-Time will, at its option, (a) repair the Product or Component Part free of charge, F.O.B. the factory of manufacture or (b) replace the Product or Component Part free of charge, F.O.B. the factory of manufacture. This Warranty is not transferable, and applies only to the original purchaser of the Product.

### CONDITIONS AND LIMITATIONS

THIS WARRANTY CONSTITUTES CHORE-TIME’S ENTIRE AND SOLE WARRANTY AND CHORE-TIME EXPRESSLY DISCLAIMS ANY AND ALL OTHER WARRANTIES, INCLUDING, BUT NOT LIMITED TO, EXPRESS AND IMPLIED WARRANTIES, INCLUDING, WITHOUT LIMITATION, WARRANTIES AS TO MERCHANTABILITY OR FITNESS FOR PARTICULAR PURPOSES. CHORE-TIME shall not be liable for any direct, indirect, incidental, consequential or special damages which any purchaser may suffer or claim to suffer as a result of any defect in the Product. Consequential or Special Damages as used herein include, but are not limited to, lost or damaged products or goods, costs of transportation, lost sales, lost orders, lost income, increased overhead, labor and incidental costs, and operational inefficiencies. *Some jurisdictions prohibit limitations on implied warranties and/or the exclusion or limitation of such damages, so these limitations and exclusions may not apply to you. This warranty gives the original purchaser specific legal rights. You may also have other rights based upon your specific jurisdiction.*

Compliance with federal, state and local rules which apply to the location, installation and use of the Product are the responsibility of the original purchaser, and CHORE-TIME shall not be liable for any damages which may result from non-compliance with such rules.

The following circumstances shall render this Warranty void:

- Modifications made to the Product not specifically delineated in the Product manual.
- Product not installed and/or operated in accordance with the instructions published by the CHORE-TIME.
- All components of the Product are not original equipment supplied by CHORE-TIME.
- Product was not purchased from and/or installed by a CHORE-TIME authorized distributor or certified representative.
- Product experienced malfunction or failure resulting from misuse, abuse, mismanagement, negligence, alteration, accident, or lack of proper maintenance, or from lightning strikes, electrical power surges or interruption of electricity.
- Product experienced corrosion, material deterioration and/or equipment malfunction caused by or consistent with the application of chemicals, minerals, sediments or other foreign elements.
- Product was used for any purpose other than for the care of poultry and livestock.
- 

The Warranty may only be modified in writing by an officer of CHORE-TIME. CHORE-TIME shall have no obligation or responsibility for any representations or warranties made by or on behalf of any distributor, dealer, agent or certified representative.

Effective: **April 2014**

# Contents

<b>Topic</b>	<b>Page</b>	<b>User</b>
<b>Chore-Time Warranty</b> .....	2	C,D
Distributor and Installer Information .....	4	
<b>About This Manual</b> .....	5	C,D,I
<b>Safety Information</b> .....	5	C,D,I
Safety–Alert Symbol .....	5	
Understanding Signal Words .....	5	
Follow Safety Instructions .....	6	
Decal Descriptions .....	6	
Decal Placement .....	6	
<b>Technical Information</b> .....	7	I
Tools Required .....	7	
<b>Fan Installation</b> .....	8	C,I
<b>Fan Dimensions</b> .....	9	C,D,I
<b>Fan Assembly</b> .....	10	C,I
<b>Cone Assembly</b> .....	11	C,I
Grill Installation .....	12	
Cone Installation .....	13	
<b>Belt Installation &amp; Alignment/ Spring Tension</b> .....	14	C,I
Removing Wire Ties .....	14	
Belt Installation/Alignment .....	14	
<b>Shutter Installation and Part Numbers</b> .....	15	C
<b>Motor Specifications</b> .....	16	C
<b>Maintenance</b> .....	17	C
Fan Bearing Lubrication .....	17	
<b>Itemized Parts</b> .....	18	C
<b>Part Numbers</b> .....	19	C

The Chore-Time 36" Vanguard Series fans are designed to be used as exhaust and/or circulation fans. The Fans are shipped assembled. Using this equipment for any other purpose or in a way not within the operating recommendations specified in this manual will void the warranty and may cause personal injury.

This manual is designed to provide comprehensive planning, installation, safety, operation, and parts listing information. The Table of Contents provides a convenient overview of the information in this manual. The Table of Contents also specifies which pages contain information for the sales personnel, installer, and consumer (end user).

### Distributor and Installer Information

Please fill in the following information about your Product.  
Keep this manual in a clean, dry place for future reference.

**Distributor's Name** \_\_\_\_\_

**Distributor's Address** \_\_\_\_\_

**Distributor's Phone** \_\_\_\_\_ **Date of Purchase** \_\_\_\_\_

**Installer's Name** \_\_\_\_\_

**Installer's Address** \_\_\_\_\_

**Installer's Phone** \_\_\_\_\_ **Date of Installation** \_\_\_\_\_

**System Specifications** \_\_\_\_\_

\_\_\_\_\_

## About This Manual

The intent of this manual is to help you in two ways. One is to follow step-by-step in the order of assembly of your product. The other way is for easy reference if you have questions in a particular area.

**Important ! Read ALL instructions carefully before starting construction.**

**Important ! Pay particular attention to all SAFETY information.**

- *Metric measurements are shown in millimeters and in brackets, unless otherwise specified. “ ” equals inches and “ ’ ” equals feet in English measurements.*

*Examples:*

*1" [25.4]*

*4' [1 219]*

- Optional equipment contains necessary instructions for assembly or operation.
- Major changes from the last printing will be listed on the back cover.
- This Planning Symbol is used in areas where planning needs to take place before construction continues.
- Very small numbers near an illustration (*i.e.*, 1257-48) are identification of the graphic, not a part number.



## Safety Information

**Caution, Warning and Danger Decals** have been placed on the equipment to warn of potentially dangerous situations. Care should be taken to keep this information intact and easy to read at all times. Replace missing or damaged safety decals immediately.

Using the equipment for purposes other than specified in this manual may cause personal injury and/or damage to the equipment.



### Safety–Alert Symbol

**This is a safety–alert symbol.** When you see this symbol on your equipment, be alert to the potential for personal injury. This equipment is designed to be installed and operated as safely as possible...however, hazards do exist.

### Understanding Signal Words

**Signal words** are used in conjunction with the safety–alert symbol to identify the severity of the warning.



**DANGER** indicates an imminently hazardous situation which, if not avoided, **WILL** result in death or serious injury.



**WARNING** indicates a potentially hazardous situation which, if not avoided, **COULD** result in death or serious injury.



**CAUTION** indicates a hazardous situation which, if not avoided, **MAY** result in minor or moderate injury.

## Follow Safety Instructions

Carefully read all safety messages in this manual and on your equipment safety signs. Follow recommended precautions and safe operating practices.

Keep safety signs in good condition. Replace missing or damaged safety signs.

## Decal Descriptions



Figure 1. Danger Decal Part Number 2527-50

## DANGER: Rotating Fan Blade (Part Number 2527-50)

- This Decal is placed on both sides of the shroud.
- Keep hands away.
- Disconnect power before servicing.
- The Fan may start automatically.
- **Do not operate the Fan without the screens in place.**

Disregard to the above mentioned **DANGER** will cause serious injury including death.

## Decal Placement

This diagram shows the proper location of the safety decal “**DANGER—ROTATING FAN BLADE**” as shipped from the factory.

- Keep all Safety Signs and decals in good condition.
- Replace damaged or missing decals.
- Make sure the decals may be seen at all times.

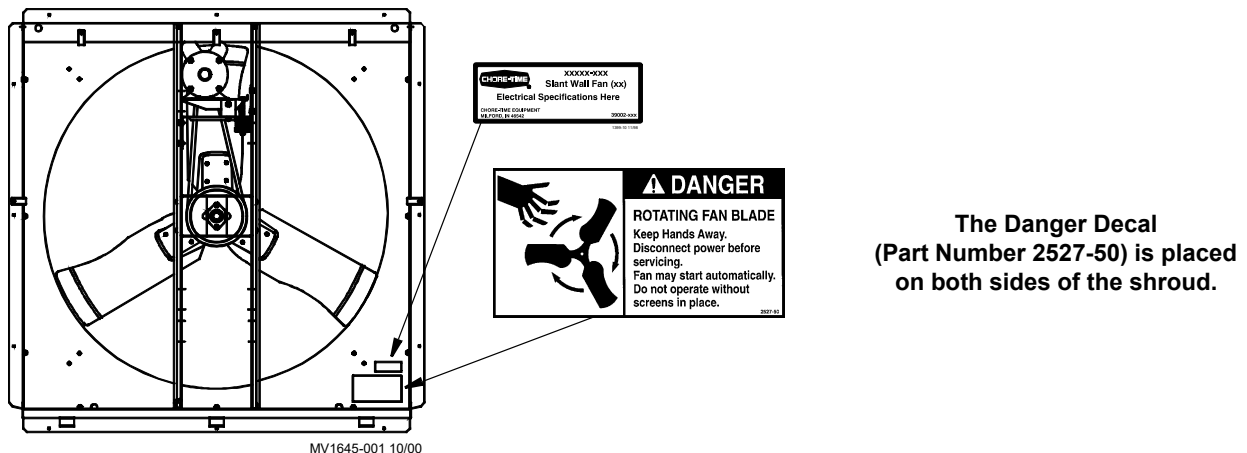


Figure 2. Decal Placement

## Technical Information

Motor choices and specifications are provided in the Parts List section of this manual. See **Page 16** Fan Motor specifications.

**Important!** **Chore-Time Equipment strongly recommends that a good alarm system should be installed in confinement buildings to warn of power failure and high temperature.**

**Chore-Time Equipment also recommends that an alternate power source be available for confinement buildings in case of power failure.**

**Wiring: See wiring diagram on Motor for Motor Electrical Specifications. Chore-Time Equipment recommends that you follow local, state and national electric codes for wiring.**

### Tools Required

- Regular Screwdriver
- Hammer
- 1/2" Open End Wrench or Socket Wrench with 1/2" Socket
- Wire Cutters & Strippers
- Adequate Size & Quantity of Electrical Wire
- 5/16" Hex Key Wrench
- 5/16" Open End Wrench or a 12 Point 3/8" Socket and Ratchet

# Fan Installation

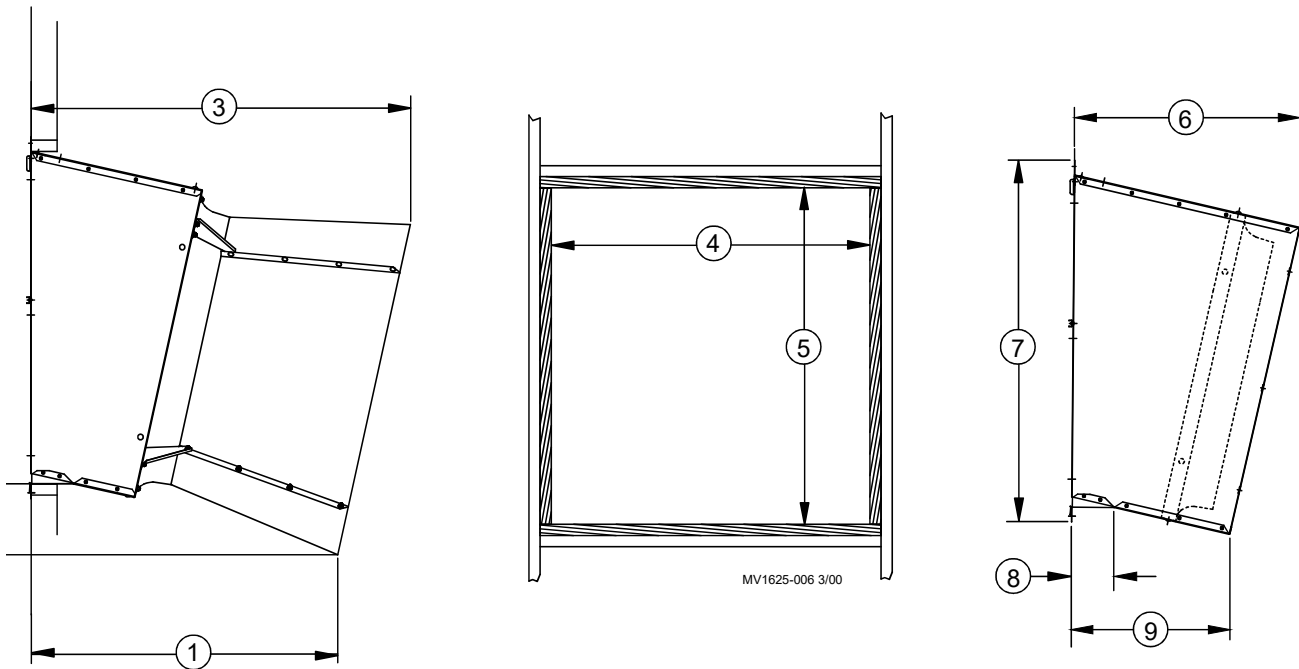
**Important!** The 36" Cone and Slant Wall Fan must be installed in a wall. The Box and Panel Fan may be installed in a wall or suspended from the ceiling. (No Hardware supplied to complete these tasks)

Build Fan framing out of 2" [50 mm] lumber (not supplied). The required rough opening is provided in the table below. Allow a minimum 4" spacing between framed openings for adjacent Cone Fan. Allowing a 4" spacing will provide clearance for the mounting flange. The Slant Wall and Box Fans can be mounted closer together, but do not overlap flanges.

Insert the Fan Assembly in the framed opening in the wall.

Center the Fan Assembly in the framed opening, left to right. Allow the Fan Housing to set on the bottom of the framed opening.

Secure the Fan Assembly to the framed opening, using the included 1/4" x 1-3/4" Lag Screws starting with the center holes in each panel. The end holes will also be used for attaching the Corner Flange Angles.



Item	Description	S/W & Cone Dimension	Box Fan Dimension
1	Bottom Length	41-3/8"	Not Applicable
2	Vertical Dim. of Cone	9-1/2"	Not Applicable
3	Top Depth	51-1/8"	Not Applicable
4	Rough Opening Width	43"	42-1/4"
5	Rough Opening Height	45"	42-1/4"
6	Top Depth	30-7/16"	21"
7	Height	48-3/8"	Not Applicable
8	Slant Dim.	5-3/4"	Not Applicable
9	Bottom Depth	21-5/16"	21"

Figure 3. Fan Framing Dimensions

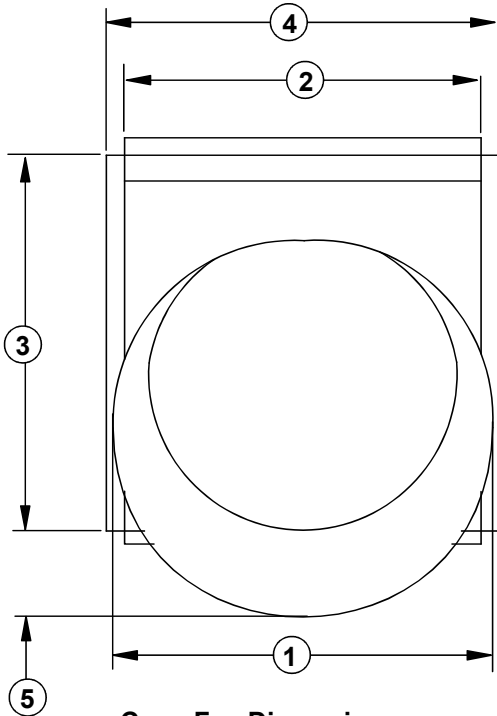


# Fan Dimensions

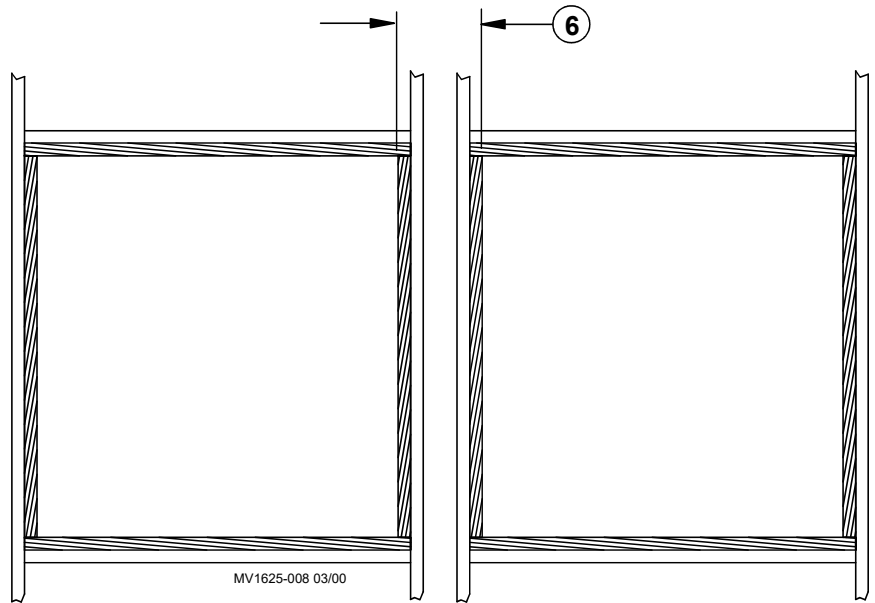


Planning the layout of the spacing between Cone Fans is very important. **SPACING TOO CLOSE TOGETHER WILL CAUSE DISTORTION** due to interference with the cones; thus, not allowing the fan to deliver optimum performance.

**Allow a minimum 4" spacing between framed openings for adjacent Cone Fans.**



**Cone Fan Dimensions**  
(item 5, is for Cone Fans Only)



**Spacing between framed openings 4"**

Table 2. Fan Dimensions						
	1	2	3	4	5	6
<b>36" BD Fans</b>	45" [114.3 cm]	42.5" [107.95 cm]	44.375" [112.7 cm]	46" [116.84 cm]	10.156" [25.8 cm]	4" Min. Spacing [10.16 cm] <b>Critical for Cone Fans</b>

**Figure 4. Slant Wall/Cone Fan spacing between framed openings.**

# Fan Assembly

Assemble the Corner Flange Angles in each corner of the Fan, by sliding the Corner Flange Angle under all edges of Flange Corners, secure with lag screws. The Slant Wall and Cone Fans are mounted the same way, as shown.

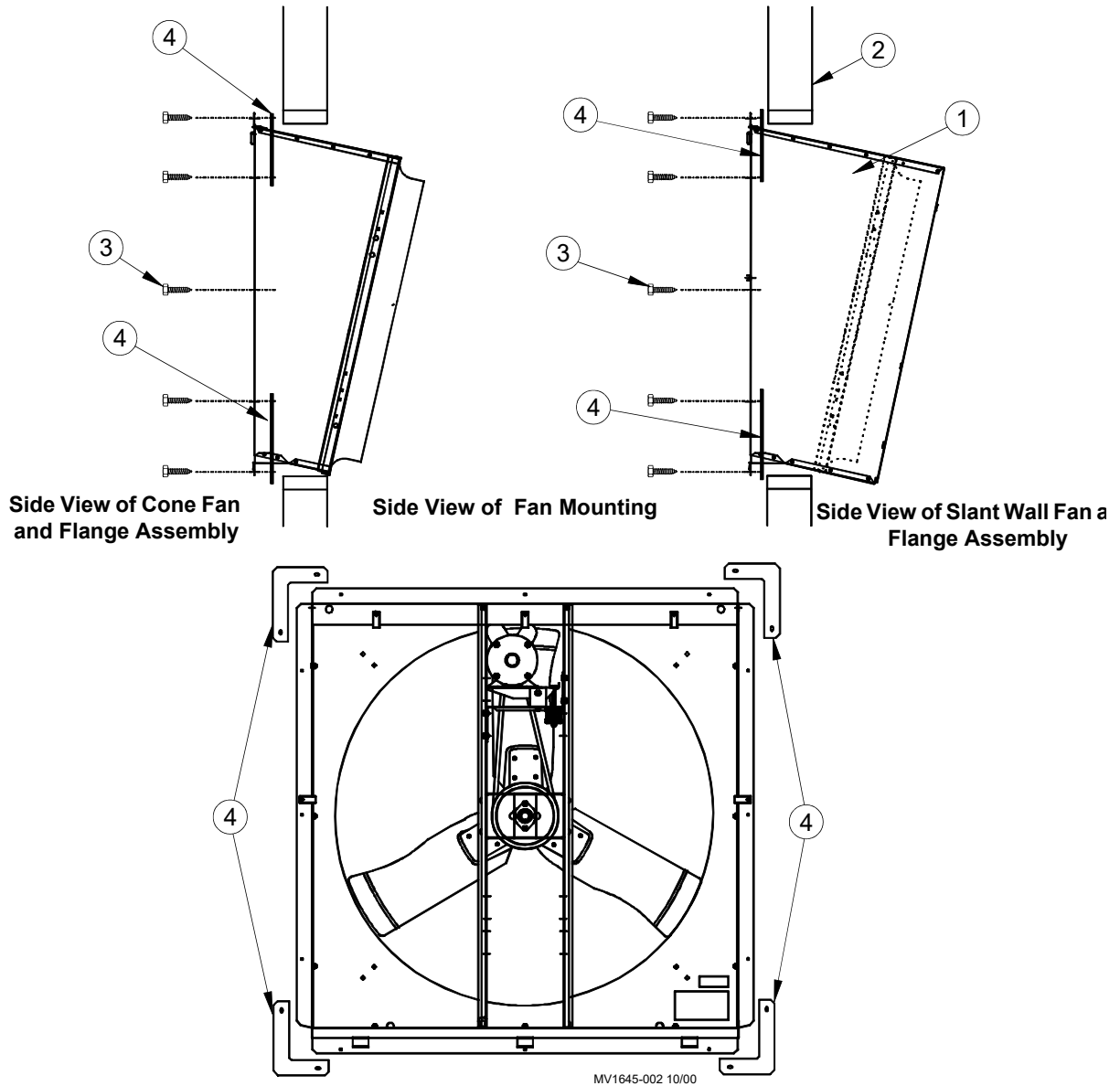


Figure 5. Corner Flange Angle Assembly

The Flange Angles are to be placed between the building and the Fan Flange

Item	Description
1	Fan Assembly
2	Side Wall of Building
3	1/4"x1-3/4" Lag Screw
4	Corner Flange Angles

# Cone Assembly

The Cone must be assembled and installed in the field.

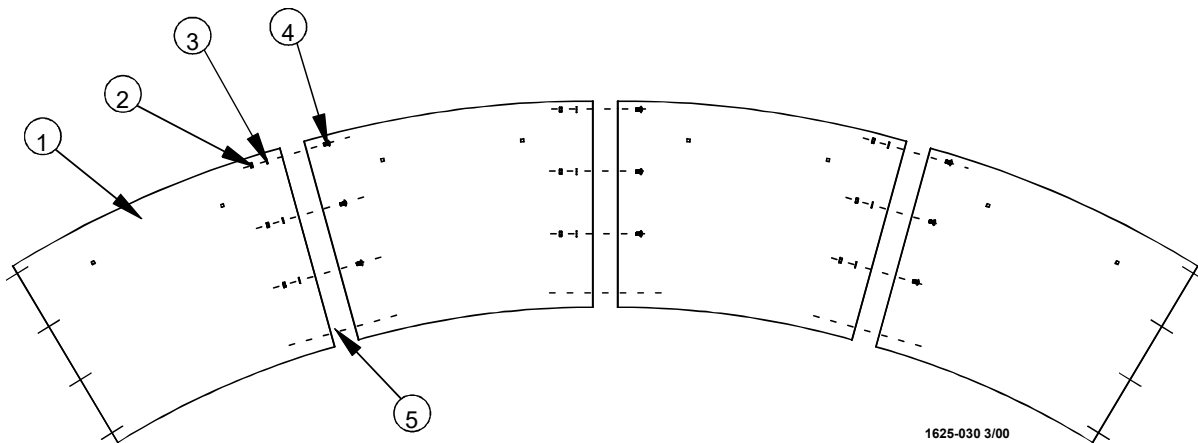
**Important! The Fan must be installed in the wall before installing the Cone to the Fan.**

Lay the Cone Panels, with the flanges up, on a flat surface, as shown in **Figure 6**.

**Important! Do not fully tighten the hardware.**

**Loosely**, fasten the Side Panels together with (3) 5/16-18 x 5/8" carriage bolts, (3) 3/8" lock washers, and (3) 5/16"-18 hex nuts per joint. Only install hardware at the locations shown in **Figure 6**.

Set the Cone Side Panels up and align the ends to create the cone shaped housing. **Loosely**, secure the ends similar to the other joints.



Cone Assembly		
Item	Description	Part Numbers
1	Cone Panel	37804
2	5/16-18" Hex Nut	2145
3	3/8" Lock Washer	5747
4	5/16-18 x 5/8" Carriage Bolt	8282
5	Do not install Hardware here.	

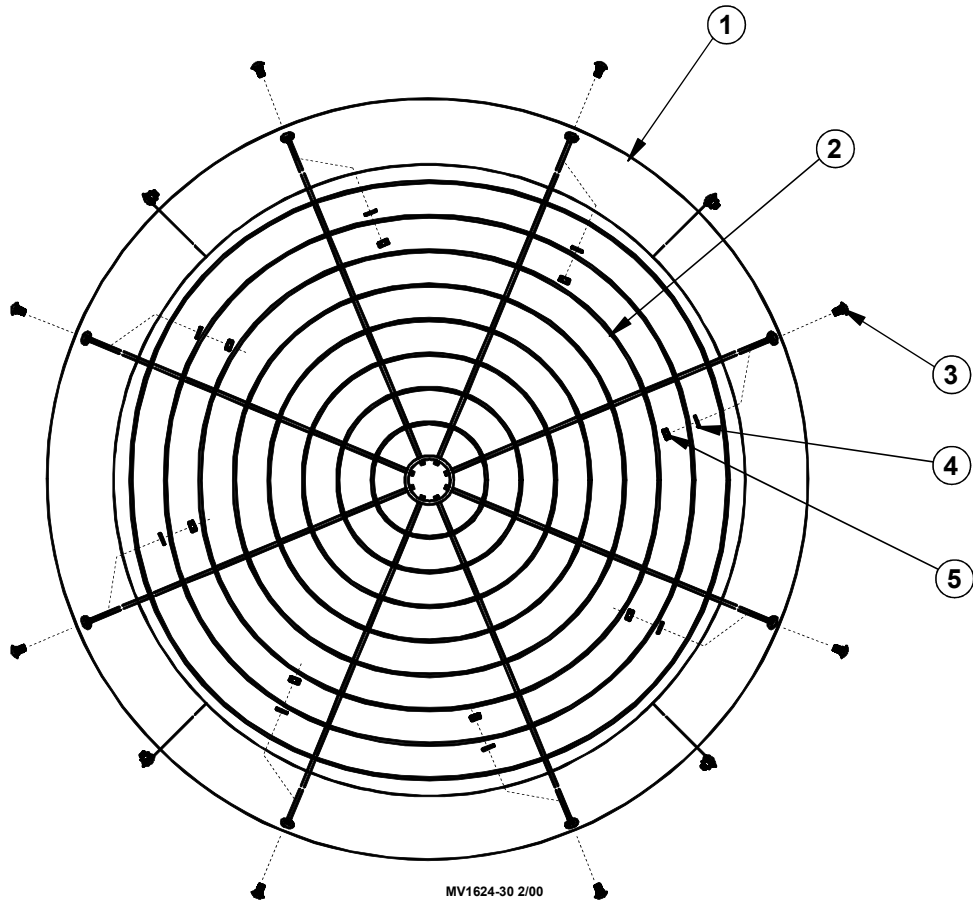
**Figure 6. Cone Assembly (Top View)**

### Grill Installation

**Notice:** Position the Grill in the larger end of the Cone Assembly.

Secure the Grill in place using the 5/16"-18 carriage bolts, 3/8" lock washers, and 5/16"-18 hex nuts. See Figure 7.

This will help maintain the shape of the Cone Assembly while it is being secured to the Fan Shroud.



Grill Installation		
Item	Description	Part Numbers
1	36" Fan Cone Panel	37804
2	Grill	37629
3	5/16-18" Hex Nut	2145
4	3/8" Lock Washer	5747
5	5/16-18 x 5/8" Carriage Bolt	8282

**Figure 7. Grill Installation Diagram**

### Cone Installation

**Note:** The flanges should be on the outside of the Cone. Secure each Cone Hanger Bracket to the Fan Shroud, using 5/16"-18 carriage bolts, 3/8" lock washers, and 5/16"-18 hex nuts. See **Figure 8**.

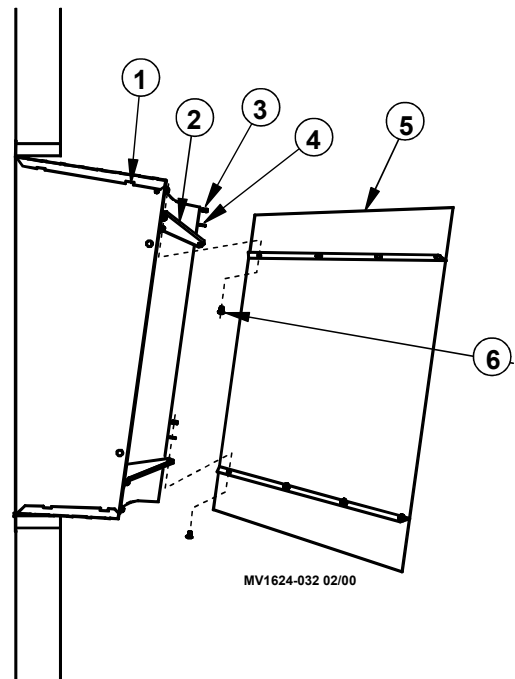
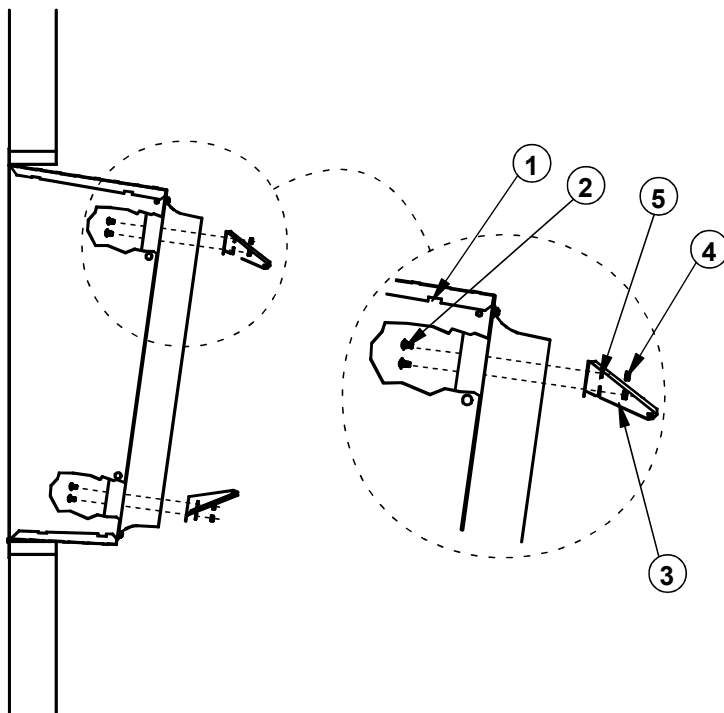


**With the help of an assistant, lift the Cone Assembly to the Fan Shroud.**

Slide the smaller end of the Cone Assembly over the Fan Shroud. Rotate the Cone Assembly to align the Panel Joints with the Cone Hanger Brackets.

Secure the Cone Assembly to the Cone Hanger Brackets using (1) 5/16"-18 carriage bolt, 3/8" lock washer, and 5/16"-18 hex nut. See **Figure 8 and 9**.

Tighten all the hardware after the cone assembly is secure and in place.



Hanger Bracket Installation		
Item	Description	Part Number
1	Fan Assembly	46130-36XX
2	5/16-18 x 5/8" Carriage Bolt	8282
3	Cone Hanger Bracket	37806
4	5/16-18" Hex Nut	2145
5	3/8" Lock Washer	5747

**Figure 8. Hanger Bracket Installation (Side View)**

Cone Assembly		
Item	Description	Part Number
1	Fan Assembly	46130-36XX
2	Cone Hanger Bracket	37806
3	5/16-18" Hex Nut	2145
4	3/8" Lock Washer	5747
5	36" Fan Cone Kit	37935
6	5/16-18 x 5/8" Carriage Bolt	8282

**Figure 9. Cone Installation (Side View).**

# Belt Installation & Alignment/ Spring Tension

## Removing Wire Ties

1.Remove the Wire Ties holding the Motor and Driven Sheave in place. (See Figure 10).

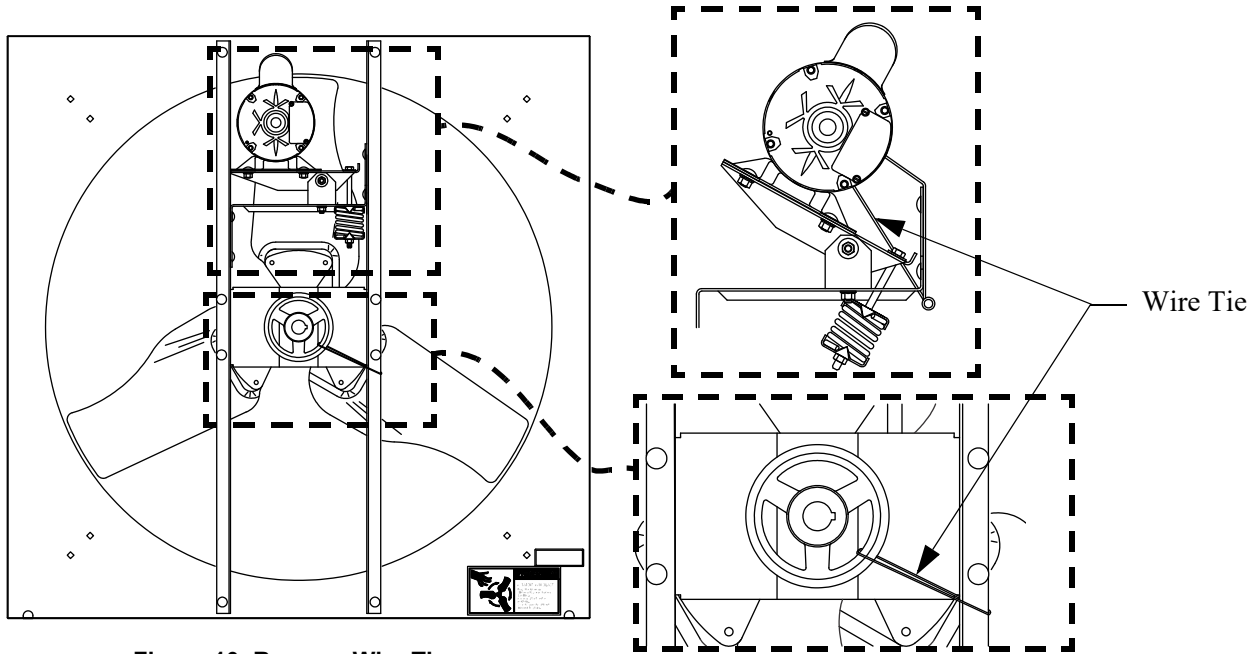


Figure 10. Remove Wire Ties

## Belt Installation/Alignment

See Figure below for Belt Alignment. Adjust the tension to insure the best installation and Fan life.

- 1.Install the Belt as shown.
- 2.Belt must be vertical to obtain maximum belt life.
- 3.Measure from the Post to the belt as shown to make sure that there is equal distance. Lay a straight edge across the posts to get the measurement if necessary. (See Figure 11)
- 4.Tighten the 5-16-18 x 5.5" Bolt (Item 1, Figure 11) until the measurement from the end of the Bolt to the Bottom Spring Cap (Item 3) is .63" [16 mm] as shown in Figure 11.

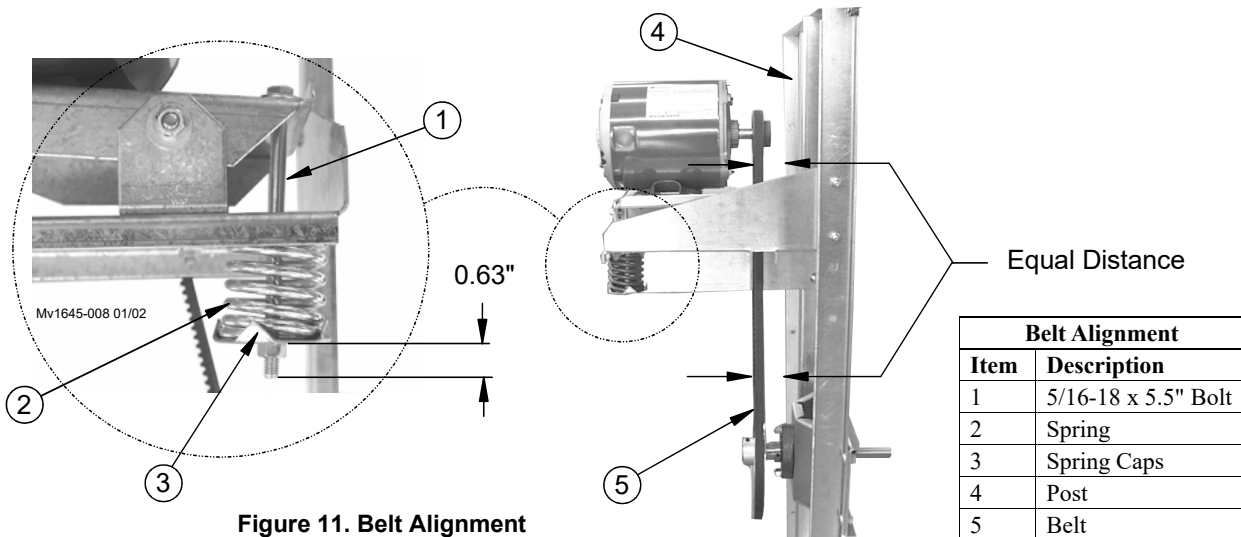


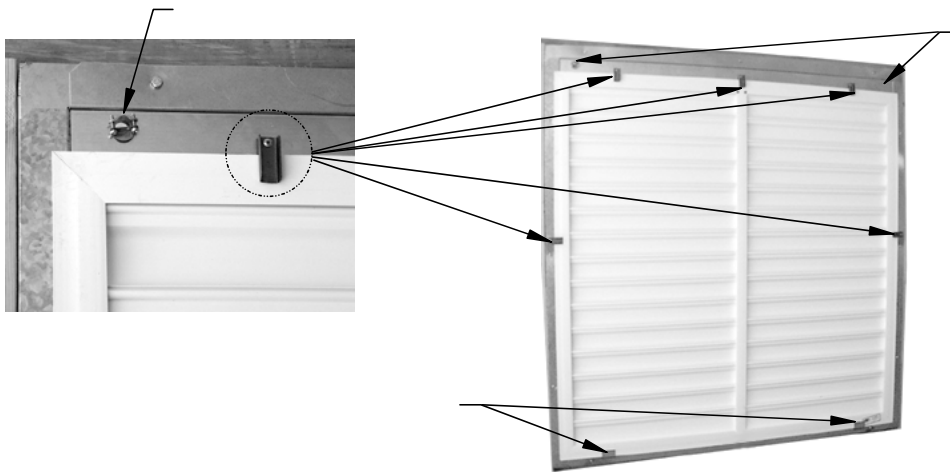
Figure 11. Belt Alignment

# Shutter Installation and Part Numbers

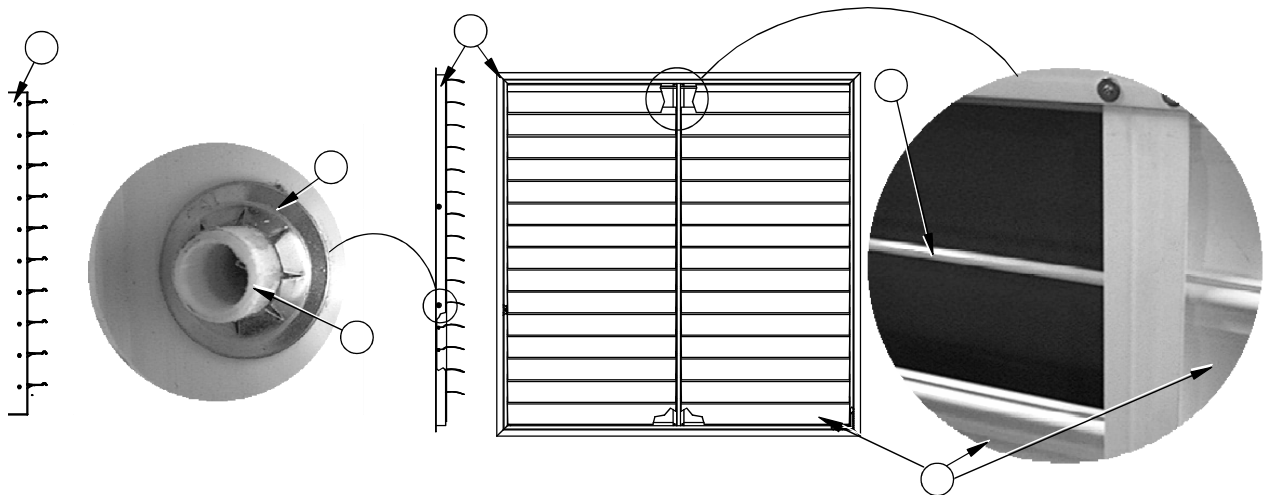
**Plastic and Aluminum Shutters are available.**

The Bottom Panel is designed with 2 tabs to hold either Shutter. **Shown in Figure 12.** Slide the bottom of the Shutter into position in the Bottom Panel Slots, lean the Shutter back and lock it in place by rotating the Shutter Clips. Check the Shutter for proper operation—the shutter must be able to open and close freely without obstructions.

**Note:** For both the Aluminum or Plastic Shutter, route the motor cord through the Knock-outs.



**Figure 12. Shutter Placement Assembly**



Item	Description	Part No.
1	Shutter Aluminum (complete)	38259
2	Plastic Shutter (complete)	38027
	Gray Plastic Shutter (complete)	46972
	Gray Shutter Louver	46715-2
3	Push Nut 1/4"	38032
4	Shutter Rod Pivot	38702-2
5	Shutter Louver	38038-2

**Figure 13. Plastic Shutter Parts**

# Motor Specifications

Table 3. Motor Specifications and Part Numbers								
Fan Specifications (assembled)	Motor Specifications							
Description	*Part No.	Voltage	HZ	Phase	HP	Motor Part No.	Motor Sheave Part No,	Fan Sheave Part No,
36" Panel Belt Drive Fan	46128-3620	115/230	60	1	.5	40158	4906	42338
36" Panel Belt Drive Fan	46128-3640	200-230 400-460	60	3	.5	38566	4906	42338
36" Panel Belt Drive Fan	46128-3650	200-240 380-415	50	3	.5	38566	8773	42338
36" Deep Box Belt Drive Fan	46293-3620	115/230	60	1	.5	40158	4906	42338
36" Slant Wall Belt Drive Fan	46129-362X	115/230	60	1	0.5	40158	4906	42338
36" Slant Wall Belt Drive Fan	46129-364X	200-230 400-460	60	3	.5	38566	4906	42338
36" Slant Wall Belt Drive Fan	46129-365X	200-240 380-415	50	3	.5	38566	8773	42338
36" Cone Belt Drive Fan	46130-362X	115/230	60	1	0.5	40158	4906	42338
36" Cone Belt Drive Fan	46130-364X	200-230 400-460	60	3	0.5	38566	4906	42338

\* Replace the "X" in fan P/N with "1" for an aluminum Shutter, "2" for a plastic shutter, and "4" for a gray plastic Shutter



## Maintenance



### Danger!

**Disconnect Power Prior To Maintaining Or Cleaning The Fan. The fan may start automatically causing serious injury or death.**

- Service and repair of fans should be done only by a qualified technician.
- Minimize contact of moisture or corrosive chemicals to the surfaces of the fan components to maximize fan life.
- After washing fans, operate fans long enough to remove moisture from all fan surfaces.
- Keep the fan clean for maximum life and best performance. **Avoid spraying water on motor**
- Keep Shutters, Blades, and Housing clear of obstacles for best air performance. The motor bearings are prelubricated.

### Fan Bearing Lubrication

- Grease zerks are provided for lubrication on the fan shaft bearings.
- Lubricate the fan every 2-6 months or whenever these components get wet.
- Disconnect power to the fan before lubricating.
- Clean the zerk before lubricating to prevent contamination from entering the bearing.
- Use a high quality lithium based, NLGI #2, grease such as Shell Gadus S2 V100 2. Do not use incompatible greases containing aluminum, barium, calcium, bentonite clay or polyurea thickeners.
- Slowly rotate the fan shaft by hand while slowly applying the grease. Rapidly applying grease to a stationary bearing can damage the bearing seals.
- Apply about .10 oz (2.8 g, 3.1 cc) of grease at a time or until a slight amount of grease can be seen purging from the seal.

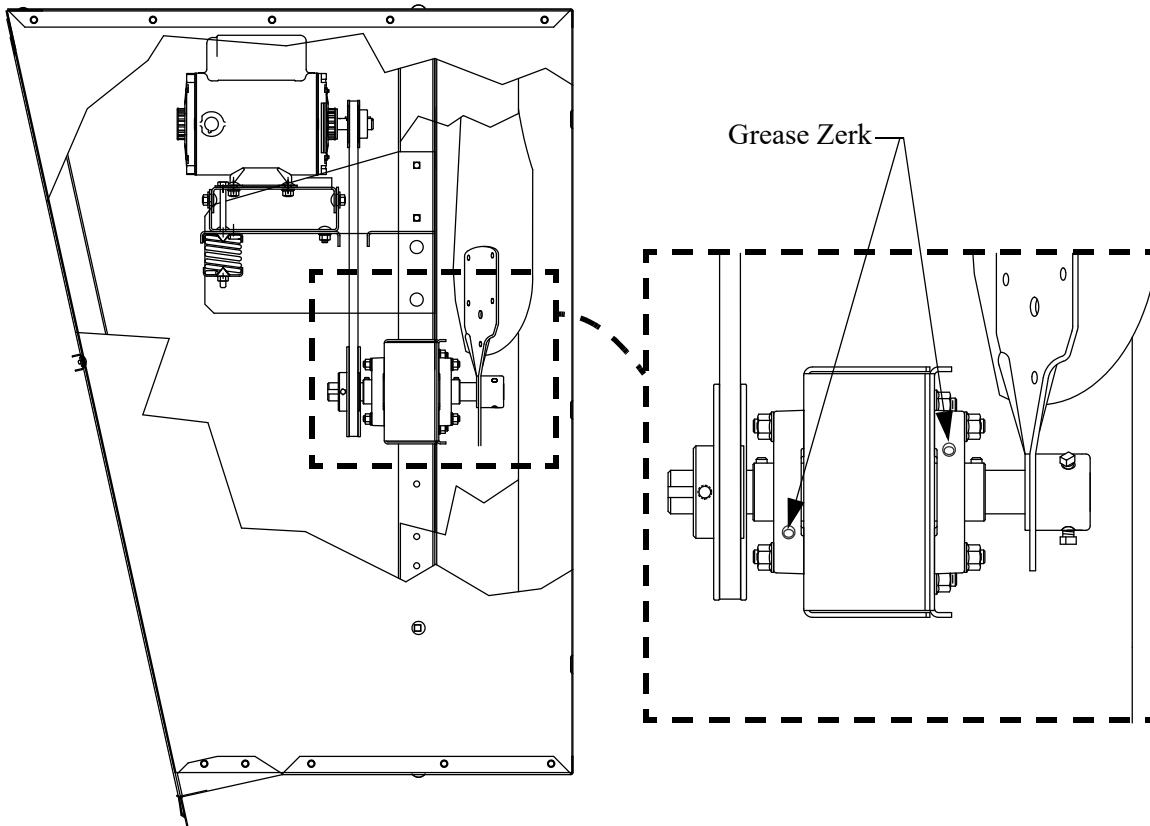
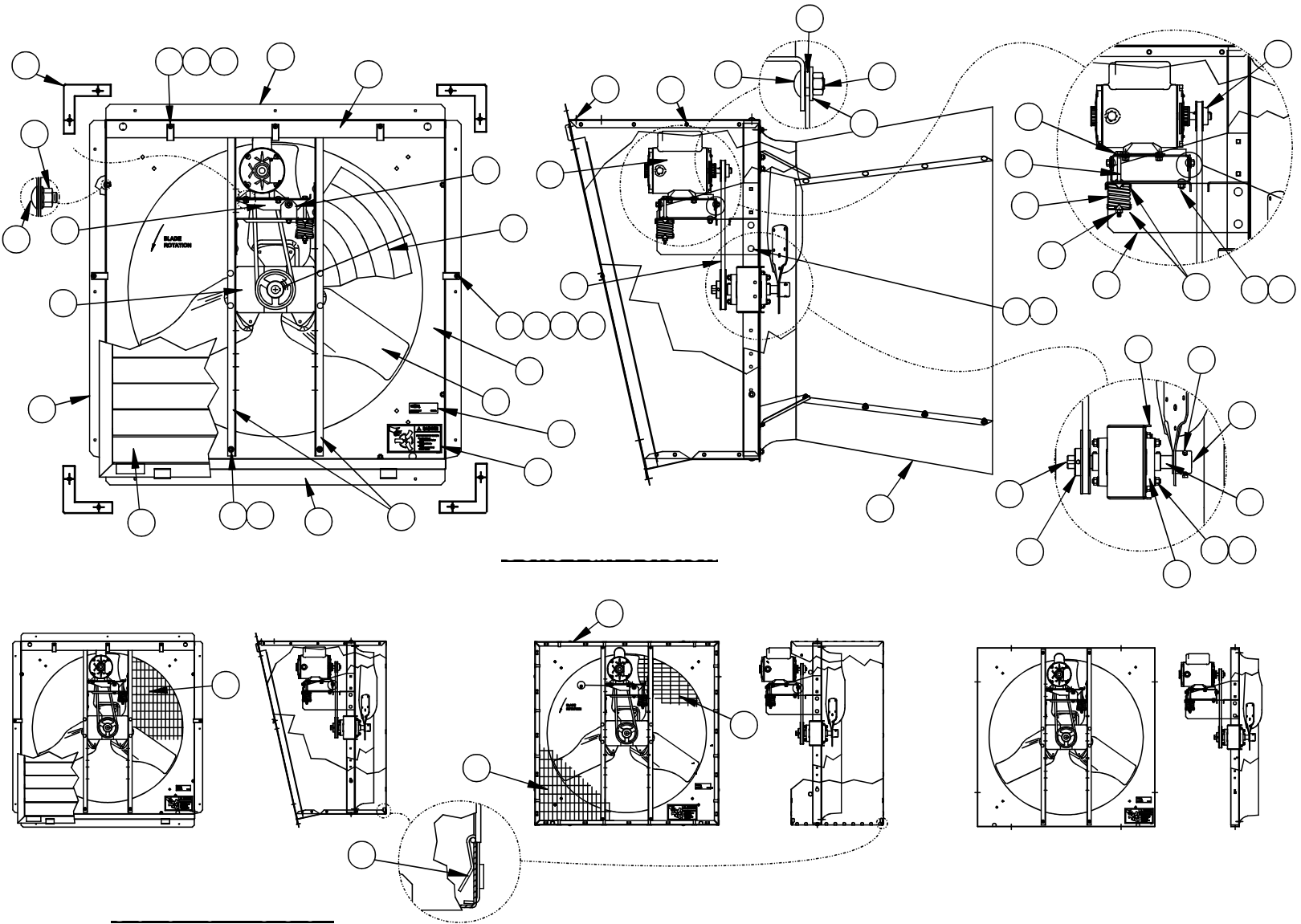


Figure 14. Grease Zerk locations



# Itemized Parts

# Part Numbers

Description	Cone Fan Version			Slant Wall Version		Deep Box Fan Version		Panel Fan Version	
	Item	Qty.	Part No.	Qty.	Part No.	Qty.	Part No.	Qty.	Part No.
Motor	1*	1	Varies	1	Varies	1	40158	1	Varies
5/16-18 x .625 Carriage Bolt	2	28	8282	28	8282	28	8282	20	8282
5/16-18 Hex Lock Nut	3	3	2148	3	2148	3	2148	3	2148
36" Top Panel	4	1	44739	1	44737	4	37556		
36" Bottom Panel	5	1	44738	1	44736				
36" Side (RH) Panel	6	1	44735-2	1	44734-2				
36" Side (LH) Panel	7	1	44735-1	1	44734-1				
36" Fan Shroud	8	1	5538	1	5538	1	5538	1	5538
36" Fan Shutter Mounting Brace	9	1	44740	1	44740				
36" x 12.5° Fan Post	10	2	46127	2	46127	2	46127	2	46127
Motor Mount Pivot Plate	11	1	43713	1	43713	1	43713	1	43713
Pivot Plate Mounting Bracket	12	1	46444	1	46444	1	46444	1	46444
Z-Motor Mounting Bracket	13	1	46445	1	46445	1	46445	1	46445
ST BD Module Bushing	14	2	38896	2	38896	2	38896	2	38896
Spring	15	1	43715	1	43715	1	43715	1	43715
36" Fan Blade	16	1	56178	1	56178	1	56178	1	56178
5-16-18 x 3/8 Set Screw	17	1	1174	1	1174	1	1174	1	1174
1/4 x 1 x 1/8 Square Key	18	2	2419-2	2	2419-2	2	2419-2	2	2419-2
Shaft	19	1	43691	1	43691	1	43691	1	43691
Rear Bearing Mount Plate	20	1	43690	1	43690	1	43690	1	43690
Front Bearing Mount Plate	21	1	43689	1	43689	1	43689	1	43689
1" Bore Cast Flange Bearing	22	2	43654	2	43654	2	43654	2	43654
5/16-18 Hex Serrated Flange Nut	23	30	8490	30	8490	30	8490	22	8490
AK51 x 1" Bore (4.95") Sheave	24	1	42338	1	42338	1	42338	1	42338
Corner Flange Angle	25	4	44284	4	44284				
5/16-18 x 1.25 Carriage Bolt	26	4	34885-2	4	34885-2	4	34885-2	4	34885-2
.375 x .875 x .078 Flat Washer	27	3	546	3	546	3	546	3	546
Danger Decal	28	2	2527-50	2	2527-50	2	2527-50	2	2527-50
36" S/W Cone Fan Decal	29	1	Varies	1	Varies	1	39002-164	1	Varies
EZ Fan Screen Clip	30			12	38891	32	38891		
Spring Coil Cap	31	2	44002	2	44002	2	44002	2	44002
#10-16 x .50 Hx WH Screw	32	16	3037	20	3037				
Wire Screen	33			1	29046	1	29046		
36 BD Fan Inlet Screen	34					1	46292		
5/16-18 x 5.5" Bolt	35	1	4412-24	1	4412-24	1	4412-24	1	4412-24
SS Shutter Clip	36	5	36729	5	36729				
Nylon Washer	37	5	4856	5	4856				
3/16" x 3/8" Pop Rivet	38	9	2569	9	2569				
.227 x .515 x .065 Flat Washer	39	2	2955-19	2	2955-19				
Cast Iron Sheave	40	1	4906	1	Varies	1	4906	1	Varies
AX39 V Belt	41	1	46285	1	46285	1	46285	1	46285
36" Cone Grill	42	1	37629						
36" EZ Cone Cone Panel	43	1	37804						
36" Shutter	44**	1	Varies	1	Varies				
36" Box Fan Panel	45					4	37556		
Pkg, Hdwr Installation	--	1	46287	1	46287				
36" EZ Fan Cone Kit	--	1	37936						

\* See Motor Specifications Chart on Page 16

\*\* See Shutter Detail on Page 14



**Made to work.  
Built to last.**

Note: The original, authoritative version of this manual is the [English] version produced by CTB, Inc. or any of its subsidiaries or divisions, (hereafter collectively referred to as "CTB"). Subsequent changes to any manual made by any third party have not been reviewed nor authenticated by CTB. Such changes may include, but are not limited to, translation into languages other than [English], and additions to or deletions from the original content. CTB disclaims responsibility for any and all damages, injuries, warranty claims and/or any other claims associated with such changes, inasmuch as such changes result in content that is different from the authoritative CTB-published [English] version of the manual. For current product installation and operation information, please contact the customer service and/or technical service departments of the appropriate CTB subsidiary or division. Should you observe any questionable content in any manual, please notify CTB immediately in writing to: CTB Legal Department, P.O. Box 2000, Milford, IN 46542-2000 USA.

**Revisions to this Manual**

<b>Page No.</b>	<b>Description of Change</b>	<b>ECO</b>
1	Added Static Pressure and Obstruction info	31162

**For additional parts and information, contact your nearest Chore-Time distributor or representative.  
Find your nearest distributor at: [www.choretime.com/contacts](http://www.choretime.com/contacts)**

CTB, Inc.  
PO Box 2000  
Milford, Indiana 46542-2000 USA  
Phone (574) 658-4101 Fax (877) 730-8825  
Email: [choretime@choretime.com](mailto:choretime@choretime.com)  
Internet: [www.choretime.com](http://www.choretime.com)