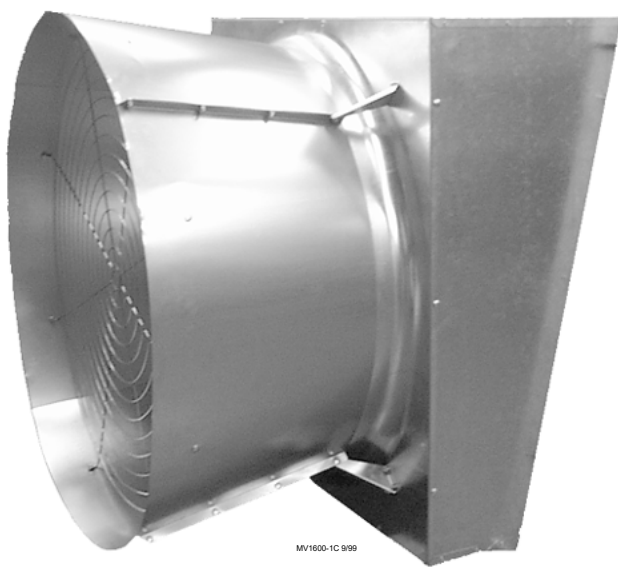


VANGUARD Series 36" Slant Wall and Cone Direct Drive Fans Installation & Operator's Instruction Manual



Operating static pressure should be less than 0.15 inches water column [37 Pa].

The Fan Inlet and exhaust must be kept clear of obstructions. Failure to keep the Fan airflow path clear of obstructions could cause loss of Fan performance and Fan damage.

Chore-Time Warranty

Chore-Time Equipment ("Chore-Time") warrants each new Chore-Time product manufactured by it to be free from defects in material or workmanship for one year from and after the date of initial installation by or for the original purchaser. If such a defect is found by the Manufacturer to exist within the one-year period, the Manufacturer will, at its option, (a) repair or replace such product free of charge, F.O.B. the factory of manufacture, or (b) refund to the original purchaser the original purchase price, in lieu of such repair or replacement. Labor costs associated with the replacement or repair of the product are not covered by the Manufacturer.

Conditions and Limitations

1. The product must be installed by and operated in accordance with the instructions published by the **Manufacturer or Warranty will be void.**
2. Warranty is void if **all components** of the system are not original equipment supplied by the **Manufacturer.**
3. This product must be purchased from and installed by an authorized distributor or certified representative thereof or the Warranty will be void.
4. "Malfunctions or failure resulting from misuse, abuse, mismanagement, negligence, alteration, accident, or lack of proper maintenance, or from lightning strikes, electrical power surges or interruption of electricity shall not be considered defects under the Warranty. Corrosion, material deterioration and/or equipment malfunction caused by or consistent with excessive additions or application of chemicals, minerals, sediments or other foreign elements with the product shall not be considered defects under the Warranty."
5. This Warranty applies only to systems for the care of poultry and livestock. Other applications in industry or commerce are not covered by this Warranty.

The **Manufacturer** shall not be liable for any **Consequential or Special Damage** which any purchaser may suffer or claim to suffer as a result of any defect in the product. "**Consequential**" or "**Special Damages**" as used herein include, but are not limited to, lost or damaged products or goods, costs of transportation, lost sales, lost orders, lost income, increased overhead, labor and incidental costs and operational inefficiencies.

THIS WARRANTY CONSTITUTES THE MANUFACTURER'S ENTIRE AND SOLE WARRANTY AND THIS MANUFACTURERE EXPRESSLY DISCLAIMS ANY AND ALL OTHER WARRANTIES, INCLUDING, BUT NOT LIMITED TO, EXPRESS AND IMPLIED WARRANTIES AS TO MERCHANTABILITY, FITNESS FOR PARTICULAR PURPOSES SOLD AND DESCRIPTION OR QUALITY OF THE PRODUCT FURNISHED HEREUNDER.

Chore-Time Distributors are not authorized to modify or extend the terms and conditions of this Warranty in any manner or to offer or grant any other warranties for Chore-Time products in addition to those terms expressly stated above. An officer of CTB, Inc. must authorize any exceptions to this Warranty in writing. The Manufacturer reserves the right to change models and specifications at any time without notice or obligation to improve previous models.

Effective: **November 2021**

Chore-Time Equipment
A Division of CTB, Inc.
P.O. Box 2000 • Milford, Indiana 46542-2000 • U.S.A.
Phone (574) 658-4101 • Fax (877) 730-8825
Email: ctb@ctbinc.com • Internet: <http://www.ctbinc.com>

Contents

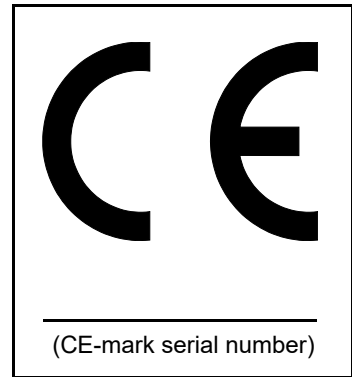
Topic	Page	User
Chore-Time Warranty	2	C,D
Distributor and Installer Information	4	
About This Manual	5	C,D,I
Safety Information	5	C,D,I
Safety–Alert Symbol	5	
Understanding Signal Words	5	
Follow Safety Instructions	6	
Decal Descriptions	6	
Decal Placement	6	
Technical Information	7	I
Tools Required	7	
Fan Installation	8	C,I
Fan Dimensions	9	C,D,I
Fan Assembly	10	C,I
Cone Assembly	11	C,I
Grill Installation	12	
Shutter Installation and Part Numbers	14	C,I
Maintenance	15	C
Motor Specifications	16	C
Parts Listing	17	C
Itemized Parts	18	C

The Chore-Time 36" Vanguard Series Cone and Slant Wall Fans are designed to be used as exhaust fans. The Fans are shipped assembled. Using this equipment for any other purpose or in a way not within the operating recommendations specified in this manual will void the warranty and may cause personal injury.

This manual is designed to provide comprehensive planning, installation, safety, operation, and parts listing information. The Table of Contents provides a convenient overview of the information in this manual. The Table of Contents also specifies which pages contain information for the sales personnel, installer, and consumer (end user).

IMPORTANT: CE stands for "Certified Europe". It is a standard which equipment must meet or exceed in order to be sold in Europe. CE provides a benchmark for safety and manufacturing issues. **CE is required only on equipment sold in Europe.**

Chore-Time Equipment recognizes the CE Mark and pursues compliance in all applicable products. *Fill in the CE-Mark serial number in the blank space provided for future reference.*



Distributor and Installer Information

Please fill in the following information about your Product.
Keep this manual in a clean, dry place for future reference.

Distributor's Name _____

Distributor's Address _____

Distributor's Phone _____ **Date of Purchase** _____

Installer's Name _____

Installer's Address _____

Installer's Phone _____ **Date of Installation** _____

System Specifications _____

About This Manual

The intent of this manual is to help you in two ways. One is to follow step-by-step in the order of assembly of your product. The other way is for easy reference if you have questions in a particular area.

Important ! Read **ALL** instructions carefully before starting construction.

Important ! Pay particular attention to all **SAFETY** information.

- *Metric measurements are shown in millimeters and in brackets, unless otherwise specified. " " equals inches and ' ' equals feet in English measurements.*

Examples:

1" [25.4]

4' [1 219]

- Optional equipment contains necessary instructions for assembly or operation.
- Major changes from the last printing will be listed on the back cover.
- This Planning Symbol is used in areas where planning needs to take place before construction continues.
- Very small numbers near an illustration (*i.e.*, 1257-48) are identification of the graphic, not a part number.



Safety Information

Caution, Warning and Danger Decals have been placed on the equipment to warn of potentially dangerous situations. Care should be taken to keep this information intact and easy to read at all times. Replace missing or damaged safety decals immediately.

Using the equipment for purposes other than specified in this manual may cause personal injury and/or damage to the equipment.



Safety-Alert Symbol

This is a safety-alert symbol. When you see this symbol on your equipment, be alert to the potential for personal injury. This equipment is designed to be installed and operated as safely as possible...however, hazards do exist.

Understanding Signal Words

Signal words are used in conjunction with the safety-alert symbol to identify the severity of the warning.



DANGER indicates an imminently hazardous situation which, if not avoided, **WILL** result in death or serious injury.



WARNING indicates a potentially hazardous situation which, if not avoided, **COULD** result in death or serious injury.



CAUTION indicates a hazardous situation which, if not avoided, **MAY** result in minor or moderate injury.

Follow Safety Instructions

Carefully read all safety messages in this manual and on your equipment safety signs. Follow recommended precautions and safe operating practices.

Keep safety signs in good condition. Replace missing or damaged safety signs.

Decal Descriptions

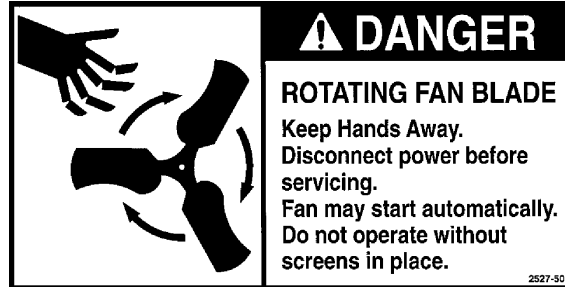


Figure 1. Danger Decal Part Number 2527-50

DANGER: Rotating Fan Blade (Part Number 2527-50)

- This Decal is placed on both sides of the shroud.
- Keep hands away.
- Disconnect power before servicing.
- The Fan may start automatically.
- Do not operate the Fan without the screens in place.

Disregard to the above mentioned **DANGER** will cause serious injury including death.

Decal Placement

This diagram shows the proper location of the safety decal “**DANGER—ROTATING FAN BLADE**” as shipped from the factory.

- Keep all Safety Signs and decals in good condition.
- Replace damaged or missing decals.
- Make sure the decals may be seen at all times.

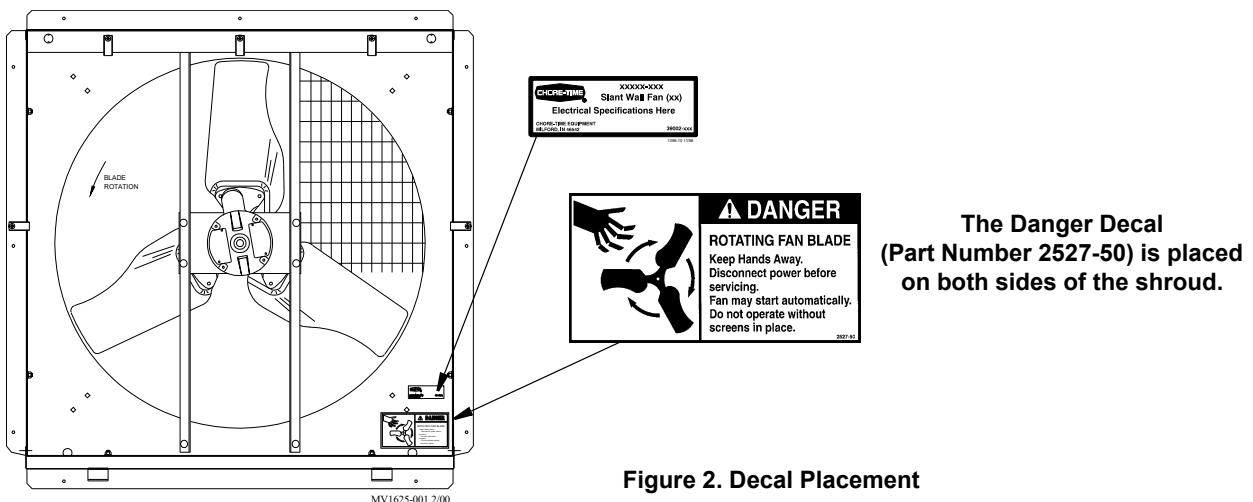


Figure 2. Decal Placement

Technical Information

Motor choices and specifications are provided in the Parts List section of this manual. See **Page 16** Fan Motor specifications.

Important! **Chore-Time Equipment strongly recommends that a good alarm system should be installed in confinement buildings to warn of power failure and high temperature.**

Chore-Time Equipment also recommends that an alternate power source be available for confinement buildings in case of power failure.

Wiring: See wiring diagram on Motor for Motor electrical Specifications. Chore-Time Equipment recommends that you follow local, state and national electric codes for wiring.

Tools Required

- Regular Screwdriver
- Hammer
- 1/2" Open End Wrench or Socket Wrench with 1/2" Socket
- Wire Cutters & Strippers
- Adequate Size & Quantity of Electrical Wire
- 5/16" Hex Key Wrench
- 5/16" Open End Wrench or a 12 Point 3/8" Socket and Ratchet

Fan Installation

Important! The 36" Cone and Slant Wall Fan must be installed in a side wall.

Build Fan framing out of 2" [50 mm] lumber (not supplied). The required rough opening is provided in the table below. Allow a minimum 4" spacing between framed openings for adjacent Cone Fan. Allowing a 4" spacing will provide clearance for the mounting flange. The Slant Wall Fans can be mounted closer together, but do not overlap flanges.

Insert the Fan Assembly in the framed opening in the side wall

Center the Fan Assembly in the framed opening, left to right. Allow the Fan Housing to set on the bottom of the framed opening.

Secure the Fan Assembly to the framed opening, using the included 1/4" x 1-3/4" Lag Screws starting with the center holes in each panel. The end holes will also be used for attaching the Corner Flange Angles.

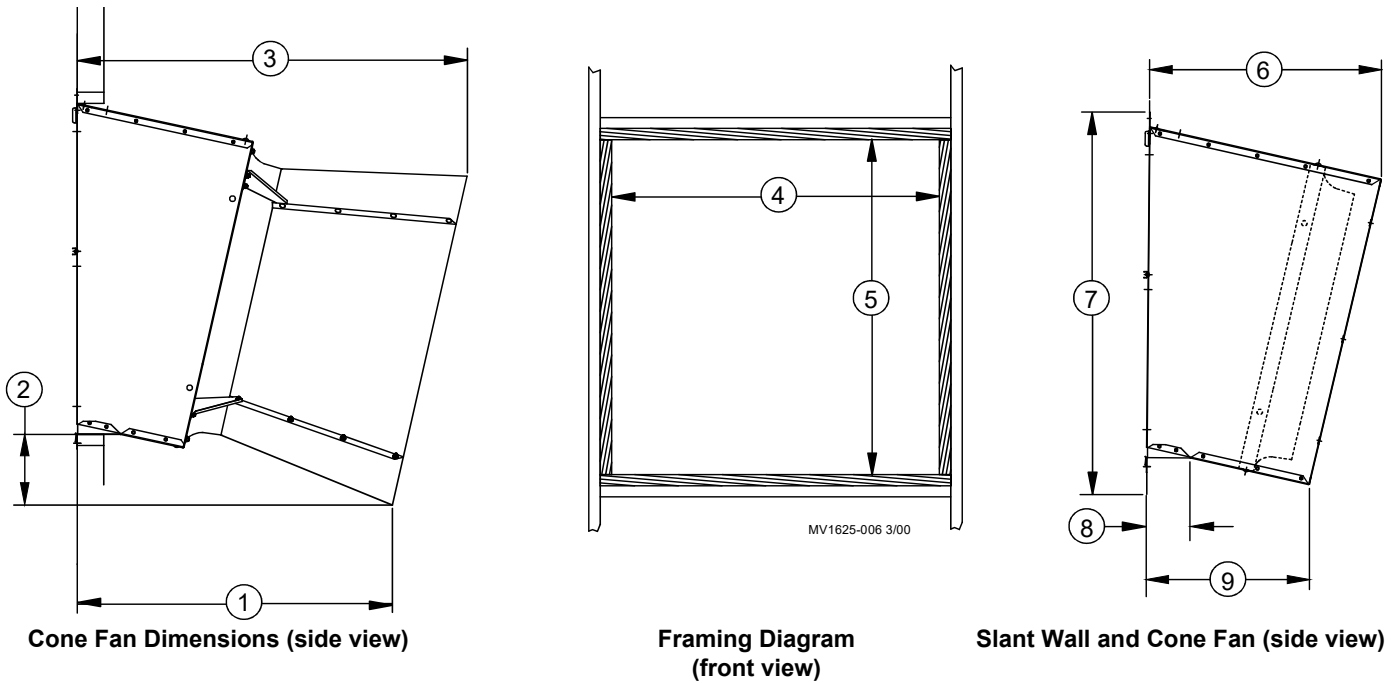


Table 1. Framing Size

Item	Description	Dimension
1	Bottom Length	41-3/8"
2	Vertical Dim. of Cone	9-1/2"
3	Top Length	51-1/8"
4	Rough Opening	43"
5	Rough Opening	45"
6	Top Length	30-7/16"
7	Height	48-3/8"
8	Slant Dim.	5-3/4"
9	Bottom Length	21-5/16"

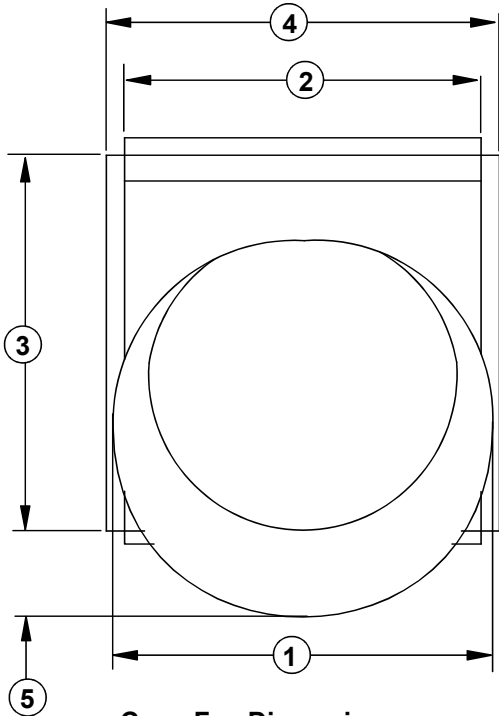
Figure 3. Slant Wall and Cone Fan Framing Dimensions

Fan Dimensions

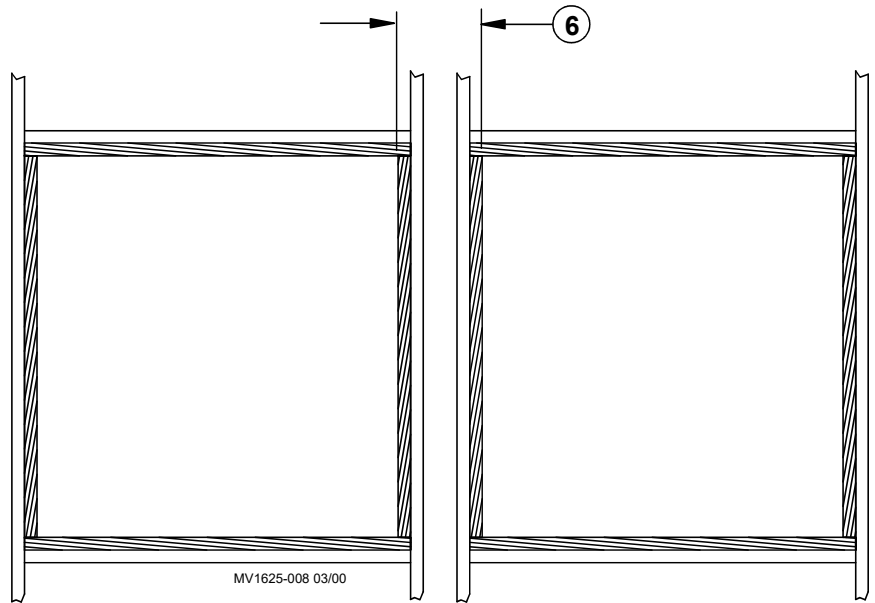


Planning the layout of the spacing between Cone Fans is very important. **SPACING TOO CLOSE TOGETHER WILL CAUSE DISTORTION** due to interference with the cones; thus, not allowing the fan to deliver optimum performance.

Allow a minimum 4" spacing between framed openings for adjacent Cone Fans.



Cone Fan Dimensions
(item 5, is for Cone Fans Only)



Spacing between framed openings 4"

Table 2. Fan Dimensions						
	1	2	3	4	5	6
36" DD Fans	45" [114.3 cm]	42" [106.68 cm]	44.375" [112.7 cm]	46" [116.84 cm]	10.156" [25.8 cm]	4" Min. Spacing [10.16 cm] Critical for Cone Fans

Figure 4. Slant Wall/Cone Fan spacing between framed openings.

Fan Assembly

Assemble the Corner Flange Angles in each corner of the Fan, by sliding the Corner Flange Angle under all edges of Flange Corners, secure with lag screws. The Slant Wall and Cone Fans are mounted the same way, as shown.

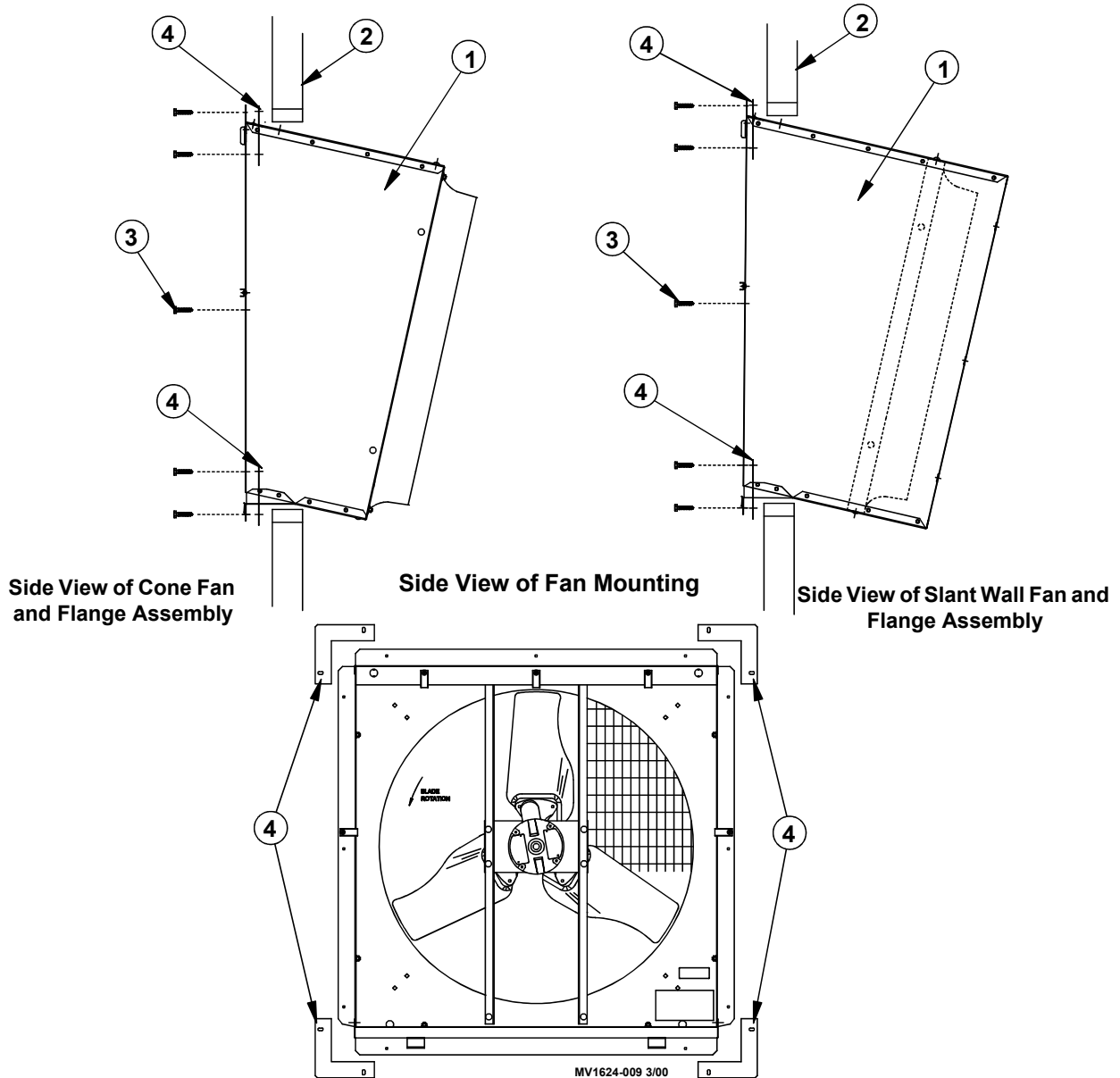


Figure 5. Corner Flange Angle Assembly

The Flange Angles are to be placed between the building and the Fan Flange

Item	Description
1	Fan Assembly
2	Side Wall of Building
3	1/4"x1-3/4" Lag Screw
4	Corner Flange Angles

Cone Assembly

The Cone must be assembled and installed in the field.

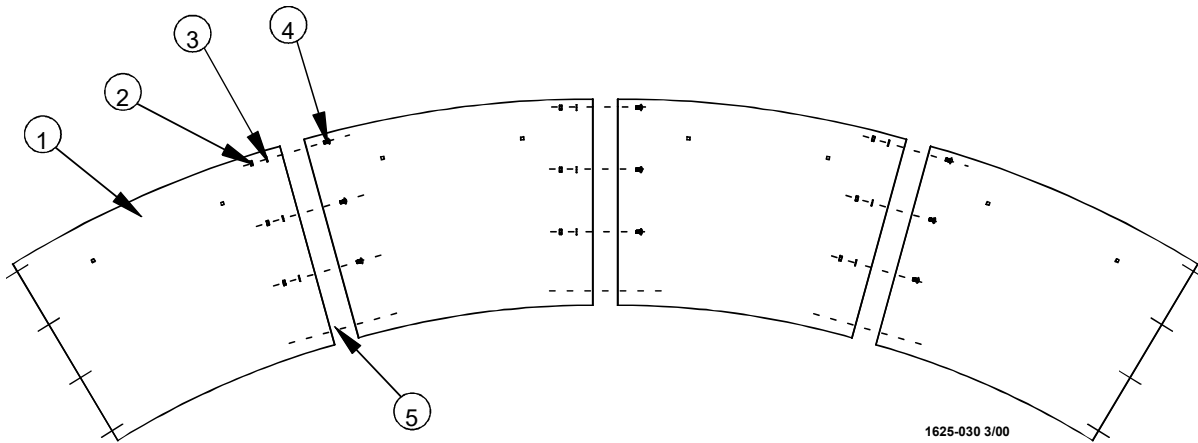
Important! The Fan must be installed in the wall before installing the Cone to the Fan.

Lay the Cone Panels, with the flanges up, on a flat surface, as shown in **Figure 6**.

Important! Do not fully tighten the hardware.

Loosely, fasten the Side Panels together with (3) 5/16-18 x 5/8" carriage bolts, (3) 3/8" lock washers, and (3) 5/16"-18 hex nuts per joint. Only install hardware at the locations shown in **Figure 6**.

Set the Cone Side Panels up and align the ends to create the cone shaped housing. **Loosely**, secure the ends similar to the other joints.



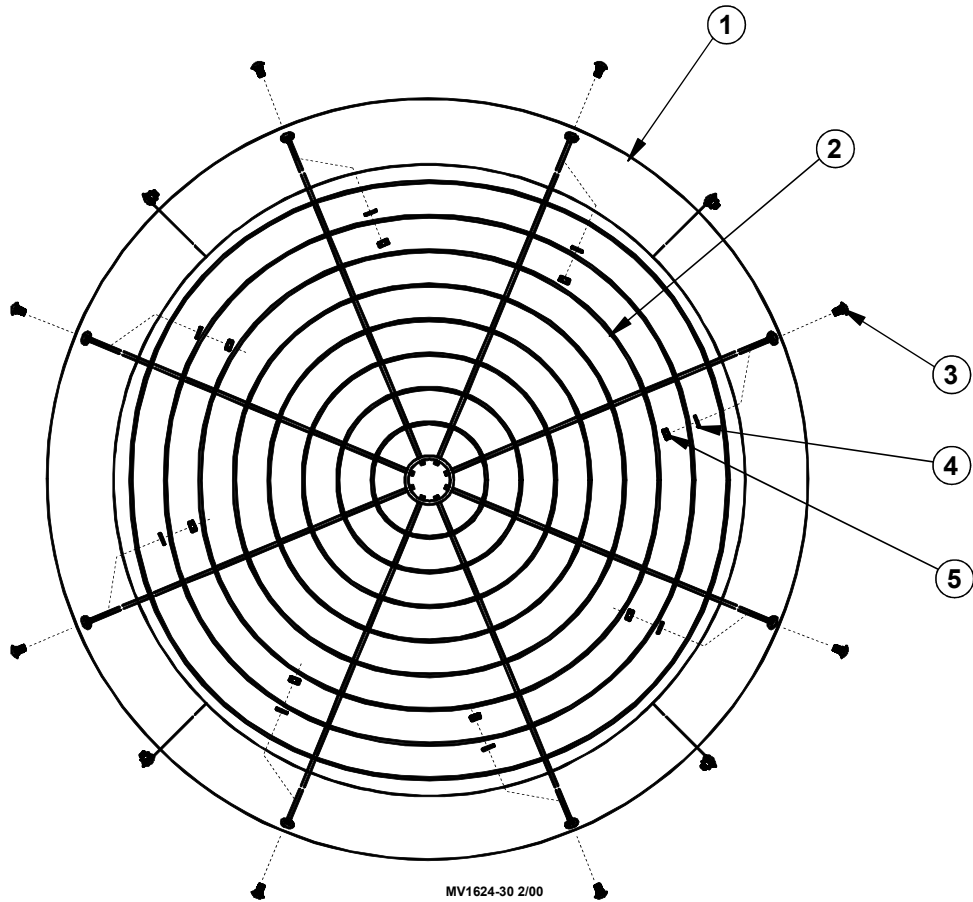
Cone Assembly		
Item	Description	Part Numbers
1	Cone Panel	37804
2	5/16-18" Hex Nut	2145
3	3/8" Lock Washer	5747
4	5/16-18 x 5/8" Carriage Bolt	8282
5	Do not install Hardware here.	39312

Figure 6. Cone Assembly (Top View)

Grill Installation

Notice: Position the Grill in the larger end of the Cone Assembly.
 Secure the Grill in place using the 5/16"-18 carriage bolts, 3/8" lock washers, and 5/16"-18 hex nuts. See Figure 7.

This will help maintain the shape of the Cone Assembly while it is being secured to the Fan Shroud.



Grill Installation		
Item	Description	Part Numbers
1	36" Fan Cone Kit	37936
2	Grill	37630
3	5/16-18" Hex Nut	2145
4	3/8" Lock Washer	5747
5	5/16-18 x 5/8" Carriage Bolt	8282

Figure 7. Grill Installation Diagram

Note: The flanges should be on the outside of the Cone. Secure each Cone Hanger Bracket to the Fan Shroud, using 5/16"-18 carriage bolts, 3/8" lock washers, and 5/16"-18 hex nuts. See Figure 8.

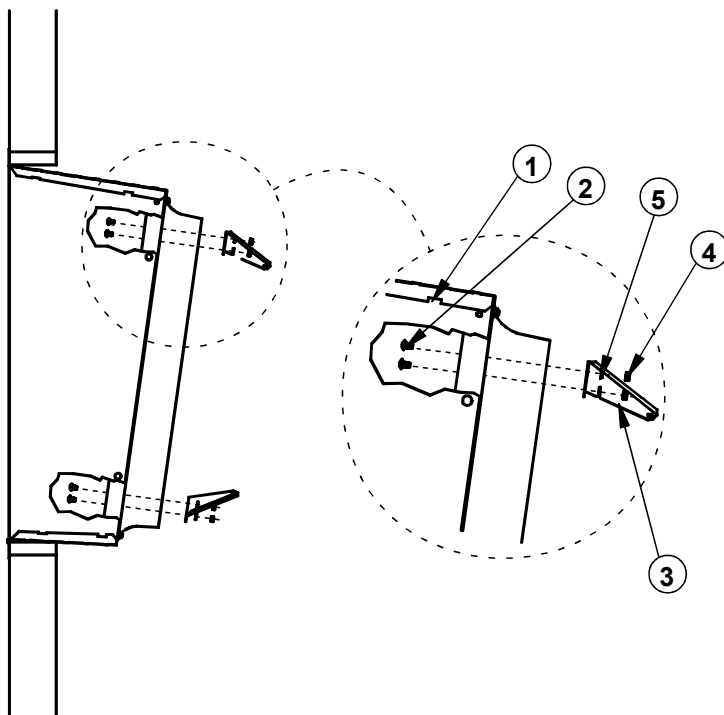


With the help of an assistant, lift the Cone Assembly to the Fan Shroud.

Slide the smaller end of the Cone Assembly over the Fan Shroud. Rotate the Cone Assembly to align the Panel Joints with the Cone Hanger Brackets.

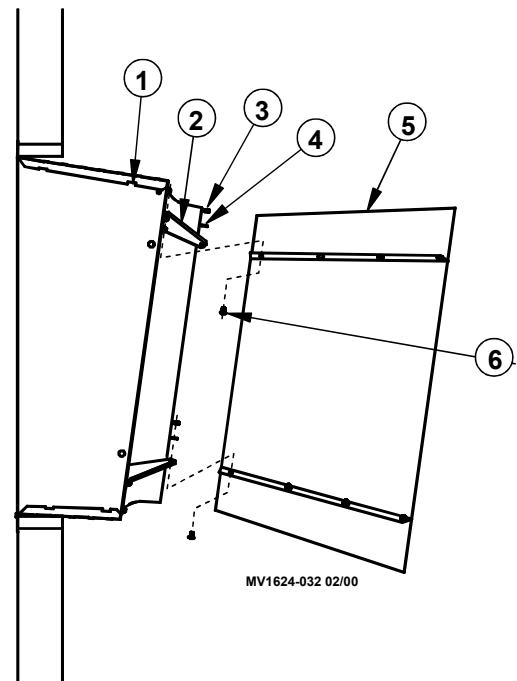
Secure the Cone Assembly to the Cone Hanger Brackets using (1) 5/16"-18 carriage bolt, 3/8" lock washer, and 5/16"-18 hex nut. See **Figure 8 and 9**.

Tighten all the hardware after the cone assembly is secure and in place.



Hanger Bracket Installation		
Item	Description	Part Number
1	Fan Assembly	44860-3620
2	5/16-18 x 5/8" Carriage Bolt	8282
3	Cone Hanger Bracket	37806
4	5/16-18" Hex Nut	2145
5	3/8" Lock Washer	5747

Figure 8. Hanger Bracket Installation (Side View)



Cone Assembly		
Item	Description	Part Number
1	Fan Assembly	44859-3620
2	Cone Hanger Bracket	37806
3	5/16-18" Hex Nut	2145
4	3/8" Lock Washer	5747
5	36" Fan Cone Kit	37935
6	5/16-18 x 5/8" Carriage Bolt	8282

Figure 9. Cone Installation (Side View).

Shutter Installation and Part Numbers

Plastic and Aluminum Shutters are available.

The Bottom Panel is designed with 2 tabs to hold either Shutter. **Shown in Figure 10.** Slide the bottom of the Shutter into position in the Bottom Panel Slots, lean the Shutter back and lock it in place by rotating the Shutter Clips. Check the Shutter for proper operation—the shutter must be able to open and close freely without obstructions.

Note: For both the Aluminum or Plastic Shutter, route the motor cord through the Knock-outs.

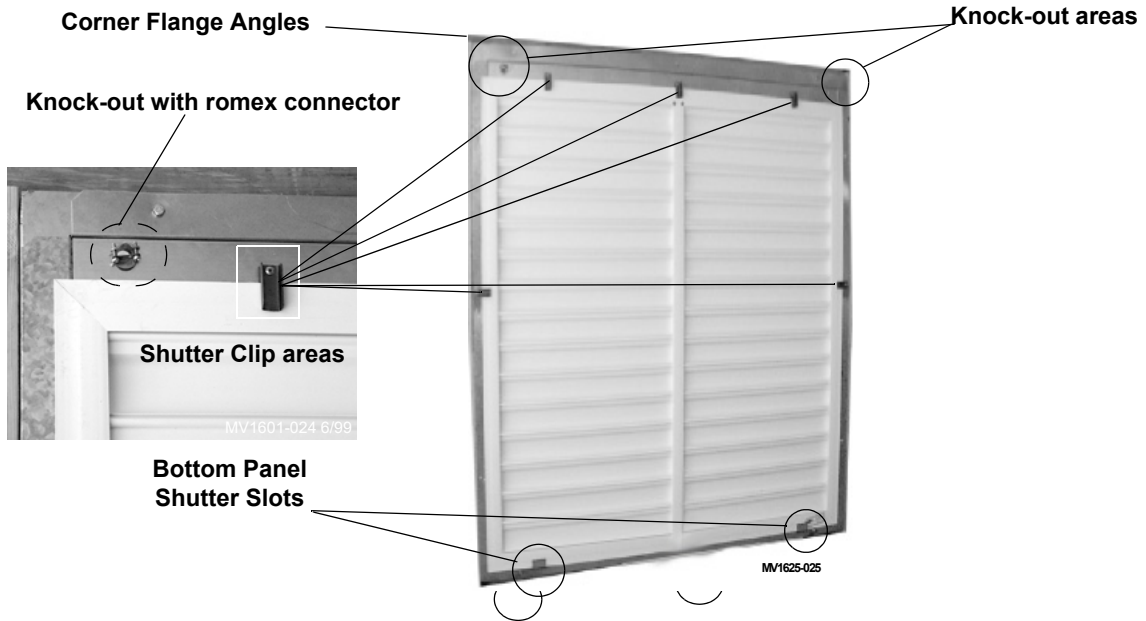
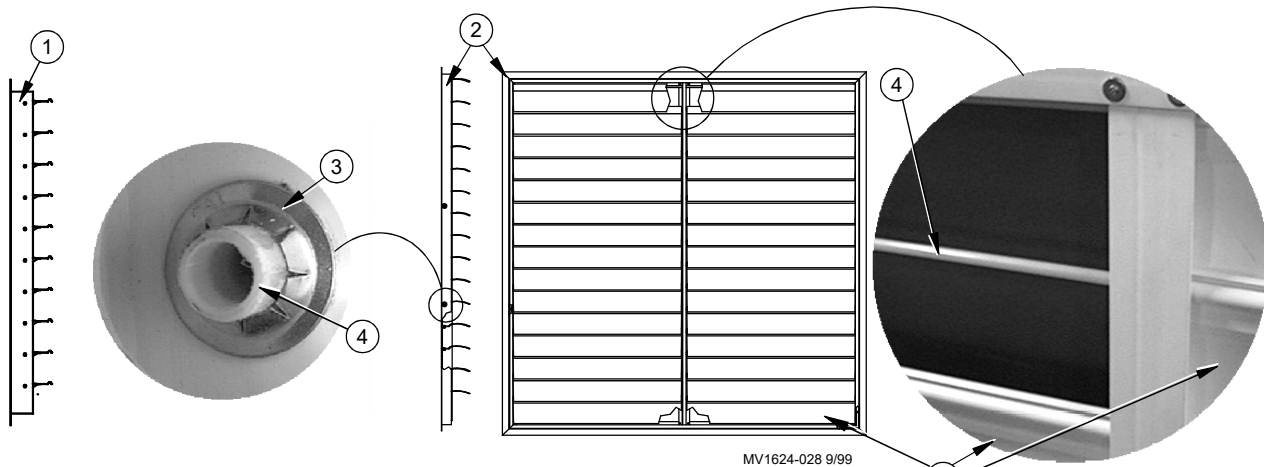


Figure 10. Shutter Placement Assembly



Item	Description	Part No.
1	Shutter Aluminum (complete)	38259
2	Shutter Plastic (complete)	38027
3	Push Nut 1/4"	38032
4	Shutter Rod Pivot	38702-2
5	Shutter Louver	38038-2

Figure 11. Plastic Shutter Parts

Maintenance



Danger!

Disconnect Power Prior To Maintaining Or Cleaning The Fan. The fan may start automatically causing serious injury or death.

- Service and repair of fans should be done only by a qualified technician.
- Minimize contact of moisture or corrosive chemicals to the surfaces of the fan components to maximize fan life.
- After washing fans, operate fans long enough to remove moisture from all fan surfaces.
- Keep the fan clean for maximum life and best performance. **Avoid spraying water on motor**
- Keep Shutters, Blades, and Housing clear of obstacles for best air performance. The motor bearings are prelubricated.

Motor Specifications

Table 3. Motor Specifications and Part Numbers						
Fan Specifications (assembled)	Motor Specifications					
Description	*Part No.	Voltage	HZ	Phase	HP	Motor Part No.
36" Slant Wall Direct Drive Fan	44859-362X	230	60	1	0.5	28936
36" Slant Wall Direct Drive Fan	44859-364X	230/460	60	3	0.5	42098
36" Cone Direct Drive Fan	44860-362X	230	60	1	0.5	28936
36" Cone Direct Drive Fan	44860-364X	230/460	60	3	0.5	42098

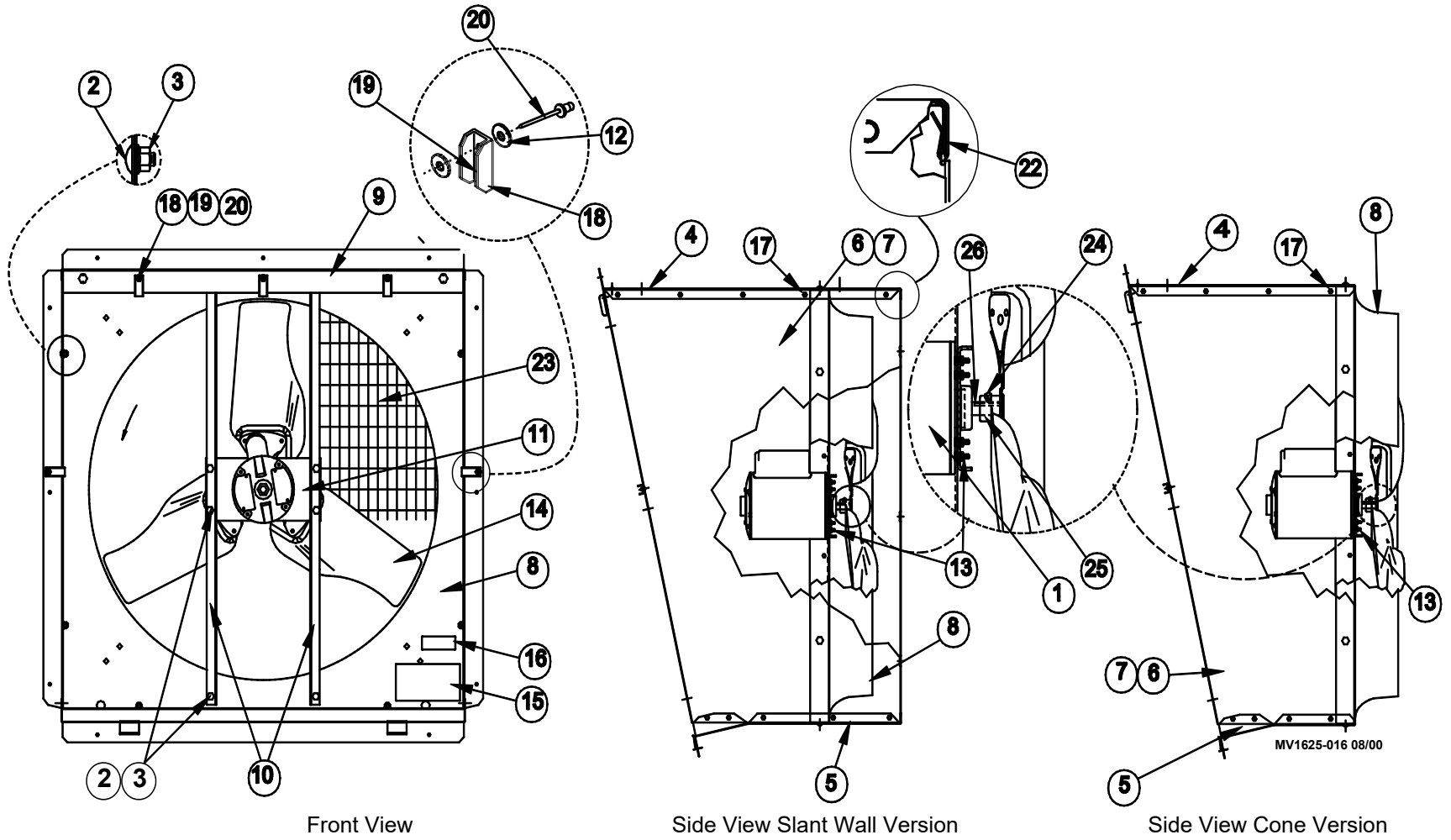
* Replace the "X" in fan P/N with "1" for an aluminum Shutter, "2" for a plastic shutter.

This page left blank intentionally....

Parts Listing

Cone Version				Slant Wall (SW) Version			
Item	Qty.	Description	Part Number	Item	Qty.	Description	Part Number
1	1	Motor	Varies	1	1	Motor	Varies
2	16	Bolt, Carriage 5/16-18 x .625	8282	2	16	Bolt, Carriage 5/16-18 x .625	8282
3	16	Flange nut, Hex 5/16-18	8490	3	16	Flange nut, Hex 5/16-18	8490
4	1	Panel, Top 36" SW 12.5°	44739	4	1	Panel, Top 36" SW 12.5°	44737
5	1	Panel, Bottom 36" SW 12.5°	44738	5	1	Panel, Bottom 36" SW 12.5°	44736
6	1	Panel, Side 36" SW 12.5° RH	43735-2	6	1	Panel, Side 36" SW 12.5° RH	43669-2
7	1	Panel, Side 36" SW 12.5° LH	43735-1	7	1	Panel, Side 36" SW 12.5° LH	43669-1
8	1	Shroud 36" Fan	5538	8	1	Shroud 36" Fan	5538
9	1	Brace, 36" Fan Shutter Mounting	44740	9	1	Brace, 36" Fan Shutter Mounting	44740
10	2	Post, 36" x 12.5° Fan	37209	10	2	Post, 36" x 12.5° Fan	37209
11	1	Support, 36" DD Fan Motor	36564	11	1	Support, 36" DD Fan Motor	36564
12	2	Flat Washer	2955-19	12	2	Flat Washer	2955-19
13	4	10-32 Serrated Flange Nut	48113	13	4	10-32 Serrated Flange Nut	48113
14	1	Blade, 36" Fan	40358	14	1	Blade, 36" Fan	40358
15	2	Decal, Danger	2527-50	15	2	Decal, Danger	2527-50
16	1	Decal, 36" SW Cone Fan (DD)	39002-216 or 217	16	1	Decal, 36" SW Fan (DD)	39002-214 or 215
17	16	Screw, HXWH SFTP 10-16 x .50	3037	17	16	Screw, HXWH SFTP 10-16 x .50	3037
18	5	Clip, Shutter SS 2.00 x .70	36729	18	5	Clip, Shutter SS 2.00 x .70	36729
19	5	Washer, Nylon .260 x .69 x .060	4856	19	5	Washer, Nylon .260 x .69 x .060	4856
20	9	Pop Rivet 3/16 x 3/8	2569	20	9	Pop Rivet 3/16 x 3/8	2569
24	Set Screw Torque to 150-165 in/lbs.			22	12	Clip, Screen EZ Fan	38891
25	Fan Hub is to be flush with the end of the motor shaft.			23	1	Screen, Wire 40 x 40	29046
26	Assemble the key supplied with motor as shown.			24	Set Screw Torque to 150-165 in/lbs.		
-----	1	Kit, 36" Fan Cone	37936	25	Fan Hub is to be flush with the end of the motor shaft.		
-----	1	Grill, 36" Cone	37629	26	Assemble the key supplied with motor as shown.		
-----	1	Pkg, Hdwr Installation	44932	-----	1	Pkg, Hdwr Installation	44932

Itemized Parts





**Made to work.
Built to last.**

Note: The original, authoritative version of this manual is the [English] version produced by CTB, Inc. or any of its subsidiaries or divisions, (hereafter collectively referred to as "CTB"). Subsequent changes to any manual made by any third party have not been reviewed nor authenticated by CTB. Such changes may include, but are not limited to, translation into languages other than [English], and additions to or deletions from the original content. CTB disclaims responsibility for any and all damages, injuries, warranty claims and/or any other claims associated with such changes, inasmuch as such changes result in content that is different from the authoritative CTB-published [English] version of the manual. For current product installation and operation information, please contact the customer service and/or technical service departments of the appropriate CTB subsidiary or division. Should you observe any questionable content in any manual, please notify CTB immediately in writing to: CTB Legal Department, P.O. Box 2000, Milford, IN 46542-2000 USA.

Revisions to this Manual

Page No.	Description of Change	ECO
1	Added Static Pressure and Obstruction info	31162

**For additional parts and information, contact your nearest Chore-Time distributor or representative.
Find your nearest distributor at: www.choretime.com/contacts**

CTB, Inc.
PO Box 2000
Milford, Indiana 46542-2000 USA
Phone (574) 658-4101 Fax (877) 730-8825
Email: choretime@choretime.com
Internet: www.choretime.com