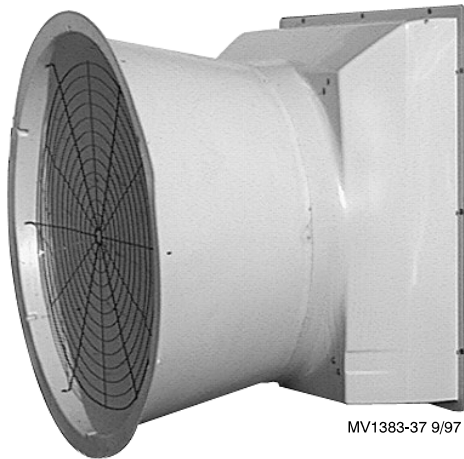


Turbo[®] Fiberglass Cone Fan and Grill Fan 36" Direct Drive

Installation & Operator's Instruction Manual



For additional parts and information, contact your nearest Chore-Time distributor or representative.
Find your nearest distributor at: www.choretime.com/contacts

Limited Warranty

Chore-Time Group, a division of CTB, Inc. (“Chore-Time”) warrants the new CHORE-TIME Turbo® Fans manufactured by Chore-Time to be free from defects in material or workmanship under normal usage and conditions, for One (1) year from the date of installation by the original purchaser (“Warranty”). Chore-Time provides for an extension of the aforementioned Warranty period (“Extended Warranty Period”) with respect to certain Product parts (“Component Part”) as set forth in the table below. If such a defect is determined by Chore-Time to exist within the applicable period, Chore-Time will, at its option, (a) repair the Product or Component Part free of charge, F.O.B. the factory of manufacture or (b) replace the Product or Component Part free of charge, F.O.B. the factory of manufacture. This Warranty is not transferable, and applies only to the original purchaser of the Product.

| Component Part | Extended Warranty Period |
|--|--------------------------|
| RXL Fan (except motors and bearings) | Three (3) Years |
| TURBO® Fan (except motors and bearings) | Three (3) Years |
| TURBO® Fan fiberglass housing, polyethylene cone, and cast aluminum blade. | Lifetime of Product |
| TURBO® fan motor and bearings. | Two (2) Years |
| Chore-Time® Poultry Feeder Pan | Three (3) Years |
| Chore-Time® Rotating Centerless Augers (except where used in applications involving high moisture feed stuffs exceeding 17%) | Ten (10) Years |
| Chore-Time Steel Auger Tubes | Ten (10) Years |
| ULTRAFLO® Breeder Feeding System auger and feed trough. | Five (5) Years |
| ULTRAPAN® Feeding System augers. | Five (5) Years |

CONDITIONS AND LIMITATIONS

THIS WARRANTY CONSTITUTES CHORE-TIME’S ENTIRE AND SOLE WARRANTY AND CHORE-TIME EXPRESSLY DISCLAIMS ANY AND ALL OTHER WARRANTIES, INCLUDING, BUT NOT LIMITED TO, EXPRESS AND IMPLIED WARRANTIES, INCLUDING, WITHOUT LIMITATION, WARRANTIES AS TO MERCHANTABILITY OR FITNESS FOR PARTICULAR PURPOSES. CHORE-TIME shall not be liable for any direct, indirect, incidental, consequential or special damages which any purchaser may suffer or claim to suffer as a result of any defect in the Product. Consequential or Special Damages as used herein include, but are not limited to, lost or damaged products or goods, costs of transportation, lost sales, lost orders, lost income, increased overhead, labor and incidental costs, and operational inefficiencies. *Some jurisdictions prohibit limitations on implied warranties and/or the exclusion or limitation of such damages, so these limitations and exclusions may not apply to you. This warranty gives the original purchaser specific legal rights. You may also have other rights based upon your specific jurisdiction.*

Compliance with federal, state and local rules which apply to the location, installation and use of the Product are the responsibility of the original purchaser, and CHORE-TIME shall not be liable for any damages which may result from non-compliance with such rules.

The following circumstances shall render this Warranty void:

- Modifications made to the Product not specifically delineated in the Product manual.
- Product not installed and/or operated in accordance with the instructions published by the CHORE-TIME.
- All components of the Product are not original equipment supplied by CHORE-TIME.
- Product was not purchased from and/or installed by a CHORE-TIME authorized distributor or certified representative.
- Product experienced malfunction or failure resulting from misuse, abuse, mismanagement, negligence, alteration, accident, or lack of proper maintenance, or from lightning strikes, electrical power surges or interruption of electricity.
- Product experienced corrosion, material deterioration and/or equipment malfunction caused by or consistent with the application of chemicals, minerals, sediments or other foreign elements.
- Product was used for any purpose other than for the care of poultry and livestock.

The Warranty and Extended Warranty may only be modified in writing by an officer of CHORE-TIME. CHORE-TIME shall have no obligation or responsibility for any representations or warranties made by or on behalf of any distributor, dealer, agent or certified representative.

Effective: **April, 2014**

Contents

| Topic | Page |
|--|-------------|
| Limited Warranty | 2 |
| Support Information | 4 |
| Distributor and Installer Information | 4 |
| Safety | 5 |
| Safety–Alert Symbol | 5 |
| Signal Words | 5 |
| DANGER: Electrical Hazard | 5 |
| Tools Required for Installation | 5 |
| Decal Location | 6 |
| Planning the Installation | 7 |
| Installation | 8 |
| Fan Installation | 8 |
| Installing the Cone or Grill to the Fiberglass Fan | 9 |
| Shutter Installation/Cord Routing and Wiring | 10 |
| Maintenance | 11 |
| Part Numbers | 11 |
| Fan Assembly Part Numbers | 11 |
| Fan Part Numbers | 12 |
| Shutter Part Numbers | 13 |

Support Information

Chore-Time TURBO® Cone & Grill Fans are designed to be used as exhaust fans in corrosive environments. The primary components are made from plastic or stainless steel materials. Using this equipment for any other purpose or in a way not within the operating recommendations specified in this manual will void the warranty and may cause personal injury.

This manual is designed to provide comprehensive planning, installation, operation, and parts listing information. The Table of Contents provides a convenient overview of the information in this manual. The Table of Contents also specifies which pages contain information for the sales personnel, installer, and consumer (end user).

Please fill in the following information about your Product.
Keep this manual in a clean, dry place for future reference.

Distributor’s Name _____

Distributor’s Address _____

Distributor’s Phone _____ **Date of Purchase** _____

Installer’s Name _____

Installer’s Address _____

Installer’s Phone _____ **Date of Installation** _____

System Specifications _____

Safety

Caution, Warning and Danger Decals have been placed on the equipment to warn of potentially dangerous situations. Care should be taken to keep this information intact and easy to read at all times. Replace missing or damaged safety signs.

Using the equipment for purposes other than specified in this manual may cause personal injury and or damage to the equipment.

Safety–Alert Symbol

This is a safety–alert symbol. When you see this symbol on your equipment, be alert to the potential for personal injury. This equipment is designed to be installed and operated as safely as possible...however, hazards do exist.



Signal Words

Signal words are used in conjunction with the safety–alert symbol to identify the severity of the warning.

DANGER indicates an imminently hazardous situation which, if not avoided, **WILL** result in death or serious injury.



DANGER

WARNING indicates a potentially hazardous situation which, if not avoided, **COULD** result in death or serious injury.



WARNING

CAUTION indicates a hazardous situation which, if not avoided, **MAY** result in minor or moderate injury.



CAUTION

DANGER: Electrical Hazard

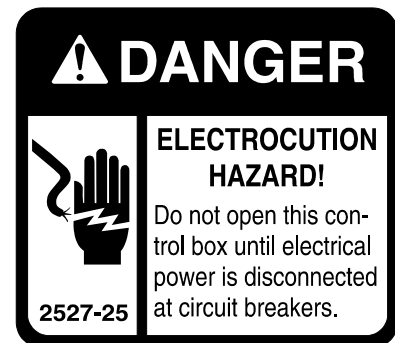
Disconnect electrical power before inspecting or servicing equipment unless maintenance instructions specifically state otherwise.

Ground all electrical equipment for safety.

All electrical wiring must be done by a qualified electrician in accordance with local and national electric codes.

Ground all non-current carrying metal parts to guard against electrical shock.

With the exception of motor overload protection, electrical disconnects and over current protection are not supplied with the equipment.

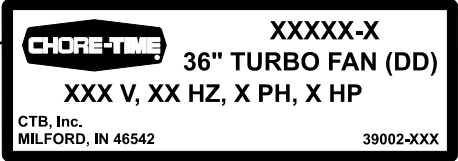
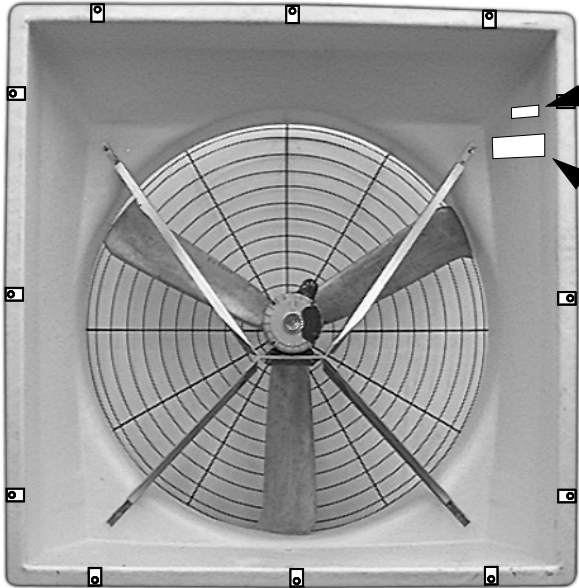


Tools Required for Installation

1. Regular Slotted Screwdriver
2. Wire Cutters
3. Wire Strippers
4. Adequate Electrical Wire
5. Electrical Drill & Drill Bits
6. Another person to help

Decal Location

This diagram shows the proper location of the safety decal as shipped from the factory. Replace damaged or missing decals. Make sure the decals can be easily seen at all times.



MV1384-12 8/97

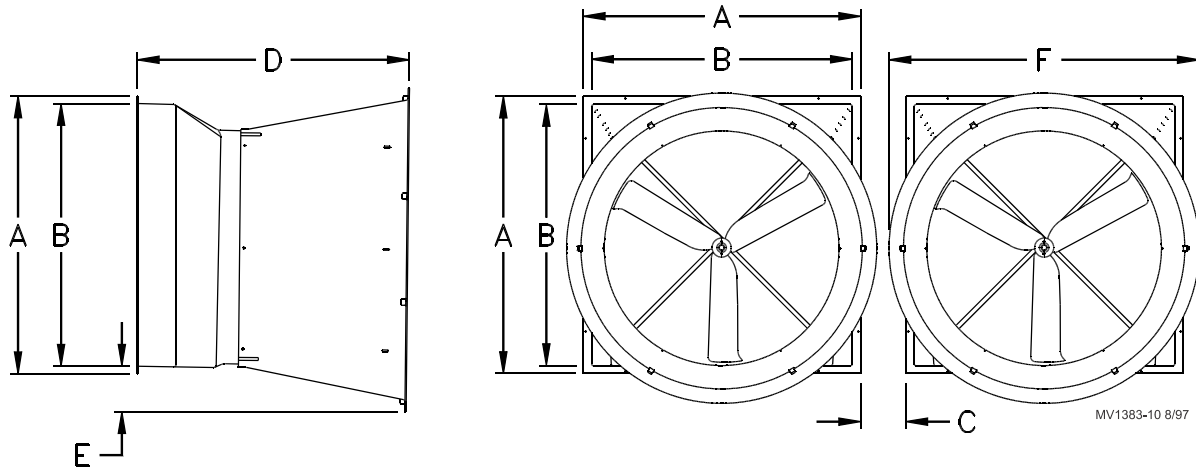
Planning the Installation

Carefully plan the installation.

Dimensions are provided for the 36" TURBO® Fans with Cones (See Figure 1.) and without cones (See Figure 2.) Be sure to allow enough space to install fans without interfering with other fans or equipment that may be installed at a later date.

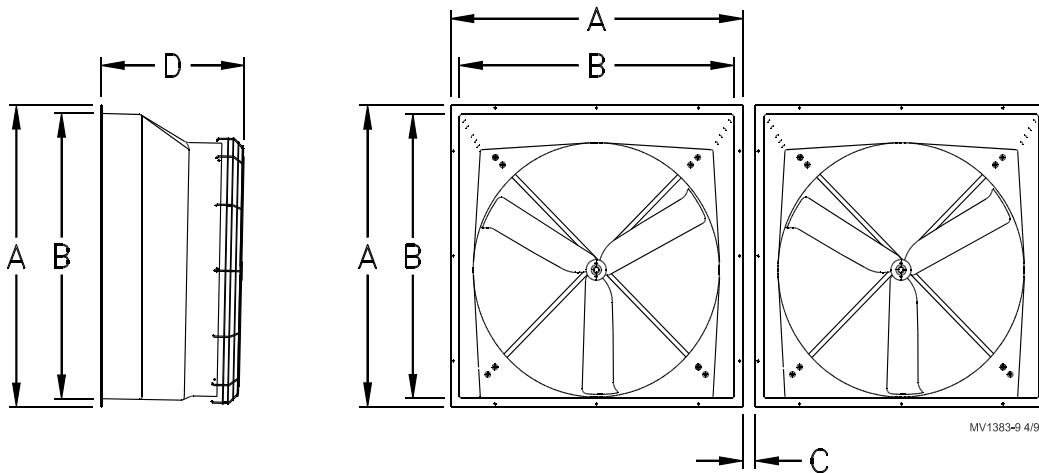
Note: See Figure 3 (on page 8) for framed opening size.

Important: Cones are wider than the actual opening cut into wall. Thus, dimension "C" must be no less than that listed in chart below.



| A | B Rough Frame Opening | C Minimum | D | E | F |
|-----------------------|-----------------------------|----------------------|-----------------------|---------------------|-----------------------|
| 45.38" (115.27 cm) | 43.00" (109.22 cm) | 12.00" (30.48 cm) | 47.00" (119.38 cm) | 6.85" (17.40 cm) | 52.38" (133.05 cm) |

Figure 1. Planning and Layout Diagram for Cone Fans



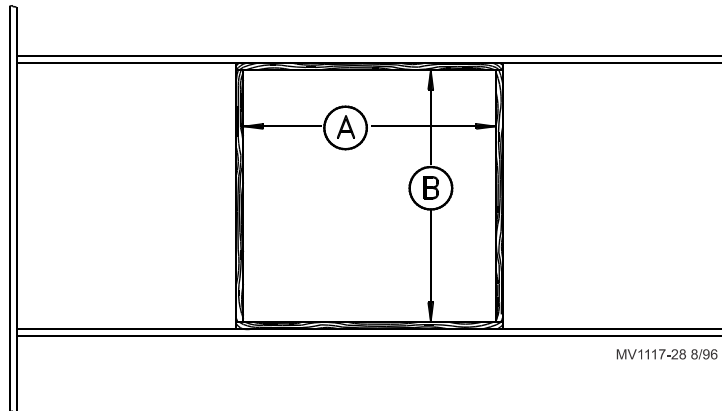
| A | B Rough Frame Opening | C Minimum | D |
|-----------------------|-----------------------------|-----------------|----------------------|
| 45.38" (115.27 cm) | 43.00" (109.22 cm) | 0" (0.00 cm) | 27.00" (68.58 cm) |

Figure 2. Planning and Layout Diagram for Grill Fans

Installation

Fan Installation

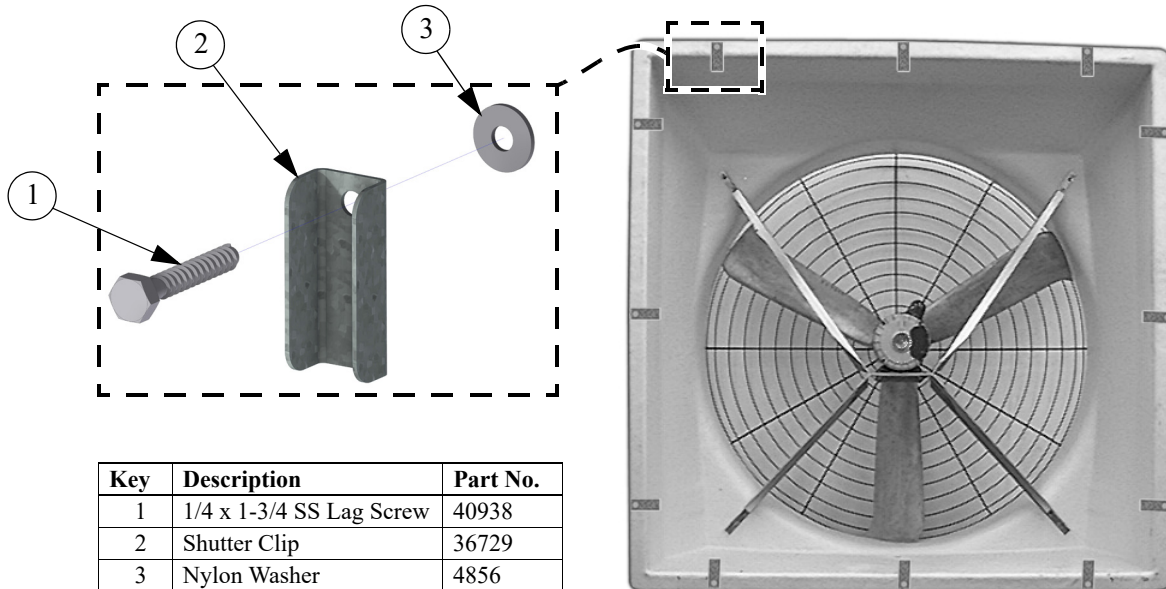
1. Cut an opening in the wall to house the fan—the required wall opening is provided in the chart below (See **Figure 3.**).
2. Construct a frame in the opening of the wall for the fan using 2" x 6" (50 x 152 mm) lumber—not supplied. Make sure framing is square and level. Fan assembly will set on the bottom framing member.



| Minimum Dimension | |
|-----------------------|-----------------------|
| A | B |
| 43.00" (109.22 cm) | 43.00" (109.22 cm) |

Figure 3. Framing Diagram

3. Insert the Fan Assembly in the wall opening and secure using the (12) 1/4 x 1-3/4" Lag Screws, Shutter Clips, and Nylon Washers provided. The Shroud is pre-drilled (3 holes per side). The hardware must be installed as shown in **Figure 4** below. This allows for rotation of the Shutter Clips when installing Shutter



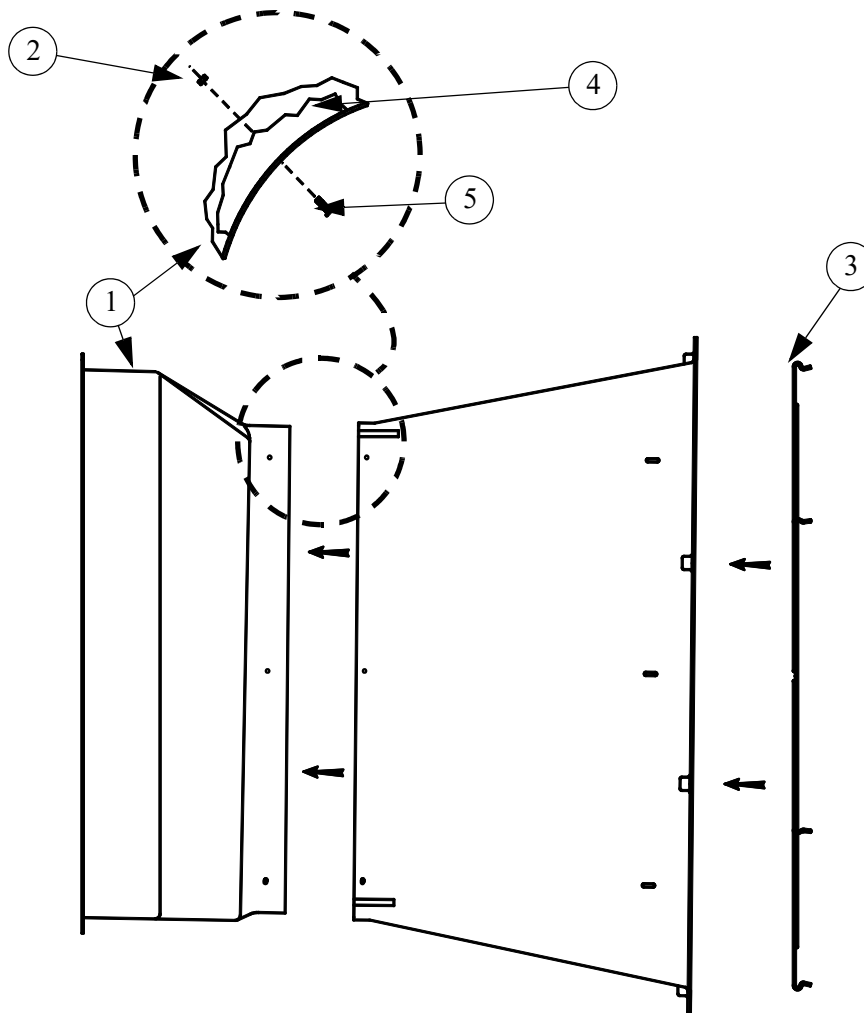
| Key | Description | Part No. |
|-----|--------------------------|----------|
| 1 | 1/4 x 1-3/4 SS Lag Screw | 40938 |
| 2 | Shutter Clip | 36729 |
| 3 | Nylon Washer | 4856 |

Figure 4. Fan Assembly

Installing the Cone or Grill to the Fiberglass Fan

Fiberglass Cone Fan:

- Slide the Cone onto the Shroud—the Shroud fits inside the Cone (See Figure 5.)
 4" slots are cut into the edge of the cone to allow expansion as the cone is slide onto the shroud.
 Align the holes in the Cone with the slots in the Shroud.
 Insert the (6) Wafer Head Bolts from inside the Shroud through the Cone and thread the Flange Nuts onto ends of the Wafer Head Bolts.
- Snap the Cone Grill into the slots on the outlet end of the Cone.

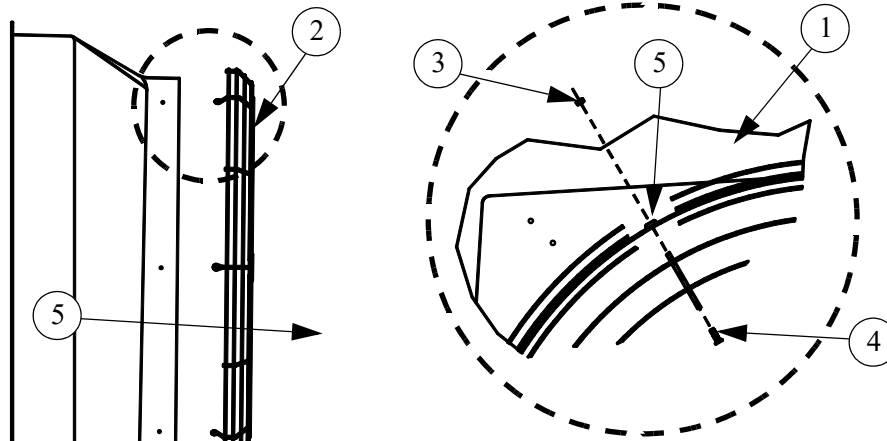


| Key | Description | Part No. |
|-----|-------------------------------|------------------------------------|
| 1 | Shroud | See "Fan Part Numbers" on page 12. |
| 2 | 1/4-20 SS Hex Ser. Flange Nut | 46298 |
| 3 | Cone Grill | 35228 |
| 4 | Cone | See "Fan Part Numbers" on page 12. |
| 5 | 1/4-20 x 7/8 Wafer Head Bolt | 40775 |

Figure 5. Cone Installation

Fiberglass Grill Fan:

1. Align the holes in the Grill with the slots in the Shroud.
2. Insert the (6) Wafer Head Bolts from inside the Shroud through the Grill and thread the Flange Nuts onto the ends of the Wafer Head Bolts.



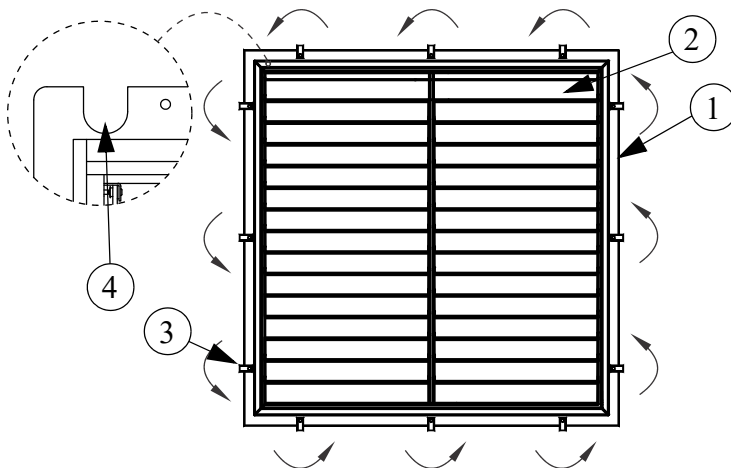
| Key | Description | Part No. |
|-----|-------------------------------|----------------------|
| 1 | Shroud | Varies (See Page 13) |
| 2 | Shroud Grill | 37920 |
| 3 | 1/4-20 SS Hex Ser. Flange Nut | 46298 |
| 4 | 1/4-20 x 7/8 Wafer Head Bolt | 40775 |
| 5 | Shroud Grill Mounting Loop | -- |

Figure 6.Grill Installation

Shutter Installation/Cord Routing and Wiring

1. See Wiring diagram on Motor for Motor electrical connections. Follow local, state, and national electrical codes for wiring
2. Install an electrical disconnect within reach of each Fan.
3. Route the motor cord (not supplied) toward the upper left corner of the Fan and attach the cord to the Motor Mount using the three Cable Ties—included in the hardware package.
4. Cut a 3/8" [9.53 mm] slot in the upper left flange of the Shutter frame in order to route the electrical cord out the back.
5. Position the Shutter, centered in the Fan Shroud, and rotate the Shutter Clips to lock the Shutter into place. Check the Shutter for proper operation. The Shutter must be able to open and close freely without obstructions.
6. Some installations may require an exit hole for the motor cord to be drilled in the side of the Shroud. These installations must have electrical wires routed through conduit.

Note: Make sure the conduit or wires do not interfere with the Fan Blades or Shutter operation.



| Key | Description |
|-----|--|
| 1 | Shroud |
| 2 | Plastic Shutter |
| 3 | Shutter Clip |
| 4 | 3/8" [9.53 mm] Slot to route Electrical Cord |

Figure 7.Wiring/Cord Routing

MV1384-11 5/98

Maintenance



Service and maintenance of fans should be done only by a qualified technician.

Disconnect Power prior to maintaining or cleaning the fan! The fan may start automatically causing injury or death.

1. Keep the fan clean for maximum life and best performance.
2. Clean Shutter, Cone and Shroud for maximum life and performance.
3. The Fiberglass Fans are shipped with the Danger Decal fastened to the Fan Shroud. Always keep the Decal clean and readable.

If the Decals becomes damaged or unreadable, order replacement Decals immediately.

Clean the Shroud at the approximate location where the Decal will be placed.

Peel the backing off the Decal and affix it to the Shroud.

Important!

Chore-Time strongly recommends that a good alarm system should be installed in confinement buildings to warn of power failure and high temperature.

Chore-time also recommends that an alternate power source be available for confinement buildings in case of power failure.

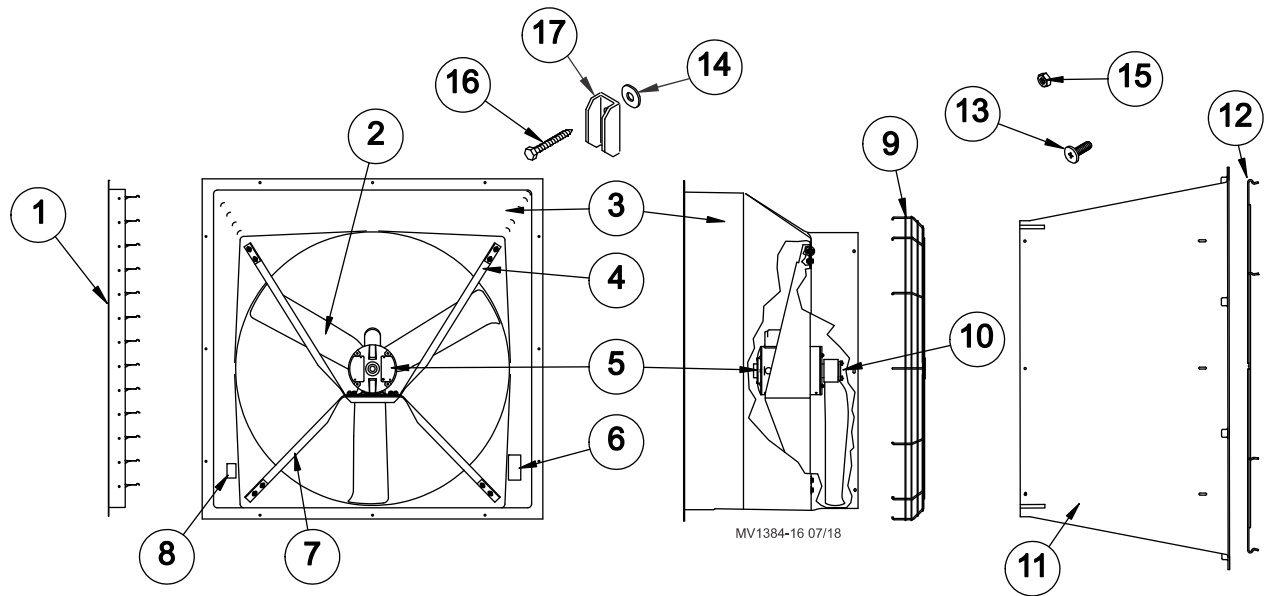
Part Numbers

Fan Assembly Part Numbers

| Fan Assembly Part Number | Fan Sub-Assembly Part No. | Fan Interior Color | Outlet | Voltage | Hz | PH | HP | Motor Part Number |
|--------------------------|---------------------------|--------------------|--------|-------------|----|----|-----|-------------------|
| 46775-3624 | 46973-224 | BLK | Cone | 208-230 | 60 | 1 | 0.5 | 37737 |
| 46776-3624 | 46973-224 | BLK | Grill | 208-230 | 60 | 1 | 0.5 | 37737 |
| 46775-3624W | 46973-224 | BLK | Cone | 208-230 | 60 | 1 | 0.5 | 37737 |
| 46775-3644 | 46973-424 | BLK | Cone | 208-230/460 | 60 | 3 | 0.5 | 38911 |
| 46776-3644 | 46973-424 | BLK | Grill | 208-230/460 | 60 | 3 | 0.5 | 38911 |
| 46775-3644W | 46973-424 | BLK | Cone | 208-230/460 | 60 | 3 | 0.5 | 38911 |
| 38265-3620 | 38232-220 | white | Cone | 208-230 | 60 | 1 | 0.5 | 37737 |
| 38265-3622 | 38232-222 | white | Cone | 208-230 | 60 | 1 | 0.5 | 37737 |
| 38947-3620 | 38232-220 | white | Grill | 208-230 | 60 | 1 | 0.5 | 37737 |
| 38947-3622 | 38232-222 | white | Grill | 208-230 | 60 | 1 | 0.5 | 37737 |
| 38265-3642 | 38232-422 | white | Cone | 208-230/460 | 60 | 3 | 0.5 | 38911 |
| 38265-3640 | 38232-420 | white | Cone | 208-230/460 | 60 | 3 | 0.5 | 38911 |
| 38947-3640 | 38232-420 | white | Grill | 208-230/460 | 60 | 3 | 0.5 | 38911 |
| 38947-3642 | 38232-422 | white | Grill | 208-230/460 | 60 | 3 | 0.5 | 38911 |

The last digit in the Fan assembly part number = "2" for Flat White Plastic Shutter, "4" for a Flat Gray Plastic Shutter, and "0" for No Shutter.

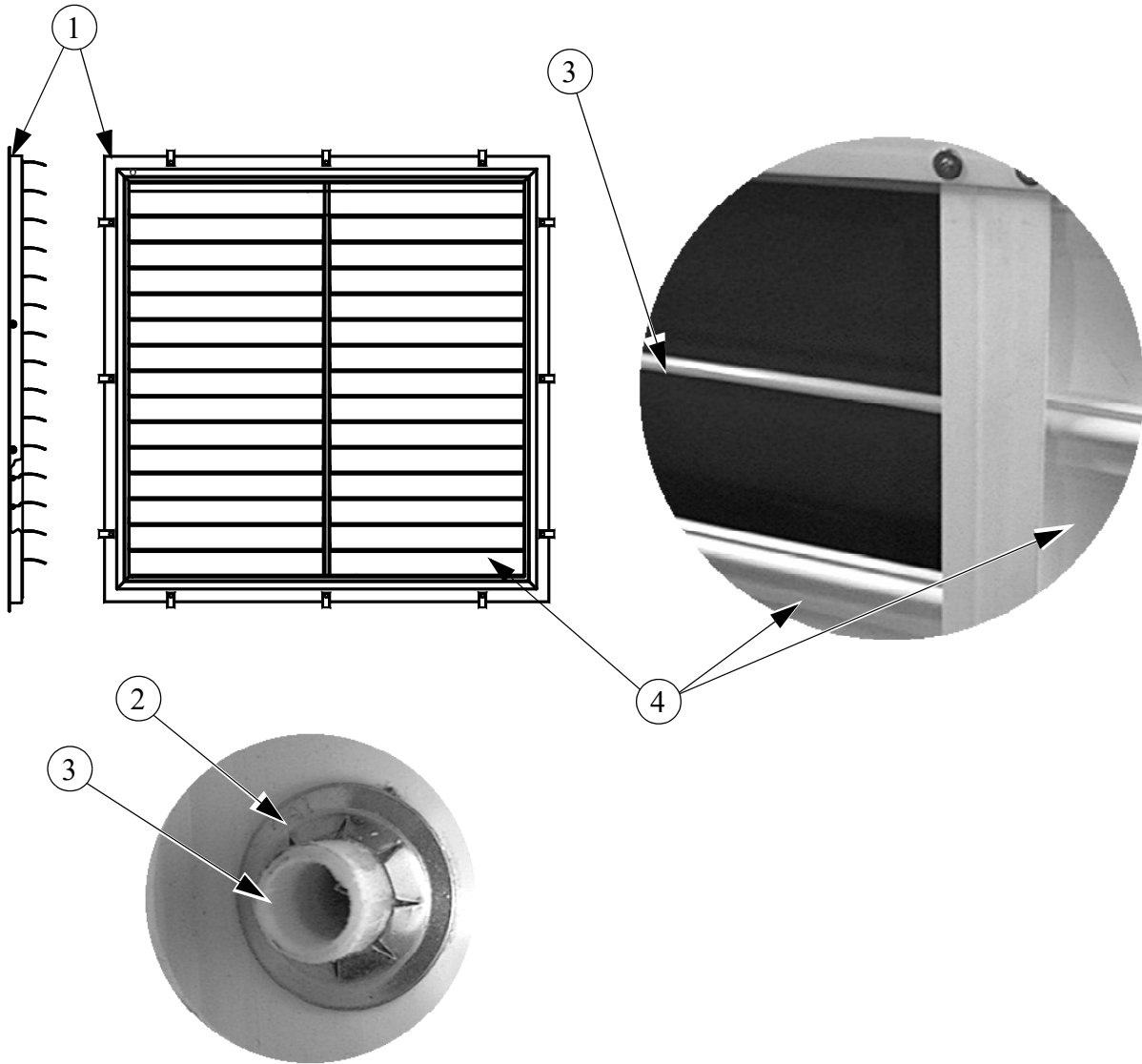
Fan Part Numbers



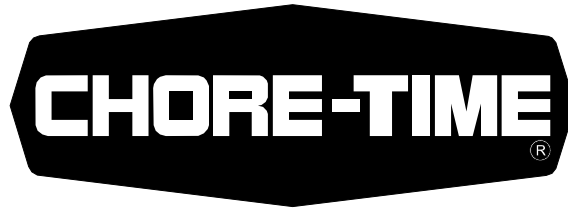
| Fill the numbers in for “XX” for complete Fan Part Number | | | | | | |
|---|------------------------------------|-----------|---|---|---|---|
| Item | Description | Part No | Fan w/White Shroud Models 38265-36XX | Fan w/Black Shroud Models 46775-36XX | Fan w/White Shroud Models 38947-36XX | Fan w/Black Shroud Models 46776-36XX |
| 1* | Shutter (White) | 38027 | 22,42 | -- | 22,42 | -- |
| | Shutter (Gray) | 46972 | -- | All | -- | All |
| 2 | Cast Aluminum Blade | 38902-2 | All | All | All | All |
| | Fiberglass Shroud (White) | 37913 | All | -- | All | -- |
| | Fiberglass Shroud (Black Interior) | 46970 | -- | All | -- | All |
| 4 | Upper Motor Mount | 37738 | All | All | All | All |
| 5** | Motor | ** | ** | ** | ** | ** |
| 6 | Danger Decal | 2527-50 | All | All | All | All |
| 7 | Lower Motor Mount | 37739 | All | All | All | All |
| 8 | Identification Decal | 39002-XXX | All | All | All | All |
| 9 | Shroud Grill | 37920 | -- | -- | All | All |
| 10 | Taper Lock Hub | 38907 | All | All | All | All |
| 11 | Plastic Outlet Cone (White) | 38267 | All | 24W,44W | -- | -- |
| | Plastic Outlet Cone (Black) | 46971 | -- | 24,44 | -- | -- |
| 12 | Cone Grill | 35228 | All | All | -- | -- |
| 13 | 1/4-20 x 7/8 Wafer Head Bolt | 40775 | All | All | -- | -- |
| 14 | Nylon Washer | 4856 | All | All | All | All |
| 15 | 1/4-20 SS Hex Ser. Flange Nut | 46298 | All | All | -- | -- |
| 16 | 1/4 x 1-3/4 SS Lag Screw | 41561 | All | All | All | All |
| 17 | Shutter Clip | 36729 | All | All | All | All |

*See “Shutter Part Numbers” on page 13.
**See “Fan Assembly Part Numbers” on page 11 for Motor Specifications

Shutter Part Numbers



| Item | Description | Part No. |
|------|-------------------------|----------|
| 1 | Plastic Shutter (White) | 38027 |
| | Plastic Shutter (Gray) | 46972 |
| 2 | Push Nut, 1/4" | 38032 |
| 3 | Shutter Rod Pivot | 38702-2 |
| 4 | Shutter Louver (White) | 38038-2 |
| | Shutter Louver Gray | 46715-2 |



Note: The original, authoritative version of this manual is the English version produced by CTB, Inc. or any of its subsidiaries or divisions, (hereafter collectively referred to as "CTB"). Subsequent changes to any manual made by any third party have not been reviewed nor authenticated by CTB. Such changes may include, but are not limited to, translation into languages other than English, and additions to or deletions from the original content. CTB disclaims responsibility for any and all damages, injuries, warranty claims and/or any other claims associated with such changes, inasmuch as such changes result in content that is different from the authoritative CTB-published English version of the manual. For current product installation and operation information, please contact the customer service and/or technical service departments of the appropriate CTB subsidiary or division. Should you observe any questionable content in any manual, please notify CTB immediately in writing to: CTB Legal Department, P.O. Box 2000, Milford, IN 46542-2000 USA.

Revisions to this Manual

| Page No. | Description of Change | ECO |
|----------|--|-------|
| | | 33685 |
| 11 | Added Fan Assembly part numbers | |
| Various | Removed any reference to Aluminum Shutters | |
| 2 | New Warranty | |
| Various | Darkened graphics | |
| 14 | Updated contact info | |
| 12 | Updated BOM. Added all current Fan models | |
| Various | Changed 38590 to 37913 Shroud | |
| 13 | Added to Shutter Information | |

**For additional parts and information, contact your nearest Chore-Time distributor or representative.
Find your nearest distributor at: www.choretime.com/contacts**

Chore-Time Group, A division of CTB, Inc.
PO Box 2000
Milford, Indiana 46542-2000 USA
Phone (574) 658-4101 Fax (877) 730-8825
Email: choretime@choretime.com
Internet: www.choretime.com