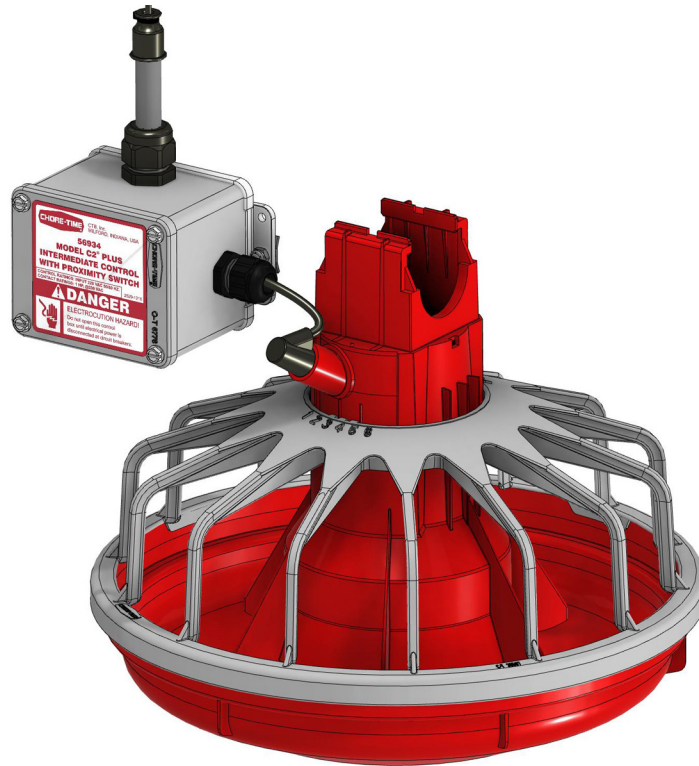


C2 Plus Mid-line Proximity Sensor Retro-Fit Kit Installation Instruction

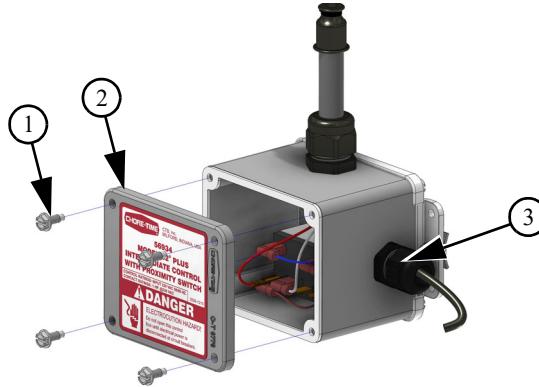


For additional parts and information, contact your nearest Chore-Time distributor or representative.
Find your nearest distributor at: www.choretime.com/contacts

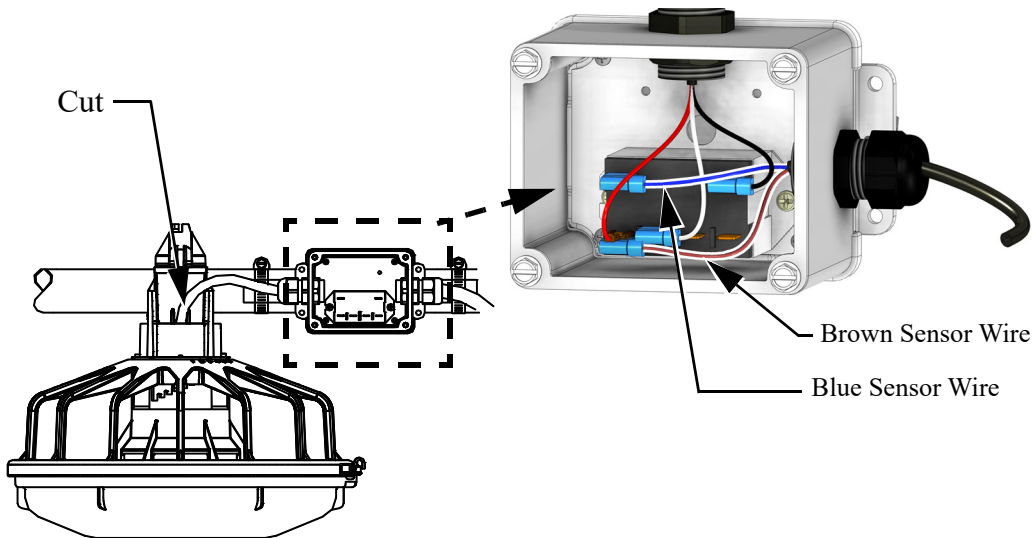
CTB, Inc.
PO Box 2000
Milford, Indiana 46542-2000 USA
Phone (574) 658-4101 Fax (877) 730-8825
Email: choretime@choretime.com
Internet: www.choretime.com

Step 1. Remove (4x) Screws (**Item 1**) and the Relay Box Cover (**Item 2**) as shown. Loosen the Watertight Connector (**Item 3**).

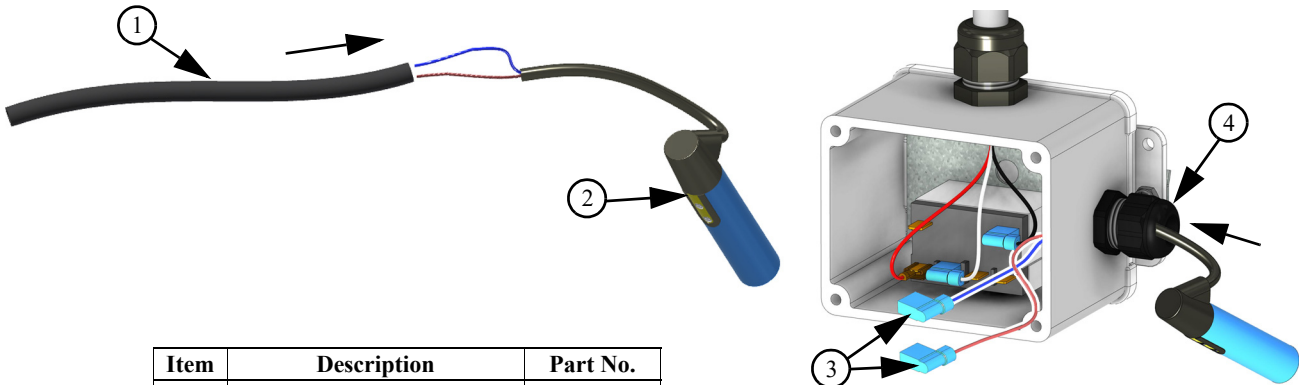
Item	Description
1	#10-14 Screw
2	Relay Box Cover
3	Water Tight Connector



Step 2. Take note of the location of the old Sensor Wire Leads. Cut the old Black Sensor Wire near the Cone to allow Sensor Wires and old Sensor to be removed. Remove them and remove the old Proximity Sensor.

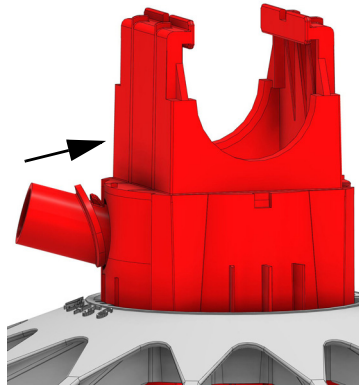
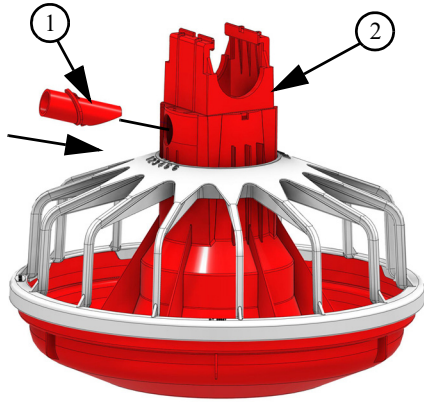


Step 3. Slide supplied Vinyl Tubing (**Item 1**) over the new Sensor Wire, then thread new Sensor Wires through the Watertight Connector (**do this before crimping the 90 deg terminals onto the sensor leads**). Crimp 90 deg. terminals onto the new Sensor Wire Leads. Place the new Brown and Blue Sensor Leads in the same position they were in (**See Step 2**). Tighten the Relay Box Watertight Connector.



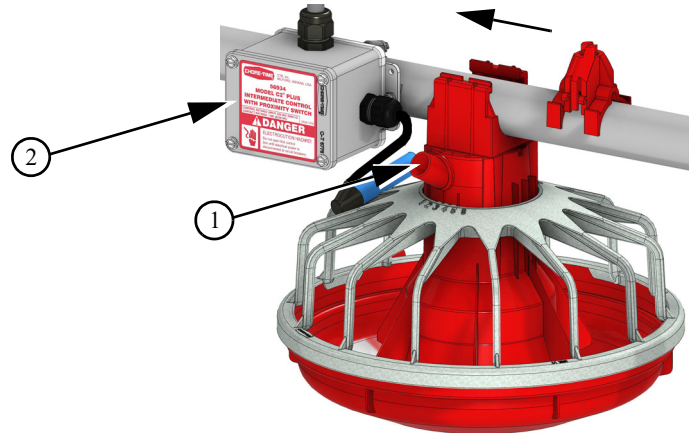
Item	Description	Part No.
1	.25 Vinyl Tubing (Included)	14454-2
2	New Proximity Sensor	56275
3	90° Terminals	56281
4	Water Tight Connector	--

Step 4. Snap the Proximity Sensor Holder (**Item 1**) into place on new Cone (**Item 2**). Engage the bottom edge first and then snap in the Top (May be done for you already).



Item	Description	Part No.
1	Proximity Sensor Holder	56768
2	New Cone	56767

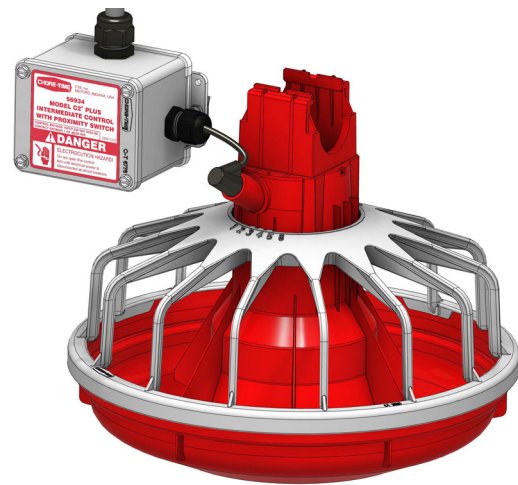
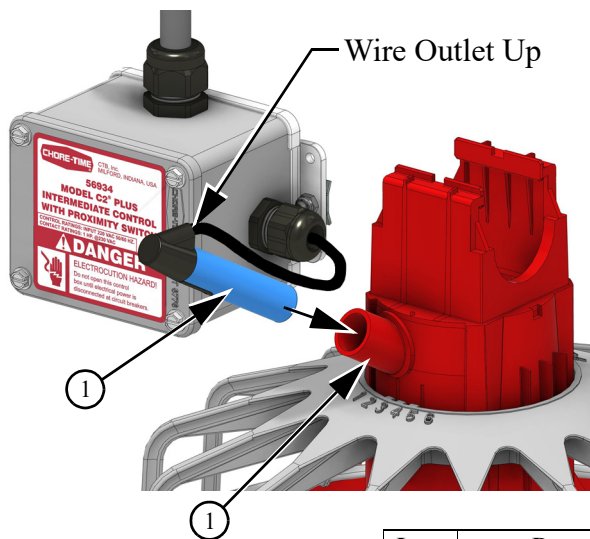
Step 5. Put the Feeder on the feed line. Make sure the Proximity Sensor Holder /cone hole is facing the same side as the White Relay Box.



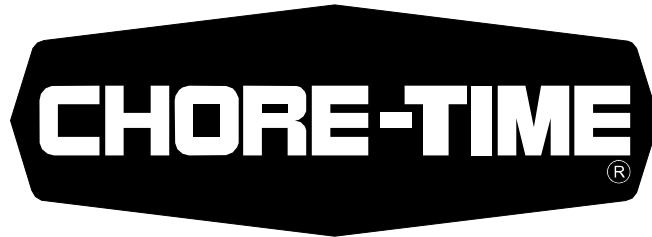
Item	Description	Part No.
1	Proximity Sensor Holder	56768
2	White Relay Box	--

Step 6. Place Sensor (**Item 1**) in the Sensor Holder (**Item 2**). Make sure the wire outlet from sensor is facing up. This will keep the wire away from birds and prevent birds getting caught.

Note: Be sure to push the Sensor all the way in.



Item	Description	Part No.
1	Proximity Sensor	56275
2	Sensor Holder	--



**MADE TO WORK.
BUILT TO LAST.®**

Revisions to this Manual

Page No.	Description of Change	ECO
	New Manual	35220

**For additional parts and information, contact your nearest Chore-Time distributor or representative.
Find your nearest distributor at: www.choretime.com/contacts**

CTB, Inc.
PO Box 2000
Milford, Indiana 46542-2000 USA
Phone (574) 658-4101 Fax (877) 730-8825
Email: choretime@choretime.com
Internet: www.choretime.com