

ATF Control Pan Light (230 VAC)
Part No. 55495
Installation and Operators Instruction Manual



Installation and Operators Manual

Installation and Operators Manual

Contact your nearby Chore-Time distributor or representative for additional parts and information.

Chore-Time Group
A division of CTB, Inc.
PO Box 2000
Milford, Indiana 46542-2000 USA
Phone (574) 658-4101 Fax (877) 730-8825
E-mail: poultry@choretime.com
Internet: www.choretimepoultry.com

Contents

Topic	Page
Safety and General Information	3
Follow Safety Instructions	3
Decal Descriptions	3
DANGER: Moving Parts	3
DANGER: Electrical Hazard	3
Assembly	4
Light Assembly	4
Cutting out Hole Drilling Template	5
Drilling Holes in Pan Shield	7
Cord hole	7
Light Mounting Holes	7
Attaching the Light to the Pan & Install Plastic Bushing	8
Drilling Hole in Switch Control Box	8
Wiring	9
ATF Pan Light Wiring with Electronic Sensor	9
DANGER: Electrical Hazard	9
Electrical disconnects and over current protection are not supplied with the equipment.	9
ATF Pan Light with Mechanical Switch Wiring	10
Parts Listing	11

Safety and General Information

Caution, Warning and Danger Decals have been placed on the equipment to warn of potentially dangerous situations. Care should be taken to keep this information intact and easy to read at all times. Replace missing or damaged safety decals immediately.

Safety–Alert Symbol



This is a safety–alert symbol. When you see this symbol on your equipment, be alert to the potential for personal injury. This equipment is designed to be installed and operated as safely as possible...however, hazards do exist.

Understanding Signal Words

Signal words are used in conjunction with the safety–alert symbol to identify the severity of the warning.



DANGER indicates an imminently hazardous situation which, if not avoided, **WILL** result in death or serious injury.



WARNING indicates a potentially hazardous situation which, if not avoided, **COULD** result in death or serious injury.



CAUTION indicates a hazardous situation which, if not avoided, **MAY** result in minor or moderate injury.

Follow Safety Instructions

Carefully read all safety messages in this manual and on your equipment safety signs. Follow recommended precautions and safe operating practices.

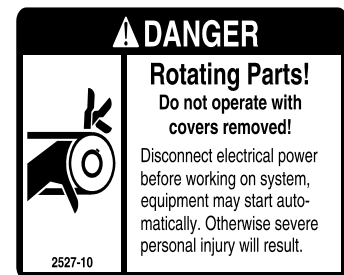
Keep safety signs in good condition. Replace missing or damaged safety signs.

Decal Descriptions

DANGER: Moving Parts

Disconnect electrical power before working on system, equipment may start automatically. Otherwise personal injury will result.

Severe personal injury will result if the equipment is operated without covers properly installed.



DANGER: Electrical Hazard

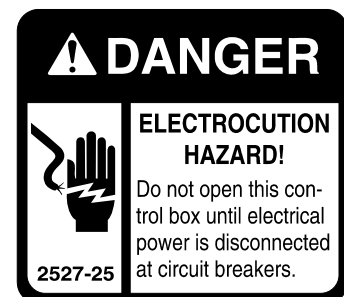
Disconnect electrical power before inspecting or servicing equipment unless maintenance instructions specifically state otherwise.

Ground all electrical equipment for safety.

All electrical wiring must be done by a qualified electrician in accordance with local and national electric codes.

Ground all non-current carrying metal parts to guard against electrical shock.

Electrical disconnects and over current protection are not supplied with the equipment.



Assembly

Light Assembly



Figure 1. Light Assembly

5 **Cutting out Hole Drilling Template**

1. Cut out the Templates below. Cut on the dashed lines for **ATF Plus** Feeders.

Important! Do Not cut out the holes!

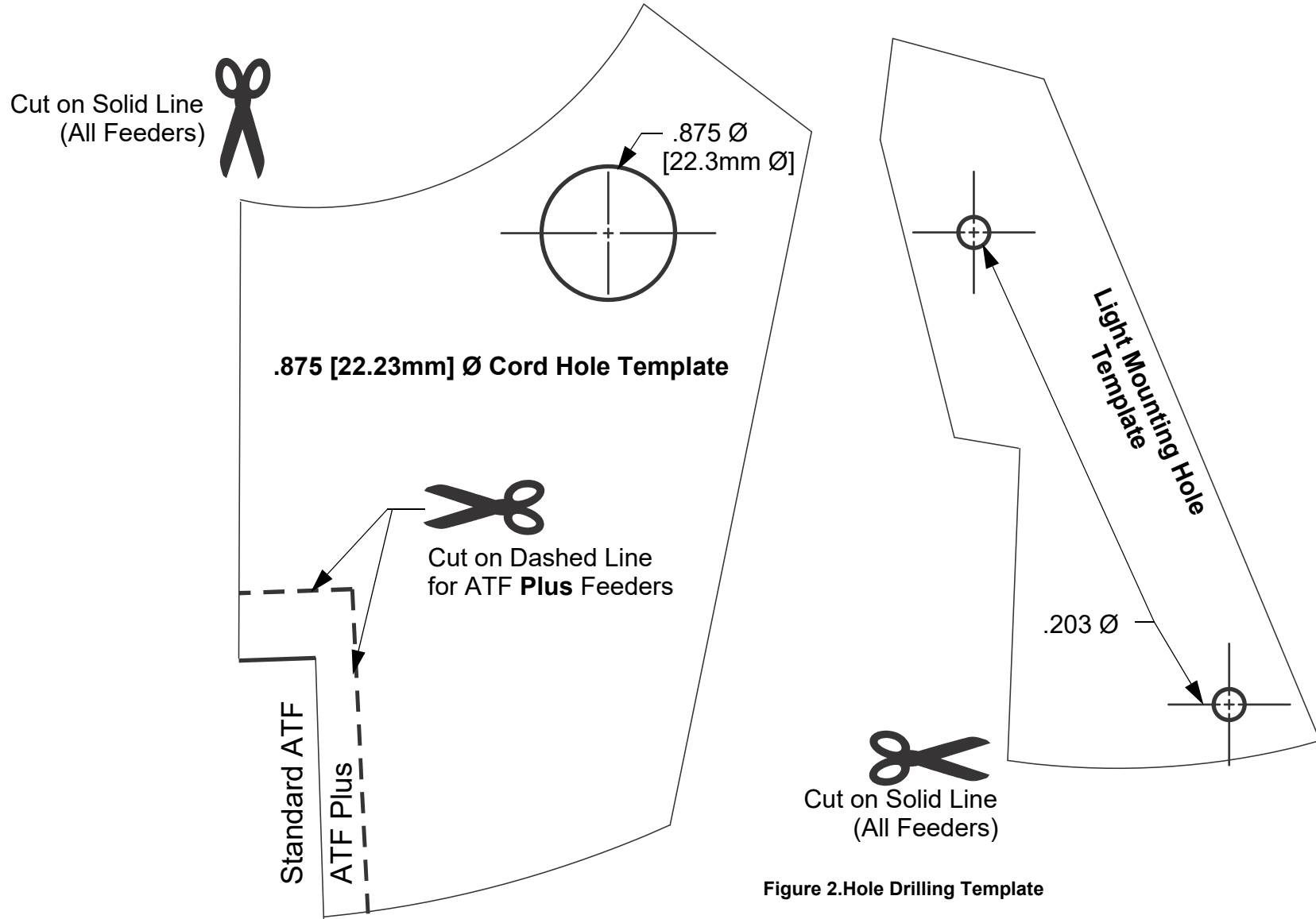


Figure 2. Hole Drilling Template

This page left blank intentionally.....

Drilling Holes in Pan Shield

Cord hole

- 1.Line up the Cord Hole Template you cut out earlier as shown in **Figure 3** below.
- 2.Make sure you have cut the template correctly for your application. (ATF Plus/Standard)
- 3.Use the Template as a guide, and use a Uni-Bit to drill a $.875\text{Ø}$ [22.23mm] hole.

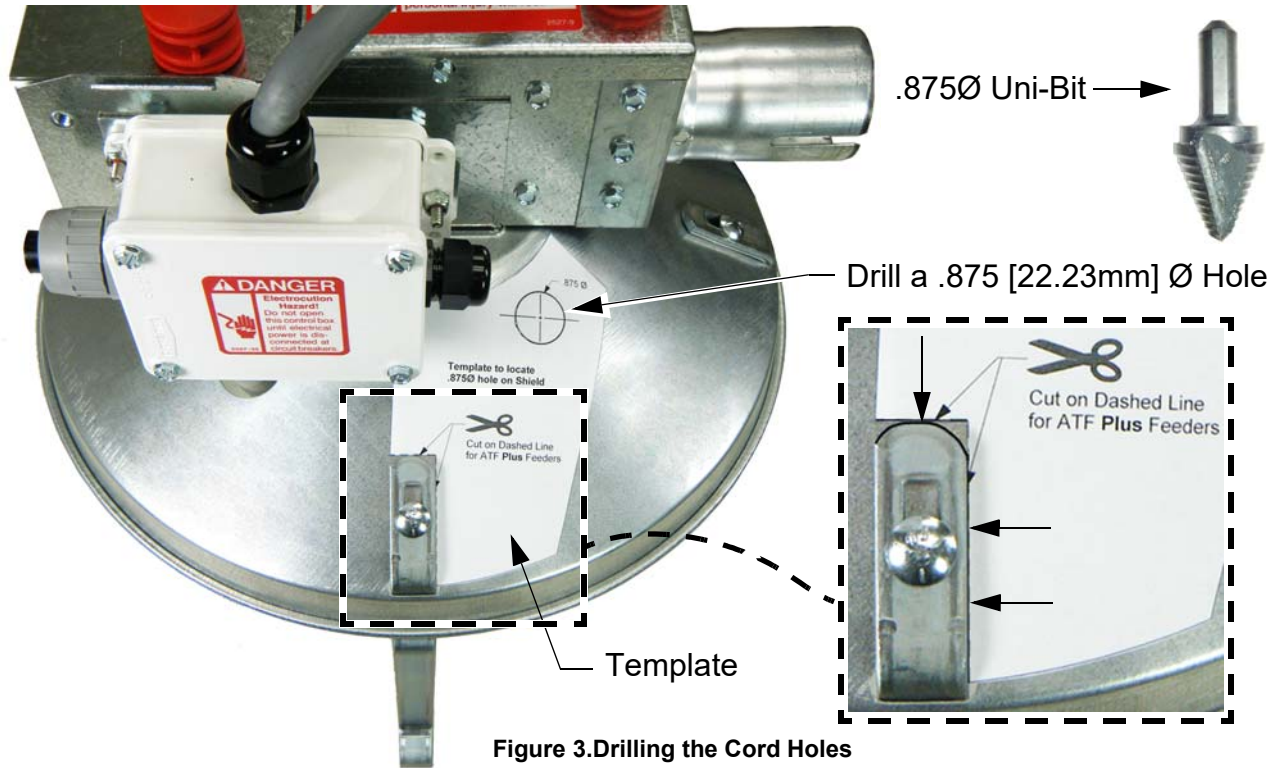


Figure 3. Drilling the Cord Holes

Light Mounting Holes

- 1.Line up the Light Hole Template as shown in **Figure 4** below.
- 2.Use the Template as a guide to drill (2) $.203\text{Ø}$ [5.16mm] holes.

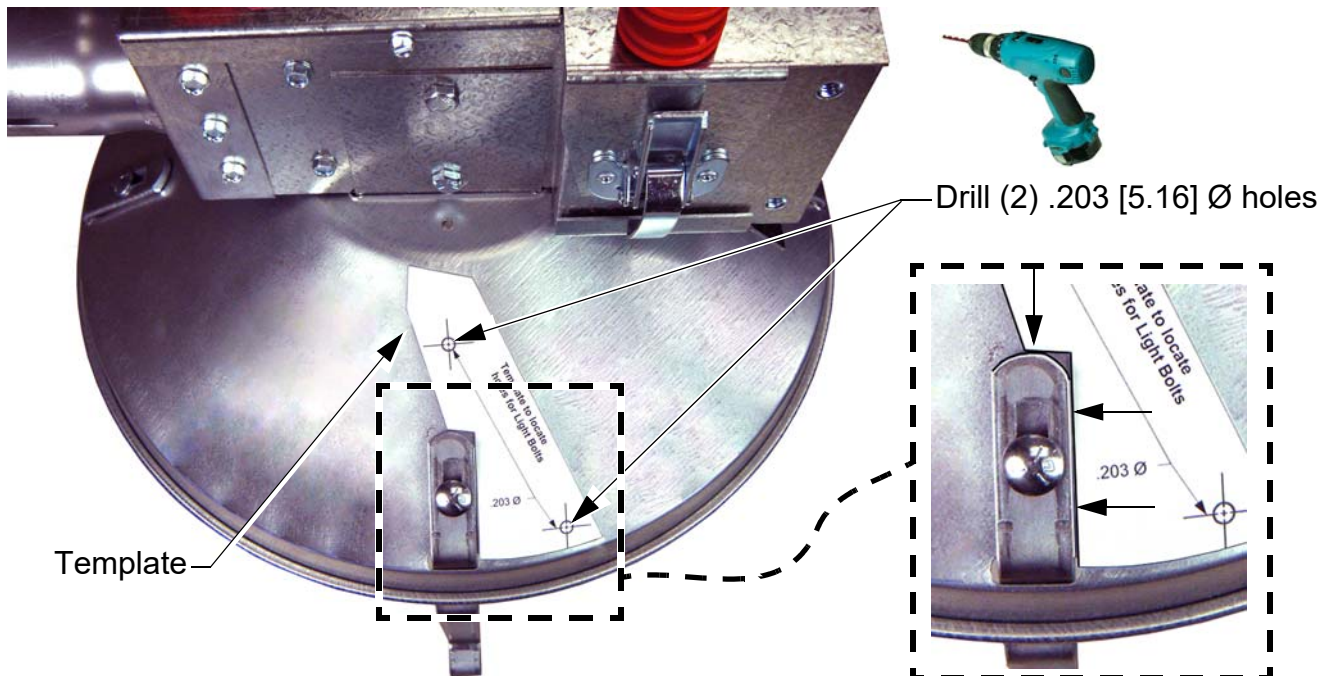


Figure 4. Drilling Light Mounting Holes

Attaching the Light to the Pan & Install Plastic Bushing

1. Snap the Plastic Bushing (3326) into the .875Ø Hole as shown.
2. Attach the Light Assembly to the Shield with (34019) 10-24 Lock Nuts as shown.

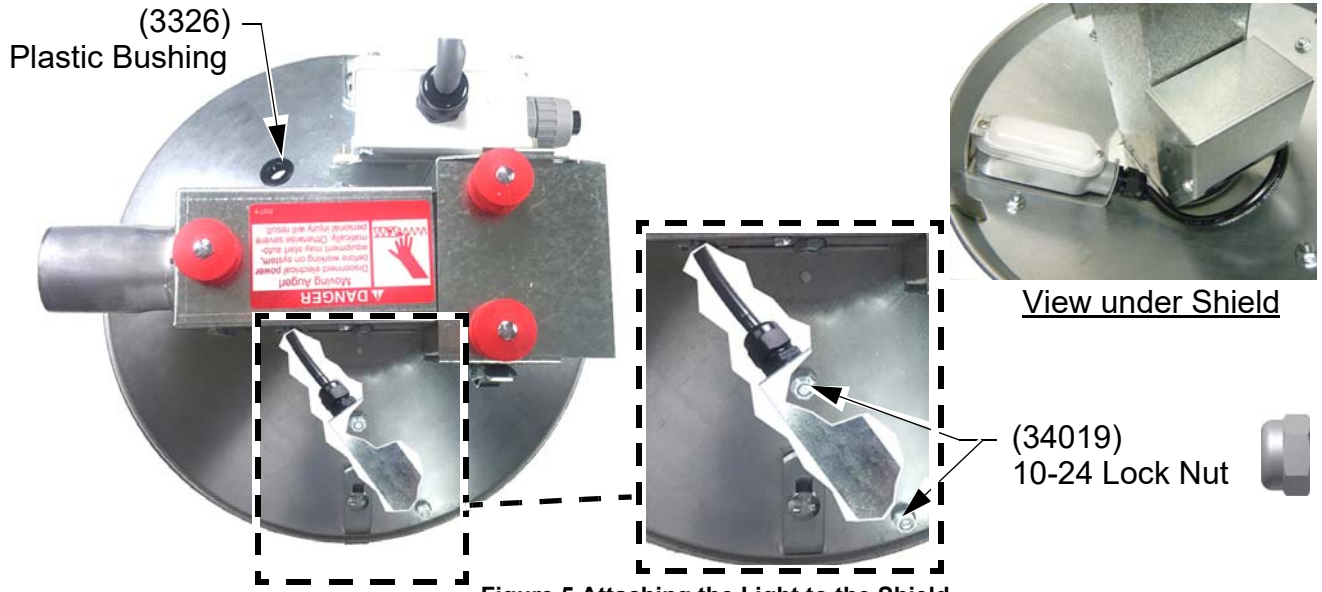


Figure 5. Attaching the Light to the Shield

Drilling Hole in Switch Control Box

1. Use a Uni-Bit to drill a .875Ø [22.23mm] hole in the Switch Box as shown.
1. Install a Water Tight Connector (23779) in the hole.
2. Route the Light wiring (Black Tube) through the Plastic Bushing and through the Water Tight Connector and tighten.

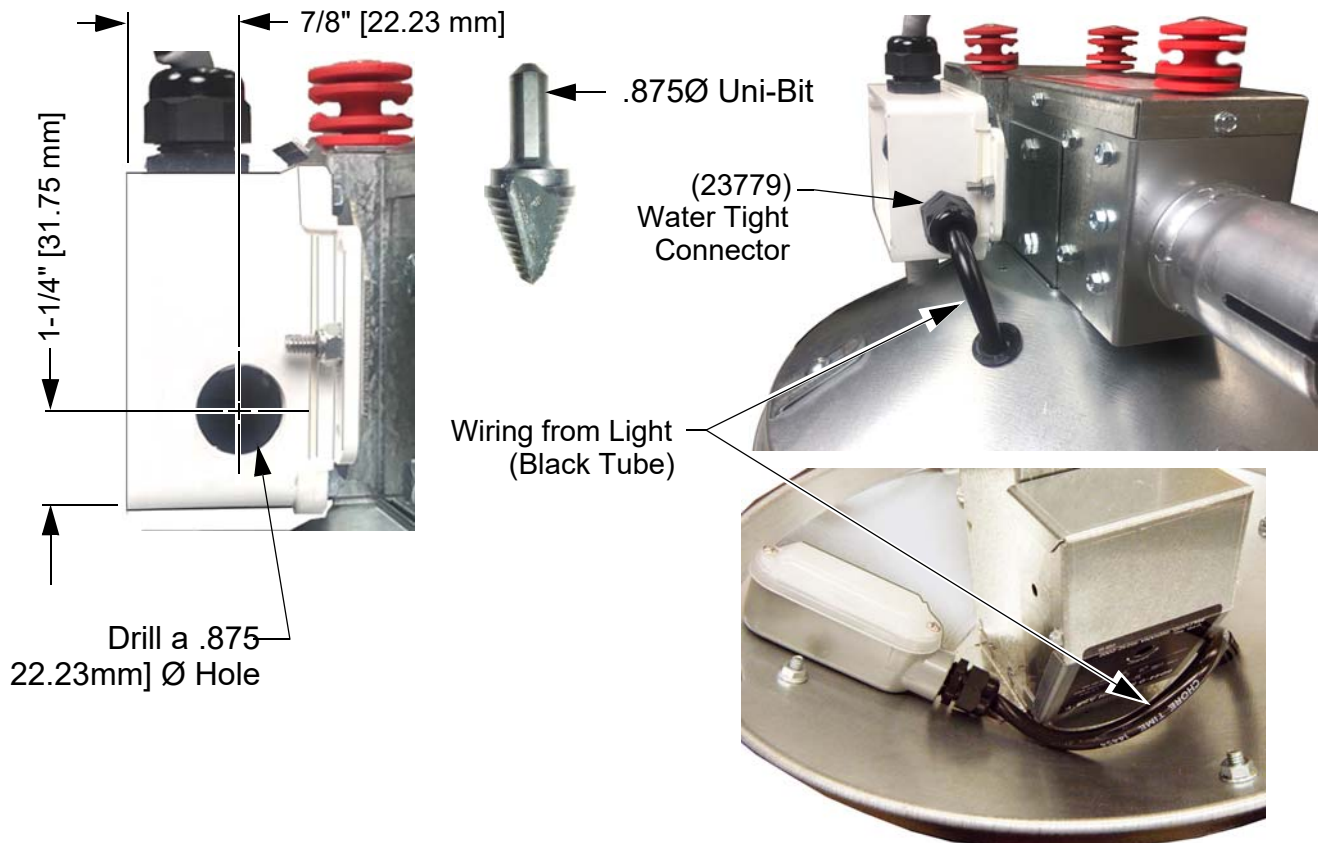


Figure 6. Drilling Hole in Switch Box

Wiring

ATF Pan Light Wiring with Electronic Sensor

DANGER: Electrical Hazard

Disconnect electrical power before inspecting or servicing equipment unless maintenance instructions specifically state otherwise.

Ground all electrical equipment for safety.

All electrical wiring must be done by a qualified electrician in accordance with local and national electric codes.

Ground all non-current carrying metal parts to guard against electrical shock.

Electrical disconnects and over current protection are not supplied with the equipment.

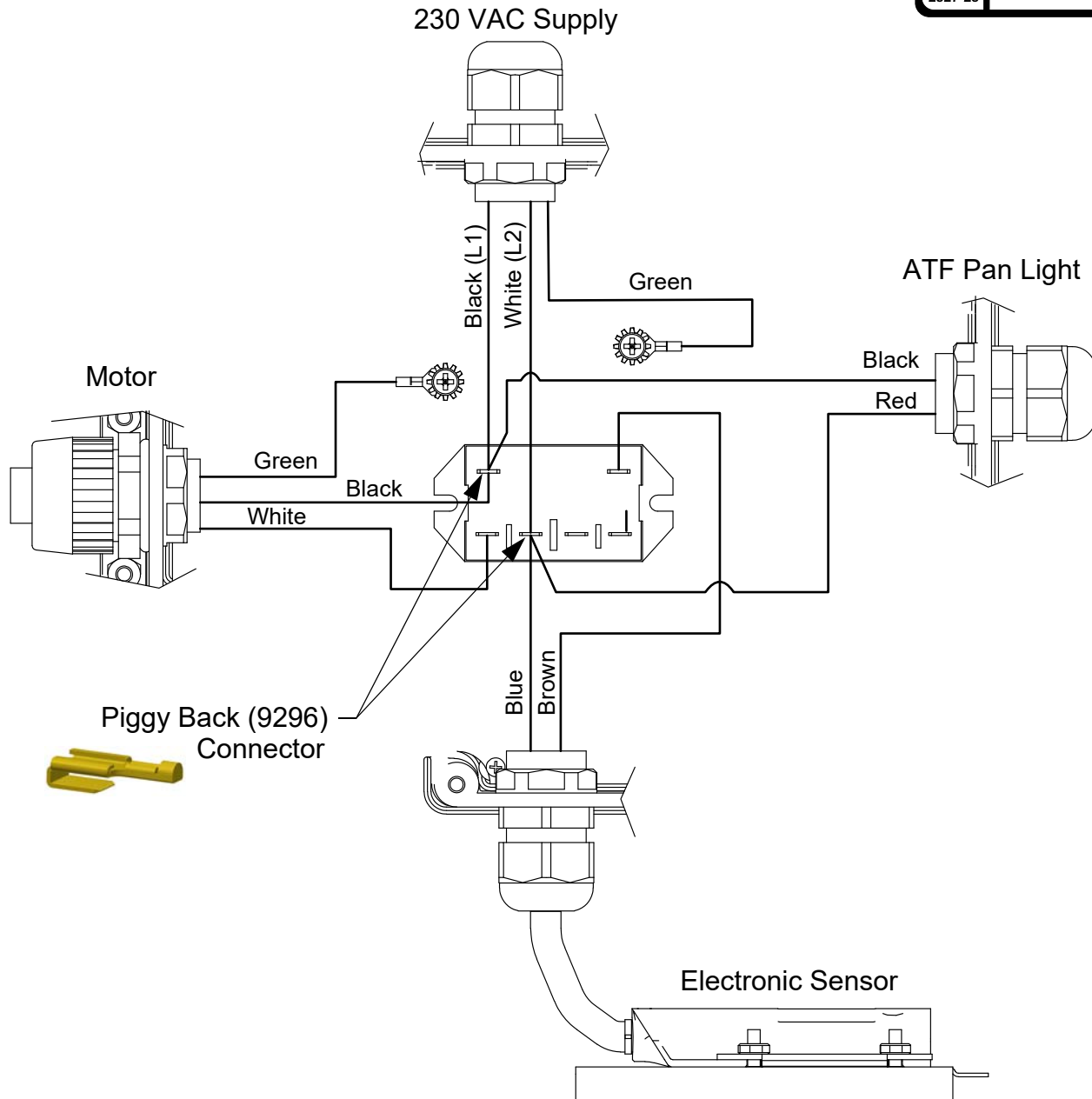


Figure 7. Electronic Sensor Wiring

ATF Pan Light with Mechanical Switch Wiring

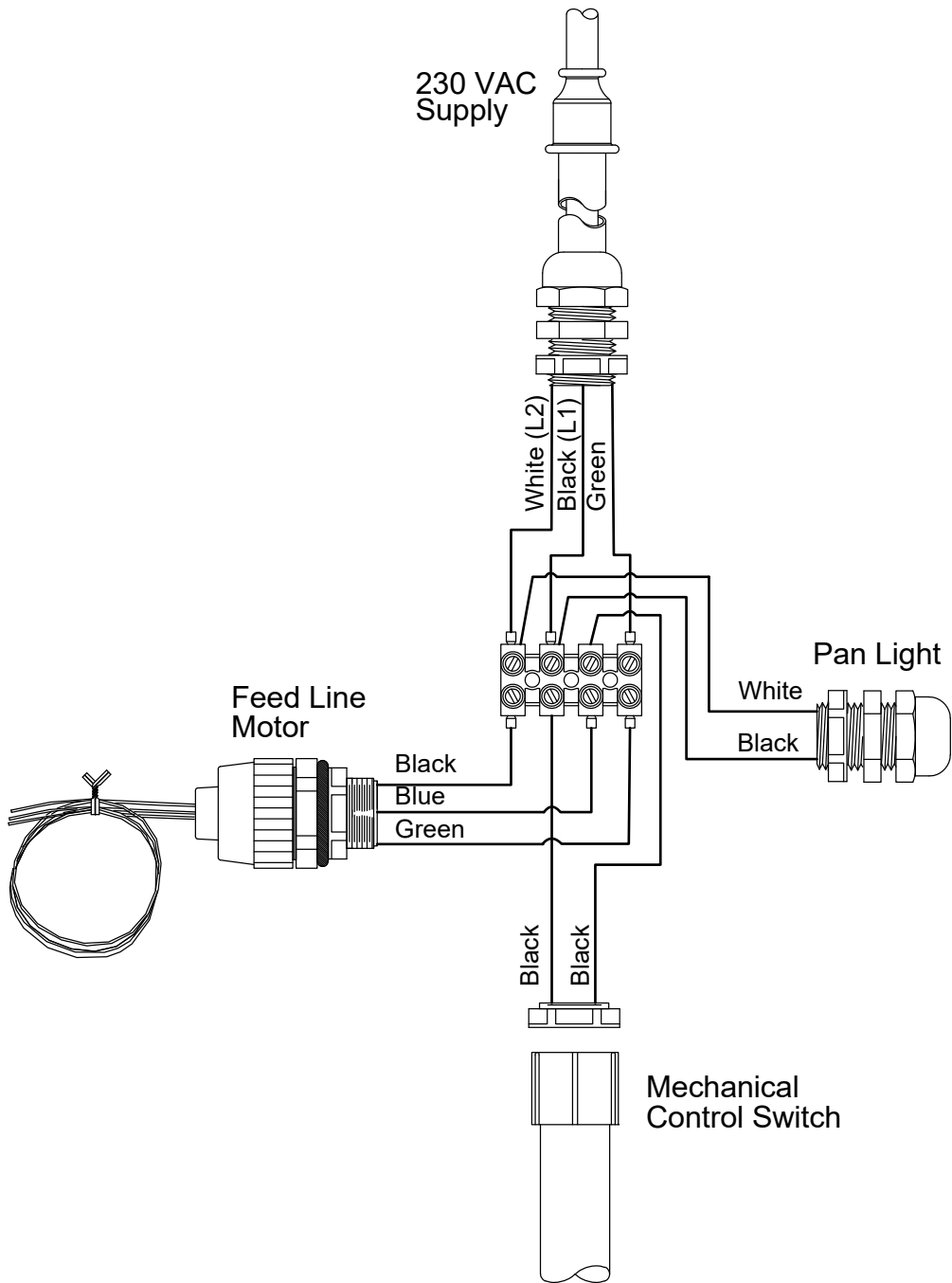
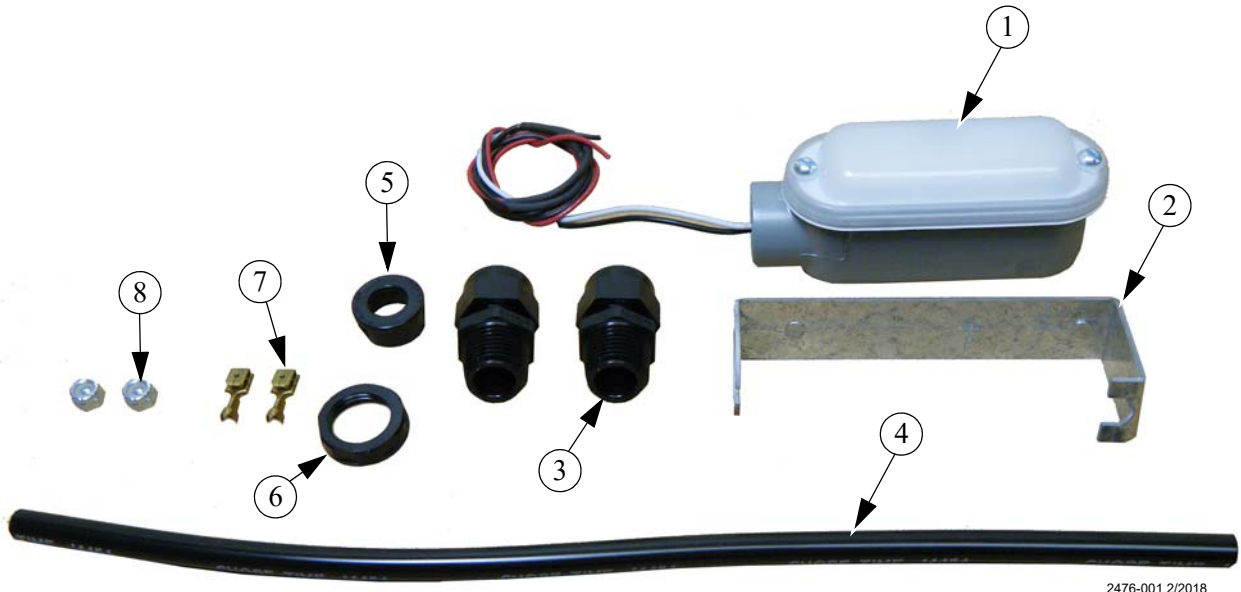


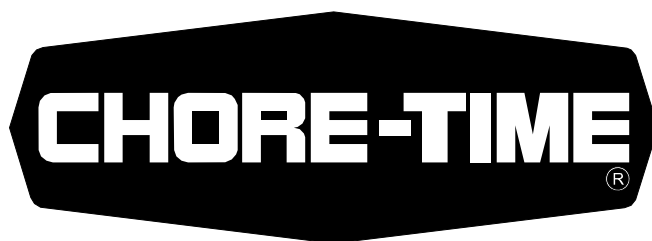
Figure 8.Mechanical Switch Wiring

Parts Listing



2476-001 2/2018

Item	Description	Part No.
1	ATF Pan Light	55494
2	Pan Light Bracket	55497
3	Water Tight Connector	23779
4	10" Black Tube	14454-10
5	.875 Bushing	3326
6	Plastic Nut	43662
7	Piggy Back Connector	9296
8	10-24 Lock Nut	34019



MADE TO WORK.

BUILT TO LAST.®

Revisions to this Manual

Page No.	Description of Change	ECO
	New Manual	33425

Contact your nearby Chore-Time distributor or representative for additional parts and information.

Chore-Time Group
A division of CTB, Inc.
PO Box 2000
Milford, Indiana 46542-2000 USA
Phone (574) 658-4101 Fax (877) 730-8825
E-mail: poultry@choretime.com
Internet: www.choretimepoultry.com