

Valego® RDE-58 with Flat Roof Instruction Manual



Installation and Operators Manual

Installation and Operators Manual

For additional parts and information, contact your nearest Chore-Time distributor or representative.
Find your nearest distributor at: www.choretime.com/contacts

Contents

| Topic | Page |
|--|----------|
| Safety and General Information | 4 |
| Follow Safety Instructions | 4 |
| Decal Descriptions | 4 |
| DANGER: Rotating Parts | 4 |
| DANGER: Electrical Hazard | 4 |
| Planning the System | 5 |
| Section Dimensions and Expulsion Unit Location | 5 |
| Systems 50 Sections or less | 5 |
| Systems longer than 50 Sections | 5 |
| Walkover Sections | 5 |
| Installation | 6 |
| Adjustable Leg Assembly | 6 |
| Framework | 7 |
| Undercarriage (Full Sections) | 7 |
| Undercarriage (Half Sections) | 8 |
| Undercarriage (Expulsion Unit) | 9 |
| Egg Belt Supports | 10 |
| Egg Belt Supports (at Expulsion Units) | 10 |
| Egg Belt Installation | 11 |
| Return Egg Belt | 11 |
| Egg Belt Supports | 11 |
| Egg Belt (Back to Drive Unit) | 12 |
| Egg Belt Divider | 12 |
| Rack Plate Assembly | 13 |
| Pin Locations | 13 |
| Rack Plate/Side Panel Installation | 16 |
| Back Panel Assembly | 17 |
| Back Panel for Full Section Assembly | 17 |
| Back Panel for Half Section Assembly | 18 |
| Rear Panel Installation | 19 |
| Entrance Boards | 20 |
| Draft Board (Optional) | 21 |
| Wire Mesh Nest Floor | 21 |
| Nest Pad Installation | 22 |
| Egg Belt Cover | 22 |
| Expulsion Unit Installation | 23 |
| Connection Plate & Cross Frame Plate | 23 |
| Motor Mounts | 24 |
| Motor Installation | 25 |
| Expulsion Shaft Couplings | 26 |
| Expulsion Shafts | 27 |
| Connection at Expulsion Unit | 27 |
| Expulsion Shafts/Caps | 28 |
| Tightening down Toothed Wheels on Expulsion Shafts | 29 |
| Expulsion Unit Cover | 29 |
| Expulsion Unit Closure | 30 |
| End of the Row (Return End) | 30 |
| End of the Row (Drive Unit End) | 31 |
| Walk Over Section | 31 |
| Extra Leg Assembly at Walkover | 32 |
| | 32 |
| Half Section Walkover | 33 |

Contents - continued

| Topic | Page |
|--|-------------|
| Full Section Walkover | 34 |
| Expeller Installation | 34 |
| Expeller Panel Assembly | 34 |
| Expeller Panel Installation | 35 |
| Multiple Roof Panel Installation | 36 |
| Roof Supports | 37 |
| Roof Panels and Top Caps | 38 |
| Valego® RDE 58 Nest Control (601150) | 39 |
| Parts Numbers | 40 |
| Standard Nest Section Parts | 40 |
| Part Numbers | 41 |
| Expulsion Unit | 42 |
| Part Numbers | 43 |
| Walkover (Full and Half Section). | 44 |

Safety and General Information

Caution, Warning and Danger Decals have been placed on the equipment to warn of potentially dangerous situations. Care should be taken to keep this information intact and easy to read at all times. Replace missing or damaged safety decals immediately.

Safety–Alert Symbol



This is a safety–alert symbol. When you see this symbol on your equipment, be alert to the potential for personal injury. This equipment is designed to be installed and operated as safely as possible...however, hazards do exist.

Understanding Signal Words

Signal words are used in conjunction with the safety–alert symbol to identify the severity of the warning.



DANGER indicates an imminently hazardous situation which, if not avoided, **WILL** result in death or serious injury.



WARNING indicates a potentially hazardous situation which, if not avoided, **COULD** result in death or serious injury.



CAUTION indicates a hazardous situation which, if not avoided, **MAY** result in minor or moderate injury.

Follow Safety Instructions

Carefully read all safety messages in this manual and on your equipment safety signs. Follow recommended precautions and safe operating practices.

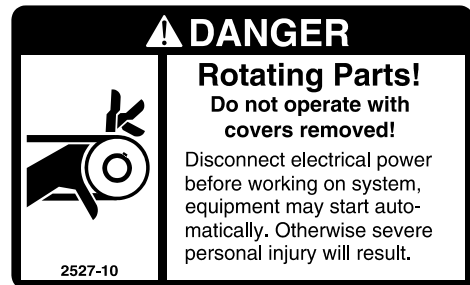
Keep safety signs in good condition. Replace missing or damaged safety signs.

Decal Descriptions

DANGER: Rotating Parts

Disconnect electrical power before working on system, equipment may start automatically. Otherwise personal injury will result.

Severe personal injury will result if the equipment is operated without covers properly installed.



DANGER: Electrical Hazard

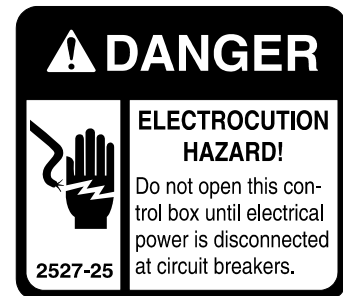
Disconnect electrical power before inspecting or servicing equipment unless maintenance instructions specifically state otherwise.

Ground all electrical equipment for safety.

All electrical wiring must be done by a qualified electrician in accordance with local and national electric codes.

Ground all non-current carrying metal parts to guard against electrical shock.

Electrical disconnects and over current protection are not supplied with the equipment.



Planning the System

Section Dimensions and Expulsion Unit Location

Dimensions for each Section and for Expulsion Units shown below.

Systems 50 Sections or less

If the number of sections in the house are 50 Sections or less; only one Expulsion Unit is required and is centered as shown in Figure 1.

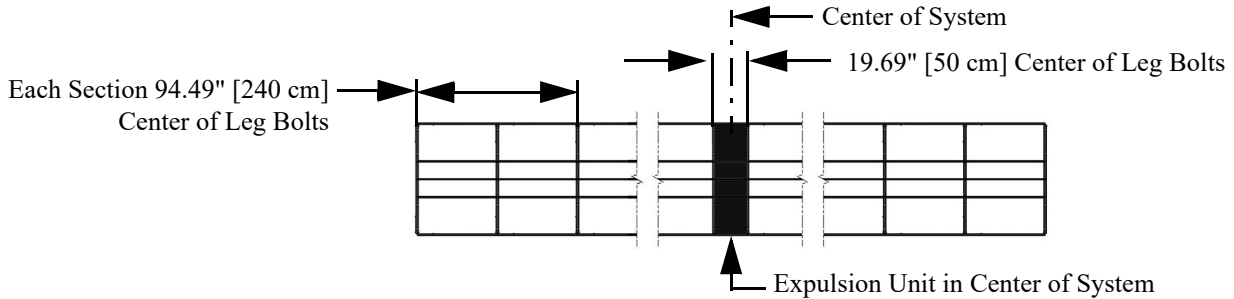


Figure 1. Systems less than 50 sections long

Systems longer than 50 Sections

If the number of sections in the house are more than 50; two Expulsion Units are required and it is recommended to be spaced as shown in Figure 2.

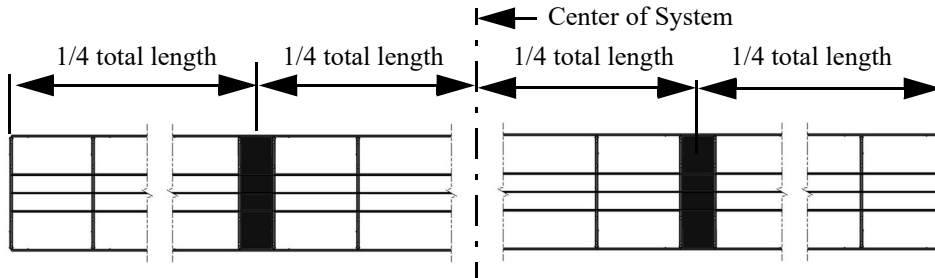


Figure 2. Systems 50 Sections and longer

Walkover Sections

A Walkover may be desired for long Spans to allow passage back and forth. If using two Expulsion units Chore-Time recommends centering the Walkover between Expulsion Units so there will not be any Expulsion Tubes to walk over. (See below). A half Section Walkover is also available. See "Walk Over Section" on page 31

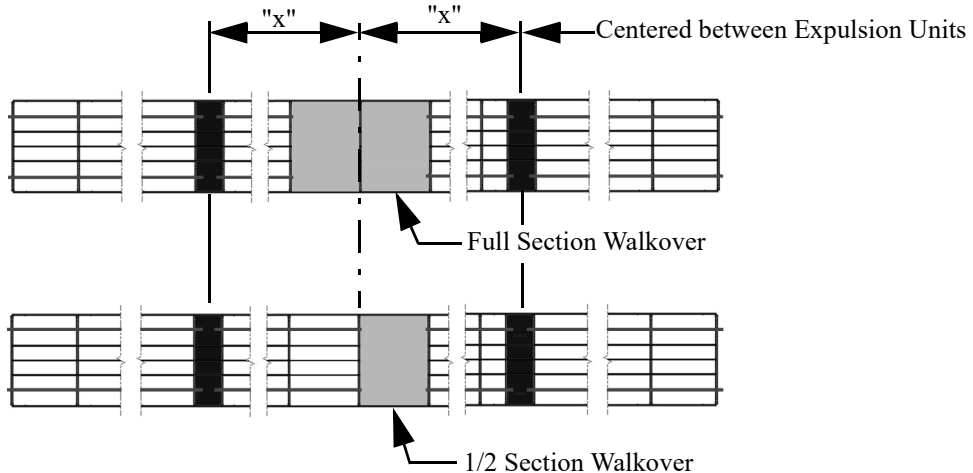
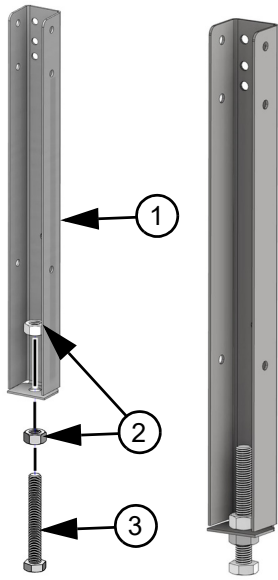


Figure 3. Walkover Sections

Installation

Adjustable Leg Assembly

1. Assemble the Legs as shown.



| Item | Description | Part No. |
|------|-------------------------|----------|
| 1 | Valego SS Leg 390 mm | 600103 |
| | Valego SS Leg 440 mm | 600104 |
| | Valego SS Leg 490 mm | 600105 |
| | Valego SS Leg 540 mm | 600106 |
| | Valego SS Leg 590 mm | 600107 |
| | Valego SS Leg 640 mm | 600108 |
| | Valego SS Leg 690 mm | 600109 |
| | Valego SS Leg 740 mm | 600110 |
| | Valego SS Leg 790 mm | 600111 |
| 2 | M12 DIN934 SS Nut | 201055 |
| 3 | M12 x 90 SS DIN933 Bolt | 201054 |

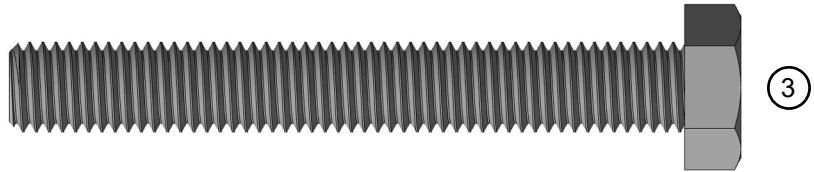
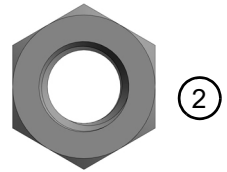
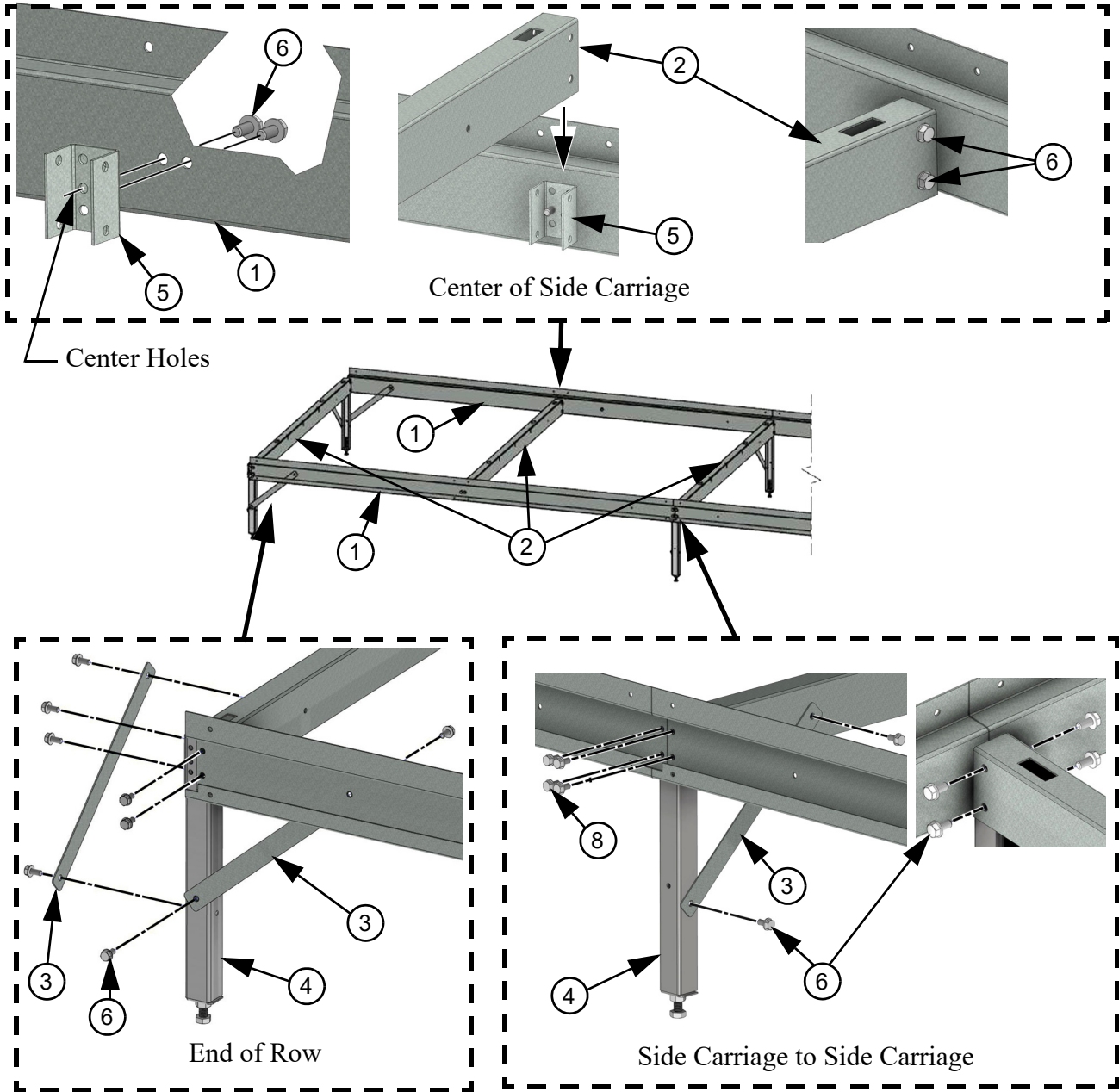


Figure 4. Adjustable Leg Assembly

Framework

Undercarriage (Full Sections)

1. At the end of the Framework, Fasten Leg Assemblies (**Item 4**) to a Cross Carriage (**Item 2**) and Side Carriages (**Item 1**) with two Strut Strips (**Item 3**) using M8 Taptites (**Item 6**) as shown.
2. Install Leg Assemblies (**Item 4**) with one Strut Strip (**Item 3**) where Side Carriages (**Item 1**) fasten together.
3. Fasten Cross Carriage Brackets (**Item 5**) to the Center of each Side Carriage (**Item 1**) with M8 x 16 Taptites (**Item 6**), and then Fasten Cross Carriages to them as shown.
4. **Important!** Make sure that Undercarriage is **square and level** before continuing with system.



| Item | Description | Part No. |
|------|------------------------------|----------|
| 1 | Side Carriage (2400mm) | 600262 |
| 2 | RDE-58 Cross Carriage | 600236 |
| 3 | Strut Strip | 600734 |
| 4 | Leg Assembly (previous page) | -- |
| 5 | Cross Carriage Bracket | 600739 |
| 6 | M8 x 16 Taptite | 201047 |

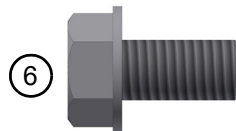
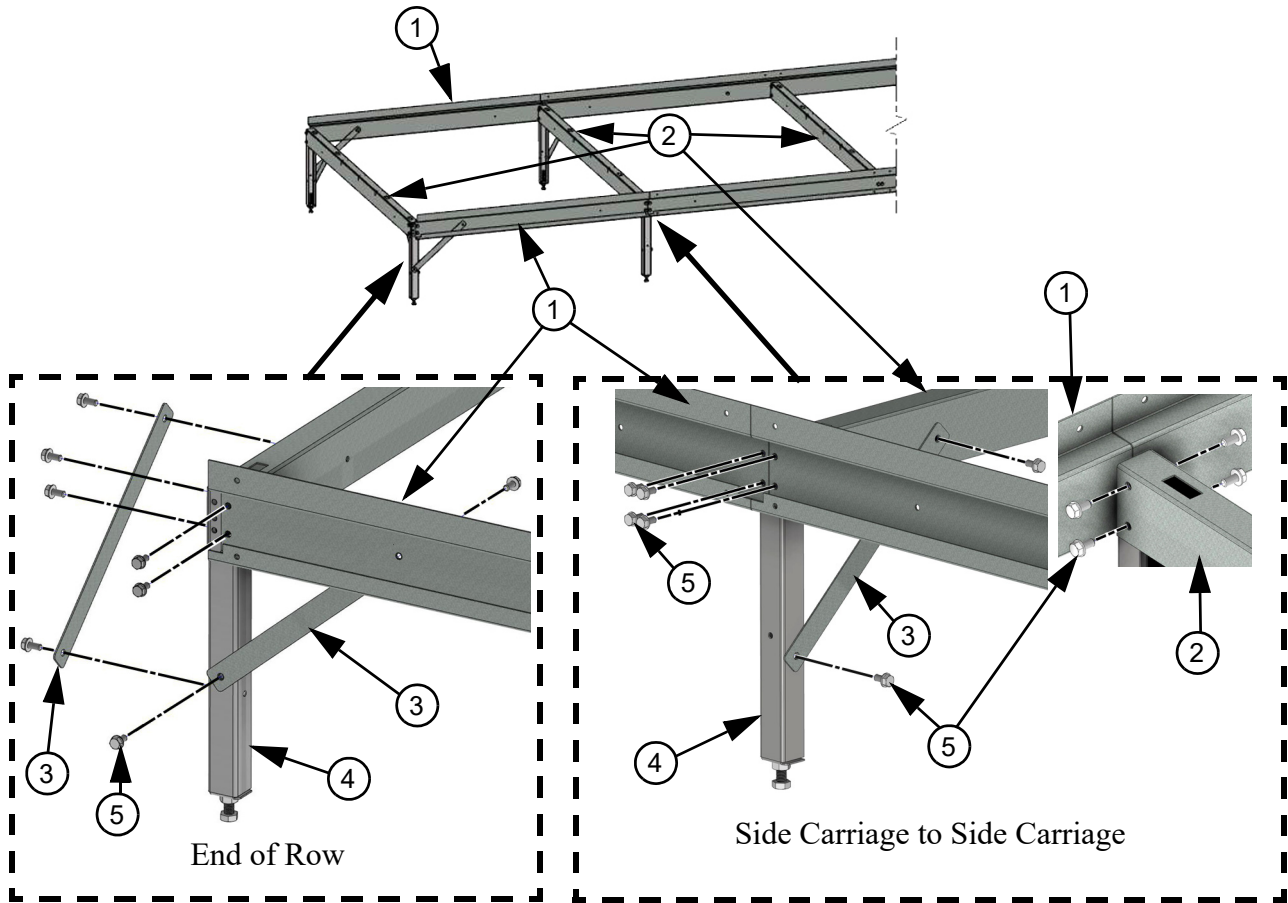


Figure 5. Undercarriage Full Section

Undercarriage (Half Sections)

1. At the end of Rows, Fasten Leg Assemblies (Item 4) to a Cross Carriage (Item 2) and Side Carriages (Item 1) using two Strut Strips (Item 3) as shown.
2. Install Leg Assemblies (Item 4) and one Strut Strip (Item 3) where Side Carriages (Item 1) fasten together.
3. **Important!** Make sure that Undercarriage is **square and level** before continuing with system.



| Item | Description | Part No. |
|------|------------------------------|----------|
| 1 | Side Carriage (1200mm) | 600263 |
| 2 | RDE-58 Cross Carriage | 600236 |
| 3 | Strut Strip | 600734 |
| 4 | Leg Assembly (previous page) | -- |
| 5 | M8 x 16 Taptite | 201047 |

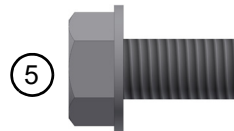
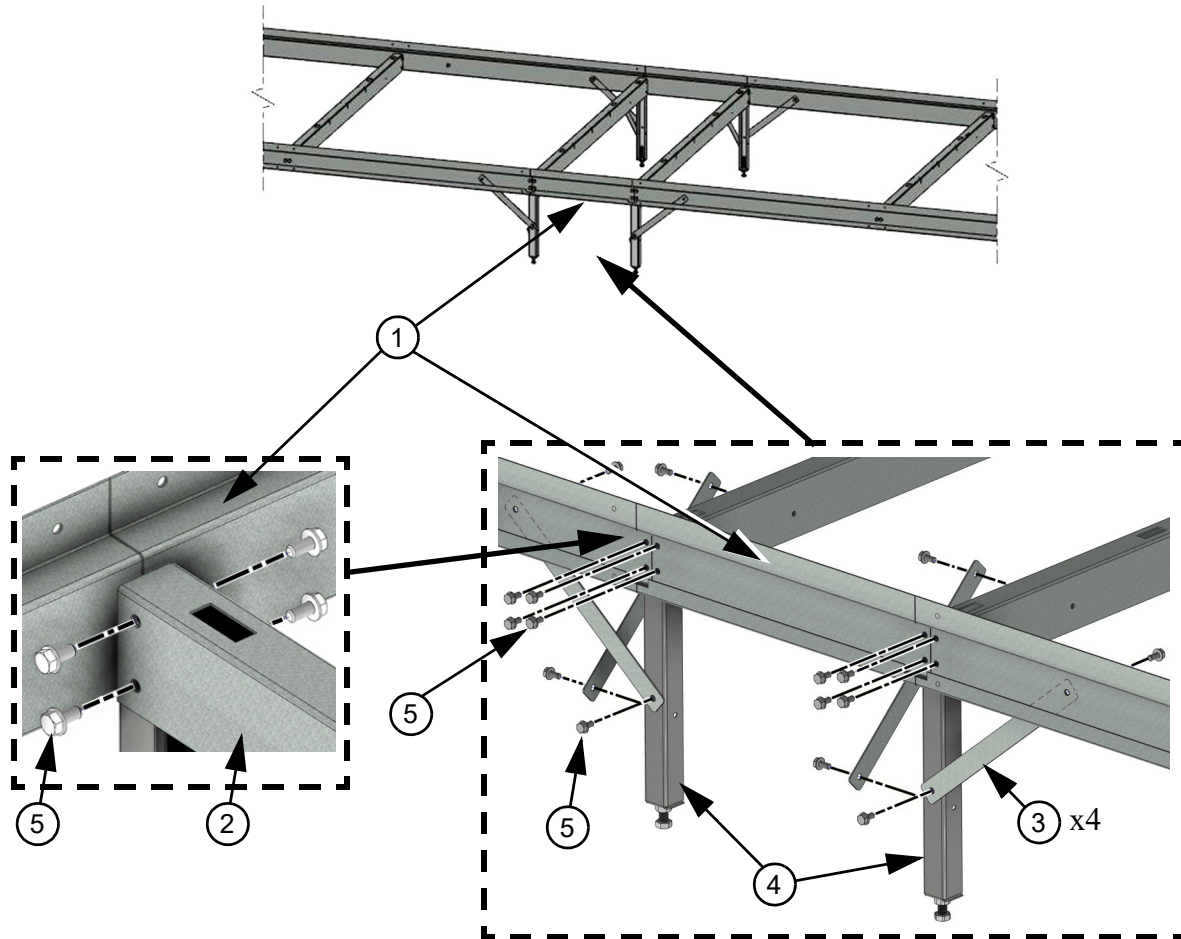


Figure 6. Undercarriage (Half Section)

Undercarriage (Expulsion Unit)

1. Fasten Leg Assemblies (Item 4) to Side Carriages (Item 2) with M8 Taptites as shown.
2. Fasten Cross Carriages (Item 2) to the Legs (Item 4) with M8 Taptites (Item 5).
3. Install two Strut Strips (Item 3) per Leg Assembly as shown.
4. **Important!** Make sure that Undercarriage is square and level before continuing with system.



| Item | Description | Part No. |
|------|------------------------------|----------|
| 1 | Side Carriage (500mm) | 600265 |
| 2 | RDE-58 Cross Carriage | 600236 |
| 3 | Strut Strip | 600734 |
| 4 | Leg Assembly (previous page) | -- |
| 5 | M8 x 16 Taptite | 201047 |

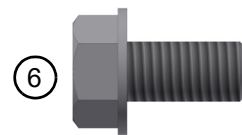
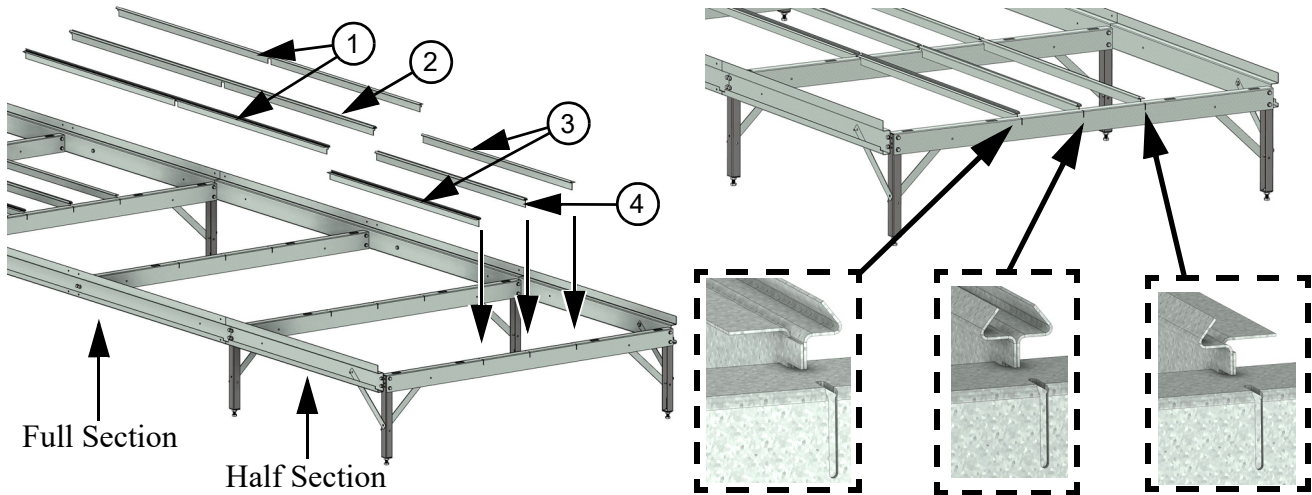


Figure 7. Undercarriage (Expulsion Unit)

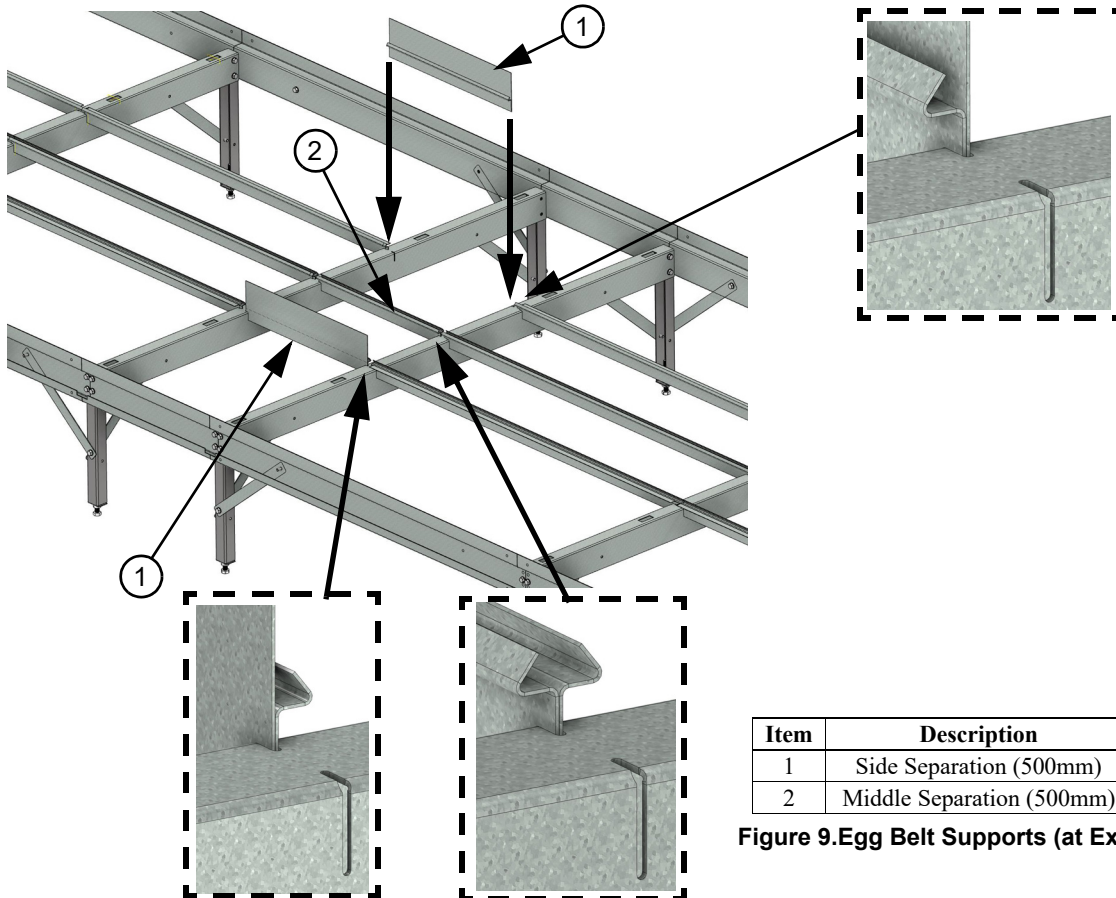
Egg Belt Supports



| Item | Description | Part No. |
|------|---|----------|
| 1 | Full Section Side Separation (2400mm) | 600266 |
| 2 | Full Section Middle Separation (2400mm) | 600268 |
| 3 | Half Section Side Separation (1200mm) | 600267 |
| 4 | Half Section Middle Separation (1200mm) | 600269 |

Figure 8.Egg Belt Supports

Egg Belt Supports (at Expulsion Units)



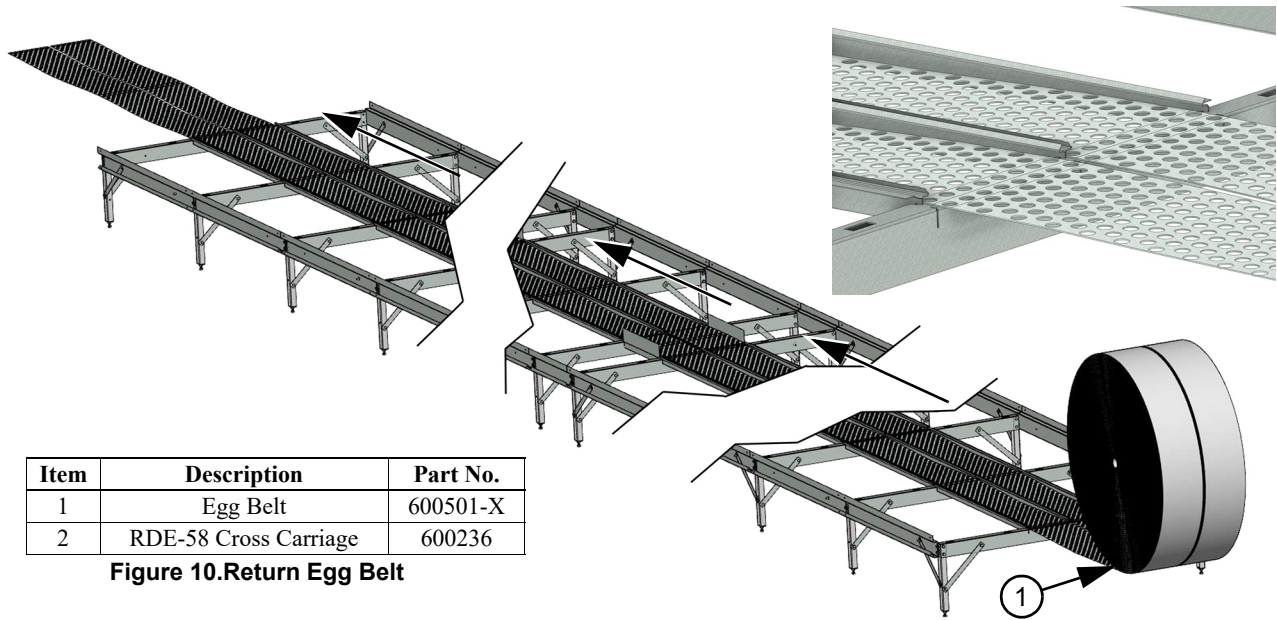
| Item | Description | Part No. |
|------|---------------------------|----------|
| 1 | Side Separation (500mm) | 600276 |
| 2 | Middle Separation (500mm) | 600277 |

Figure 9.Egg Belt Supports (at Expulsion Units)

Egg Belt Installation

Return Egg Belt

1. Install the Egg Belt Drive Unit and Egg Belt Return Unit.
2. Start with the Egg Belt Rolls (**Item 1**) at the Belt Drive end and lay them on the Cross Carriages (**Item 2**).

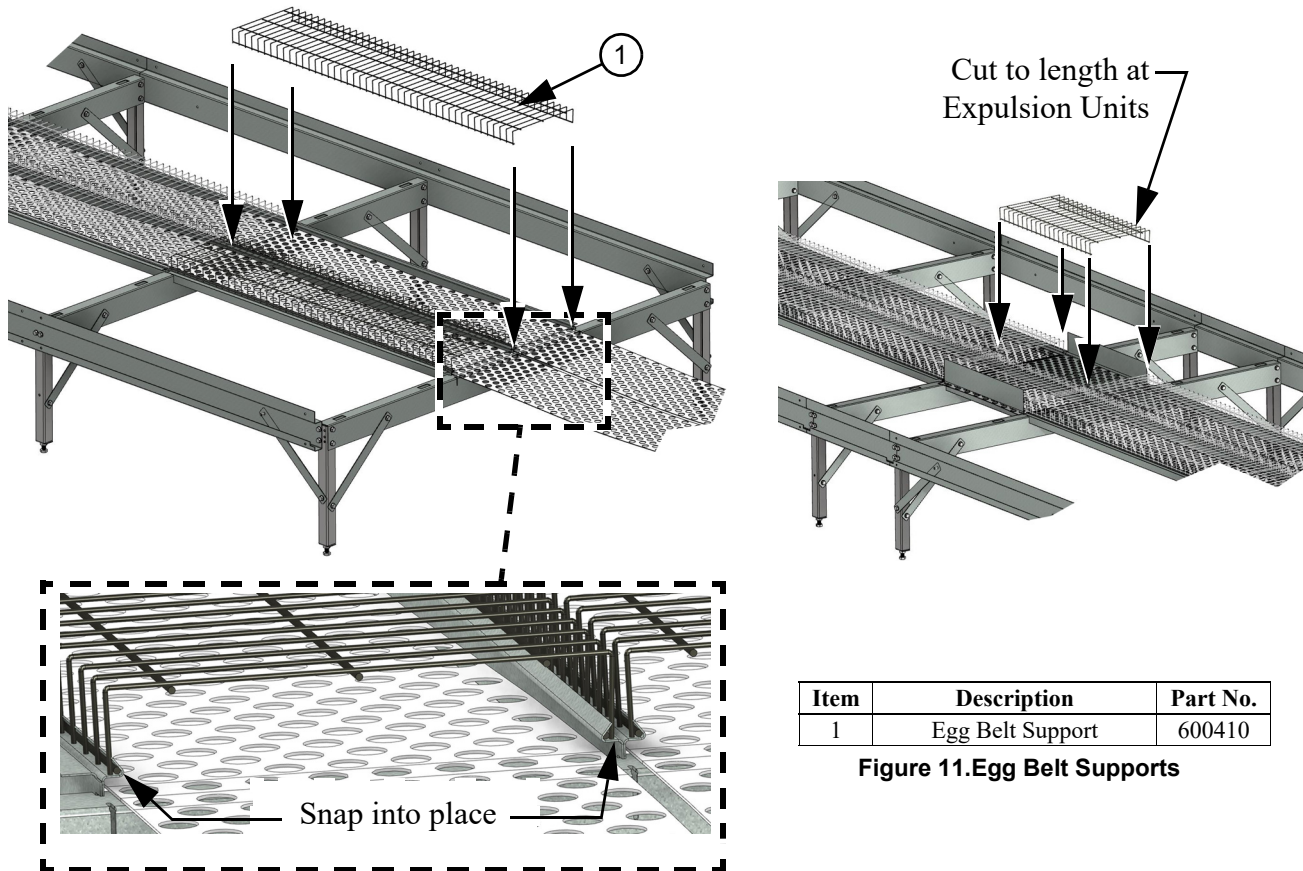


| Item | Description | Part No. |
|------|-----------------------|----------|
| 1 | Egg Belt | 600501-X |
| 2 | RDE-58 Cross Carriage | 600236 |

Figure 10. Return Egg Belt

Egg Belt Supports

1. Press the Egg Belt Supports into the Side and Middle Separators as shown.
2. Cut the Egg Belt Supports as needed at Expulsion Units as shown.



| Item | Description | Part No. |
|------|------------------|----------|
| 1 | Egg Belt Support | 600410 |

Figure 11. Egg Belt Supports

Egg Belt (Back to Drive Unit)

1. Feed the Egg Belt through the Return Unit (Not Shown) and pull the Belt back to the Drive Unit end laying it on top of the Egg Belt Supports.

Lay Egg Belt on top of Egg Belt Supports and route back to Drive Unit.

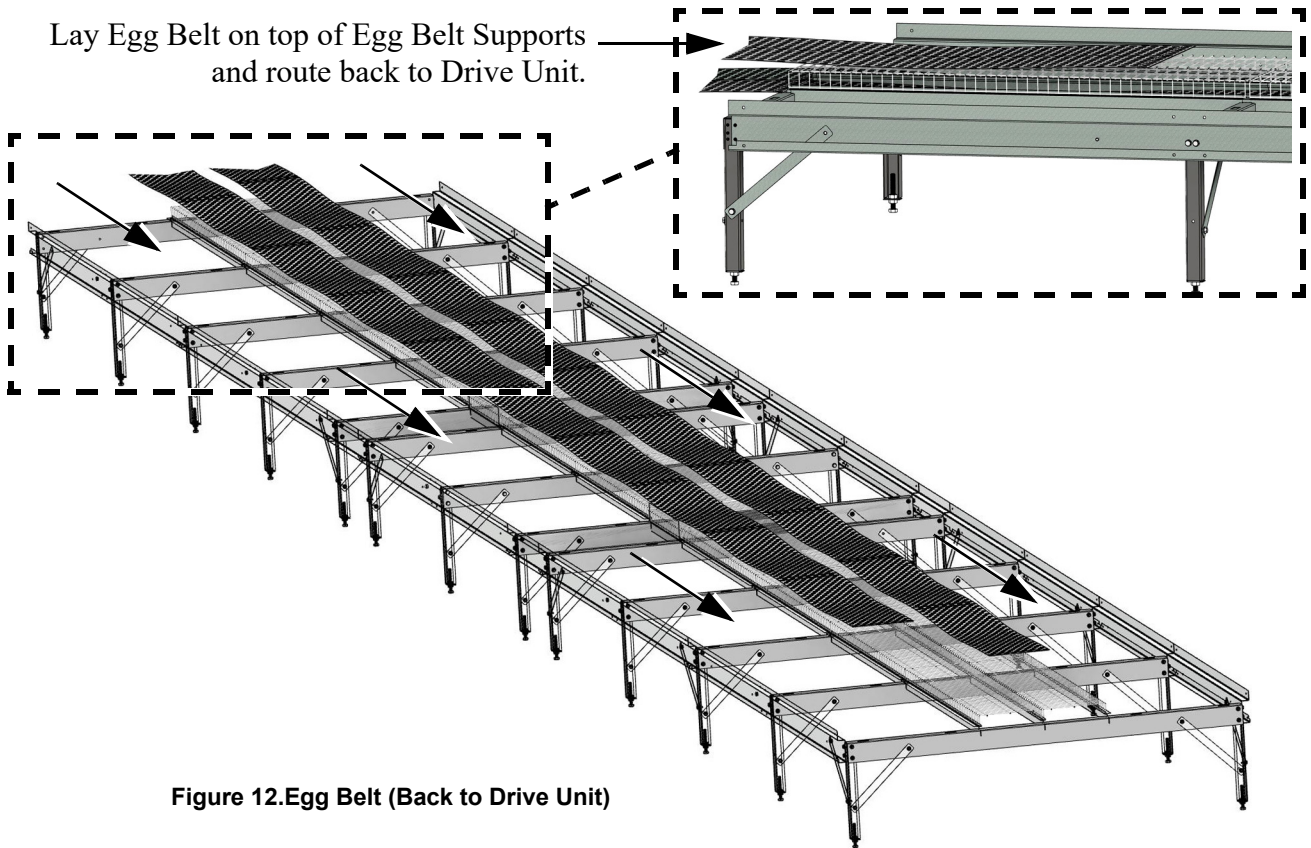
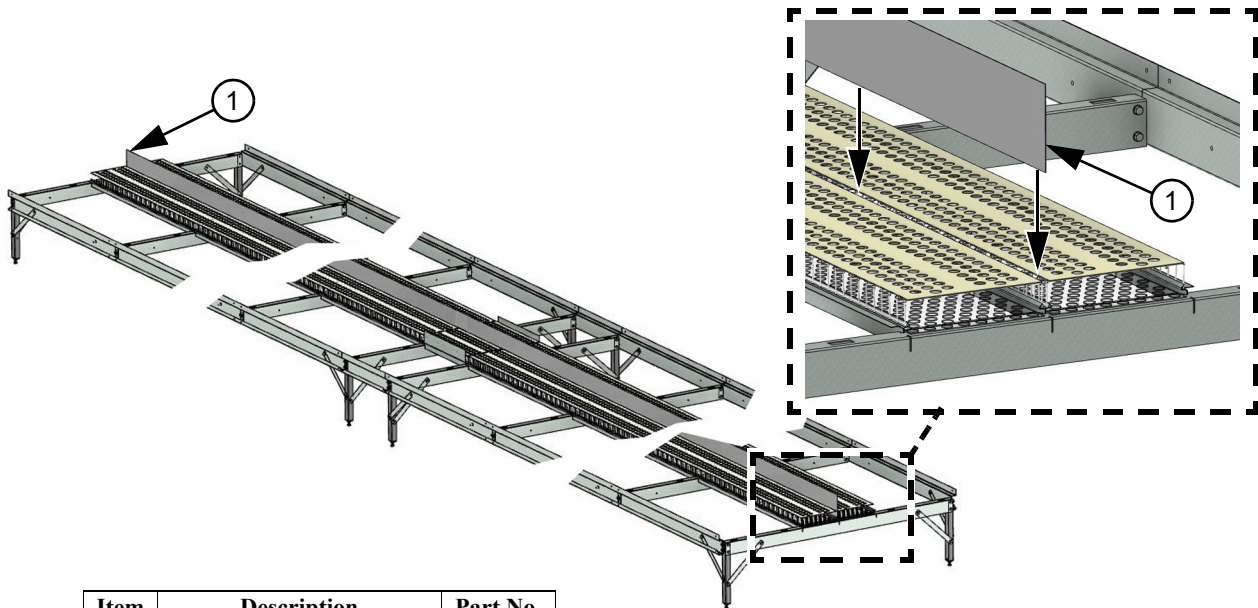


Figure 12. Egg Belt (Back to Drive Unit)

Egg Belt Divider

1. Install Egg Belt Divider (Item 1) between the Egg Belt Supports as shown.



| Item | Description | Part No. |
|------|------------------|----------|
| 1 | Egg Belt Divider | 600652 |

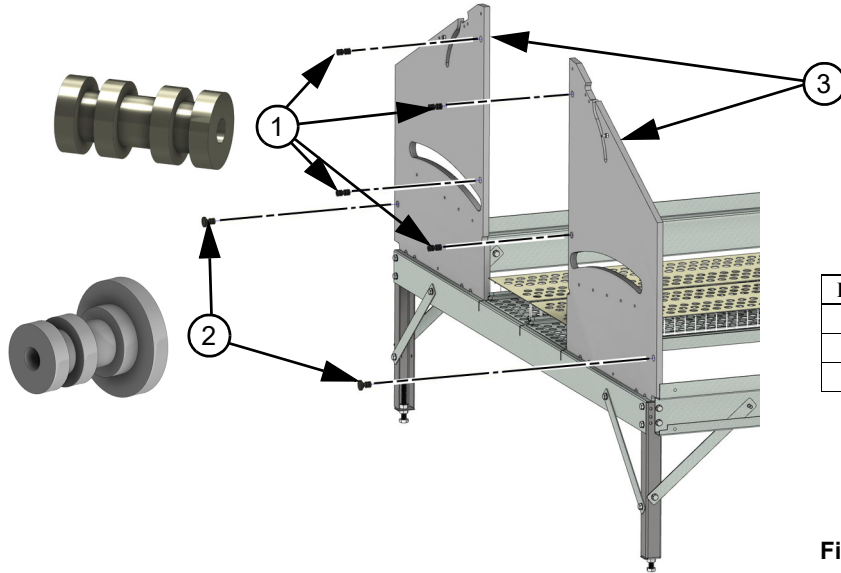
Figure 13. Egg Belt Divider

Rack Plate Assembly

Pin Locations

Pins at End of System

1. Install 15mm End Pins (**Item 1**) and 15mm Connecting Pins (**Item 2**) in the Side Panels (**Item 3**) at the Ends of the Nest System.



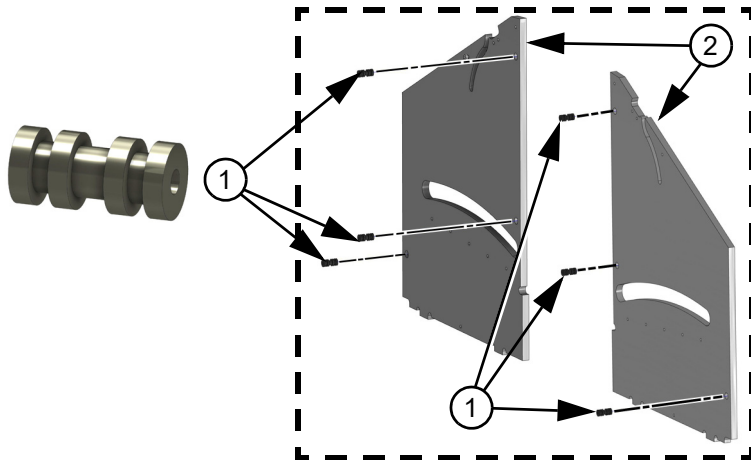
| Item | Description | Part No. |
|------|---------------------|----------|
| 1 | 15mm End Pin | 600737 |
| 2 | 15mm Connecting Pin | 600732 |
| 3 | Side Panel | 600334 |

Figure 14. Rack Plate Installation

Pins in Standard Side Panels

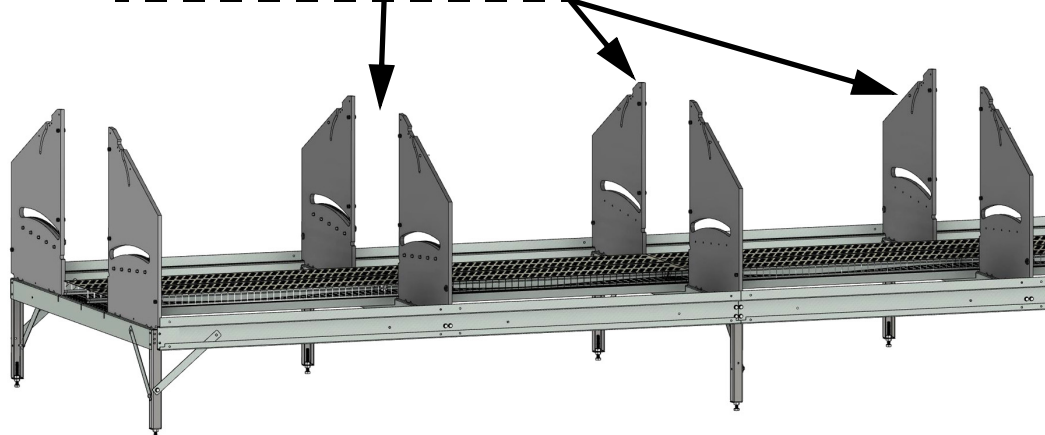
1. Install 15mm Connecting Pins (**Item 1**) in all Standard* Side Panels (**Item 2**).

*Standard Side Panels are all Panels that are not at End of Nest System, at Expulsion Units, or Walkovers.



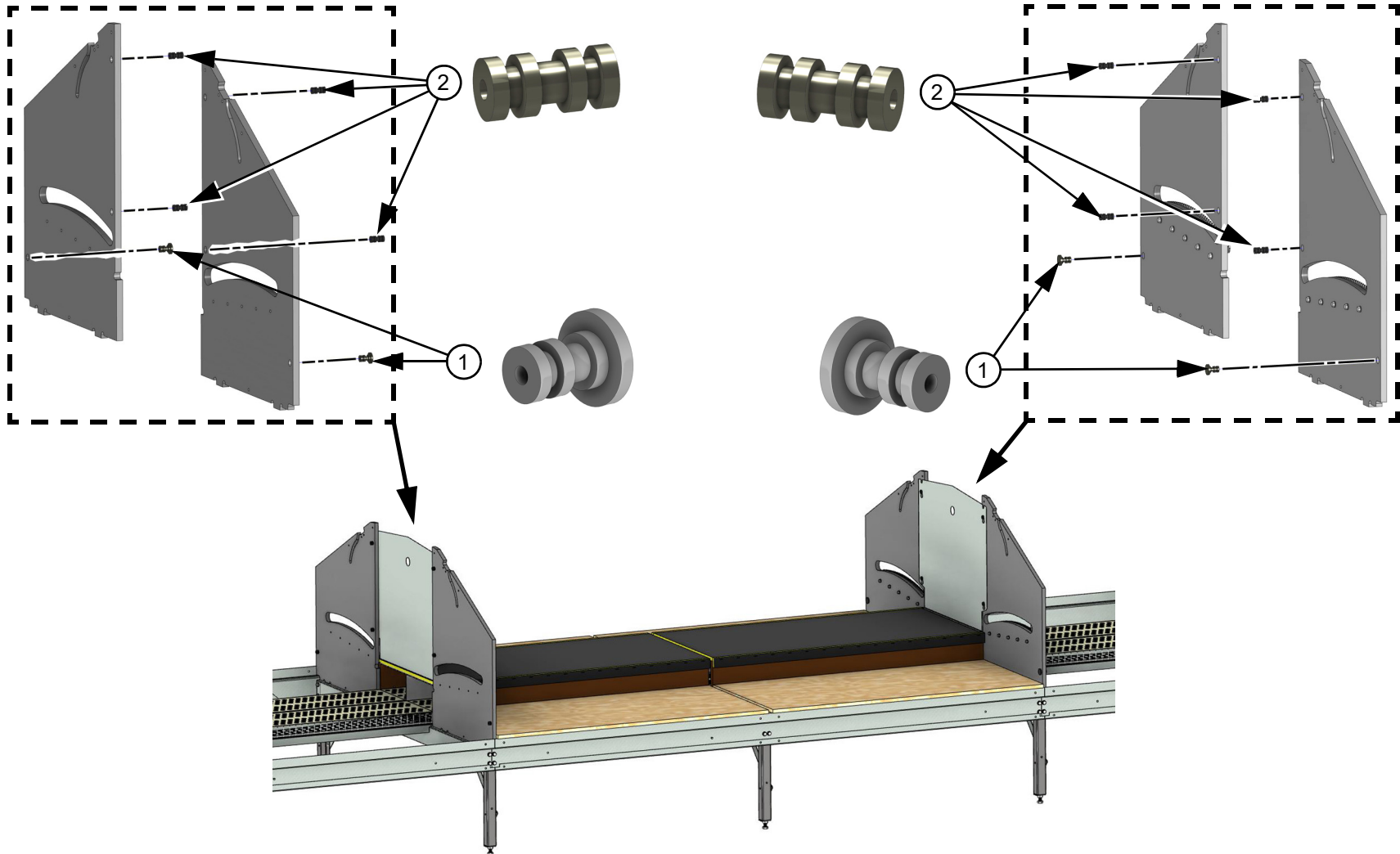
| Item | Description | Part No. |
|------|---------------------|----------|
| 1 | 15mm Connecting Pin | 600732 |
| 2 | Side Panel | 600334 |

Figure 15. Pins in Standard Side Panels



Pins at Walkover Sections

1. Install 15mm End Pins (**Item 1**) and 15mm Connecting Pins (**Item 2**) in Side Panels (**Item 3**) at Walkovers as shown.

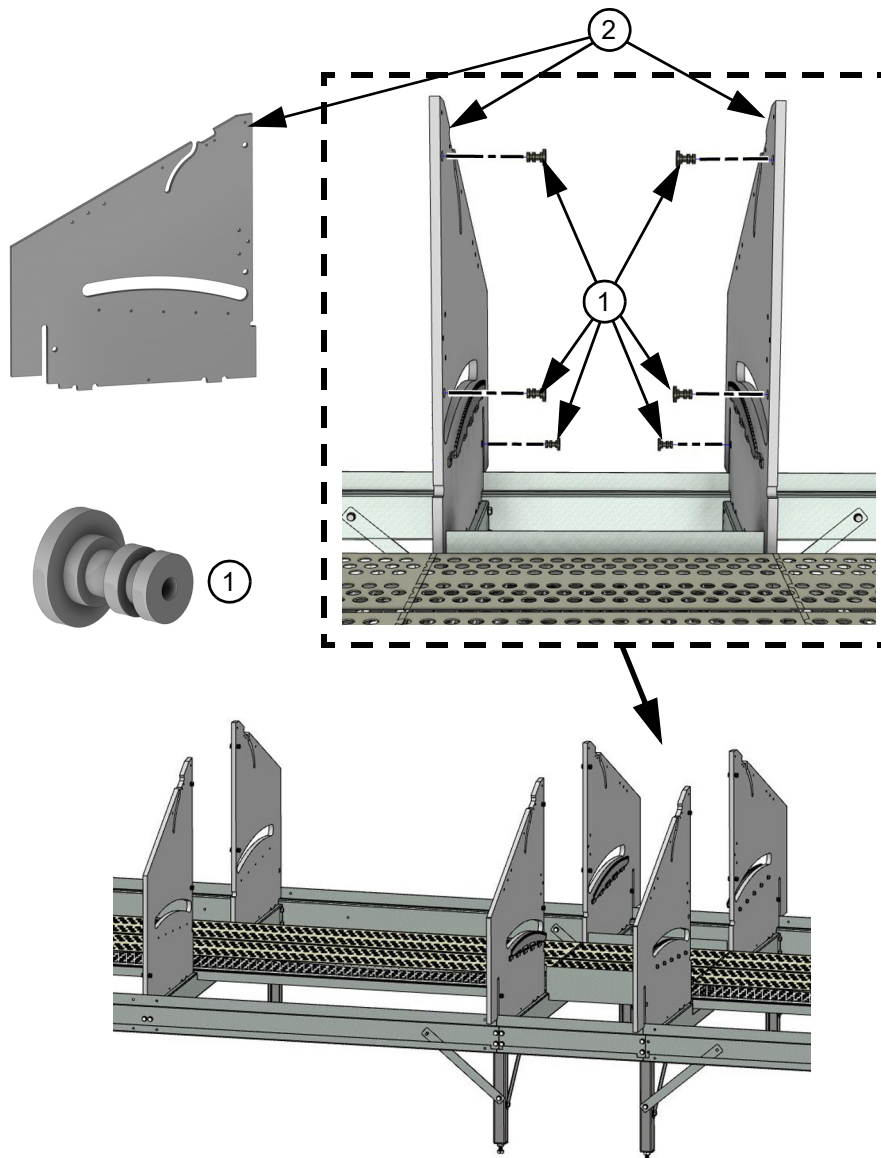


| Item | Description | Part No. |
|------|---------------------|----------|
| 1 | 15mm End Pin | 600737 |
| 2 | 15mm Connecting Pin | 600732 |
| 3 | Side Panel | 600334 |

Figure 16.Pins at Walkovers

Pins at Expulsion Units

1. Install 15mm End Pins (Item 1) in Expeller Side Panels (Item 2) as shown.



| Item | Description | Part No. |
|------|---------------------|----------|
| 1 | 15mm End Pin | 600737 |
| 2 | Expeller Side Panel | 600337 |

Figure 17.Pins at Expulsion Unit

Rack Plate/Side Panel Installation

1. Attach Toothed Rack Plates (**Item 1**) to the Side Panels (**Items 2 and 3**) as shown. See orientation of Toothed Rack Plates (**Inside**) at Expulsion Unit.
2. **Important!** Install Side Panels with Racks at every Leg location "A". No Rack Plates at Middle of Sections "B".
3. At Expulsion Units install Toothed Rack Plates facing inside the Unit as shown.

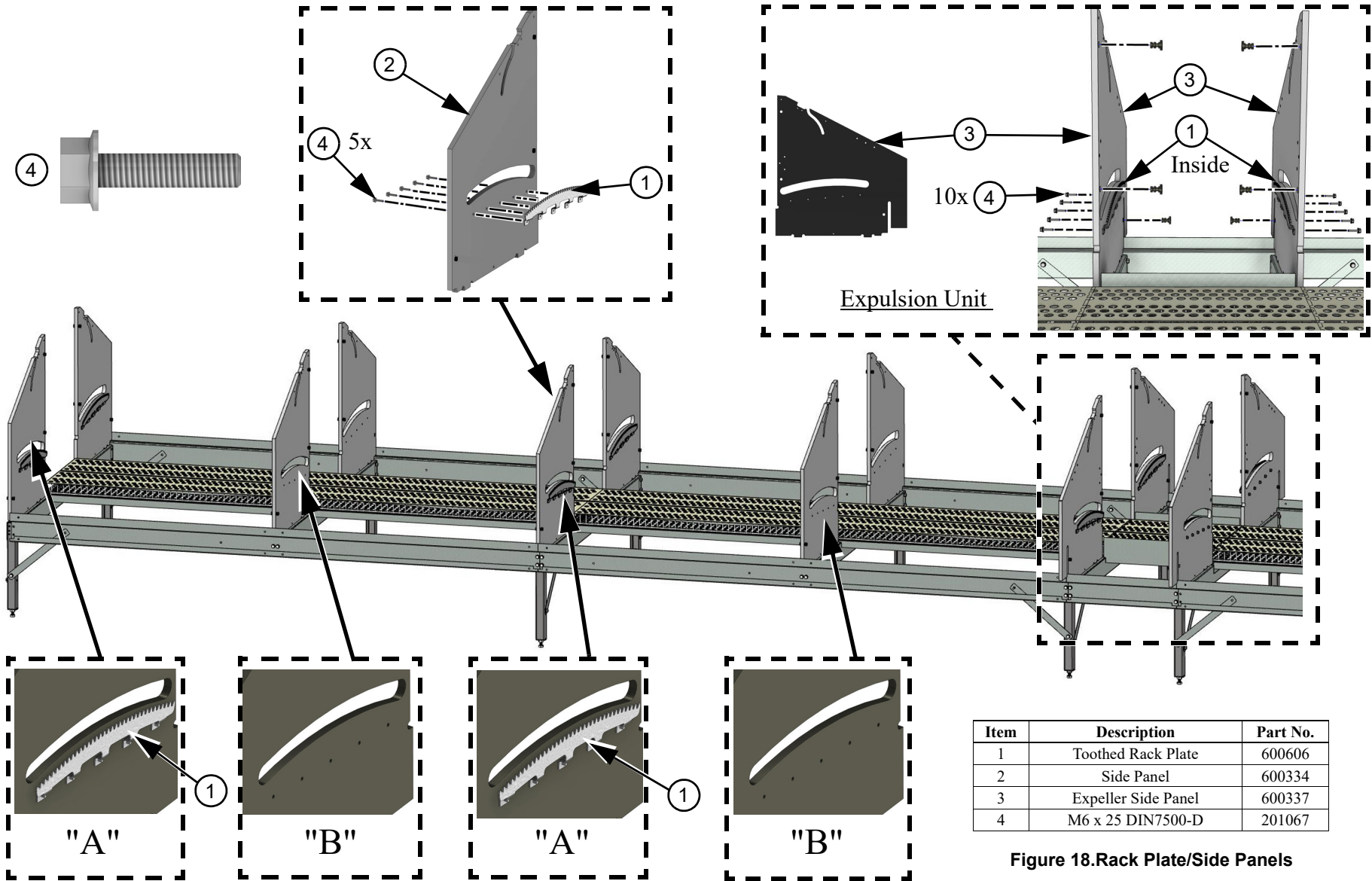
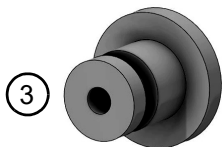
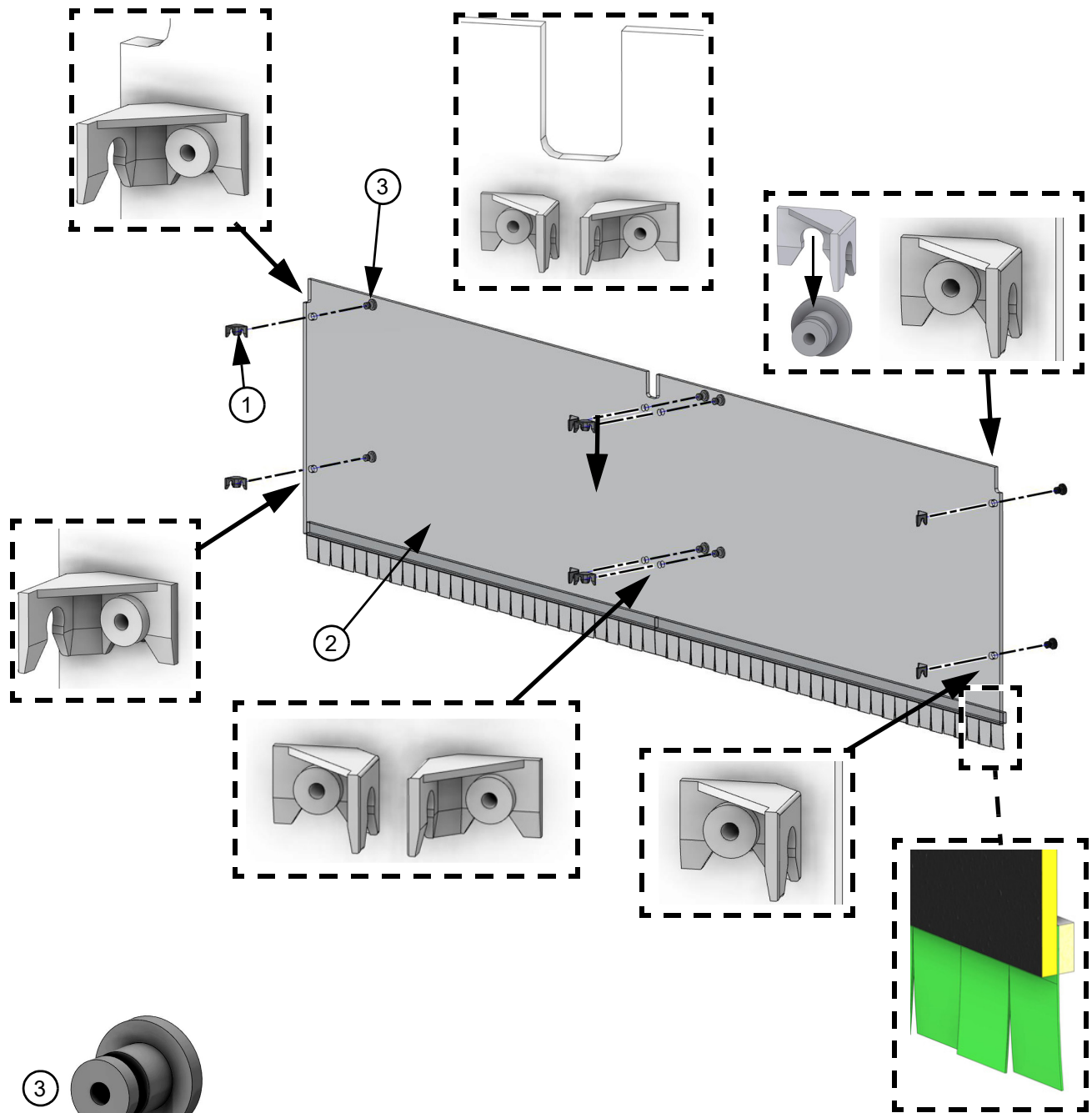


Figure 18. Rack Plate/Side Panels

Back Panel Assembly

Back Panel for Full Section Assembly

1. Attach Corner Plastic Connectors (Item 2) to Back Panels (Item 3) with 9mm End Pins (Item 1) as shown.

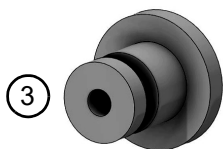
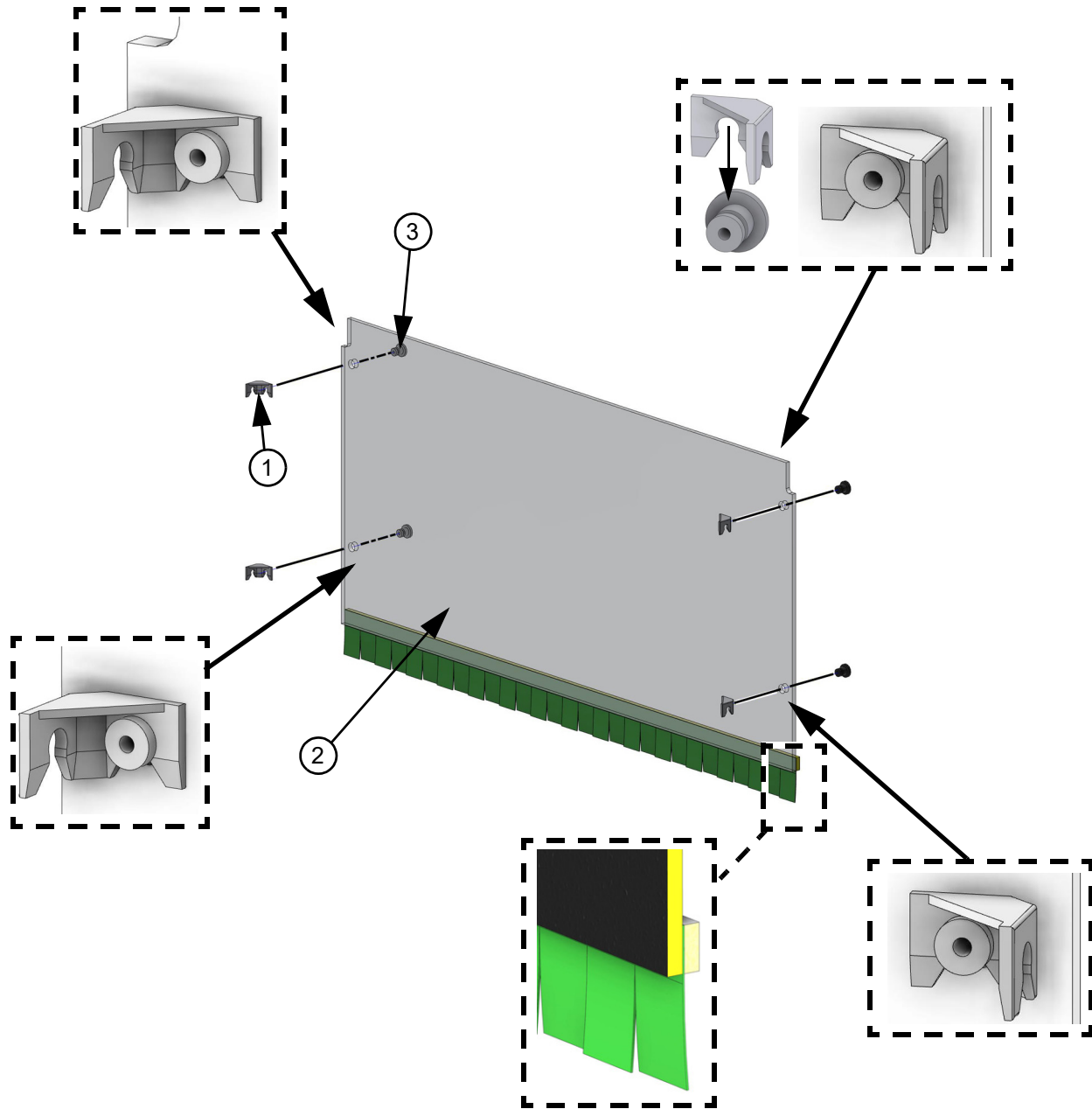


| Item | Description | Part No. |
|------|------------------------------------|----------|
| 1 | Corner Plastic Connector | 600730 |
| 2 | Back Panel Assembly (Full Section) | 600907 |
| 3 | 9mm End Pin | 600733 |

Figure 19.Rear Panel Assembly (Full Section)

Back Panel for Half Section Assembly

1. Attach Corner Plastic Connectors (Item 1) to Back Panels (Item 2) with 9mm End Pins (Item 3) as shown.

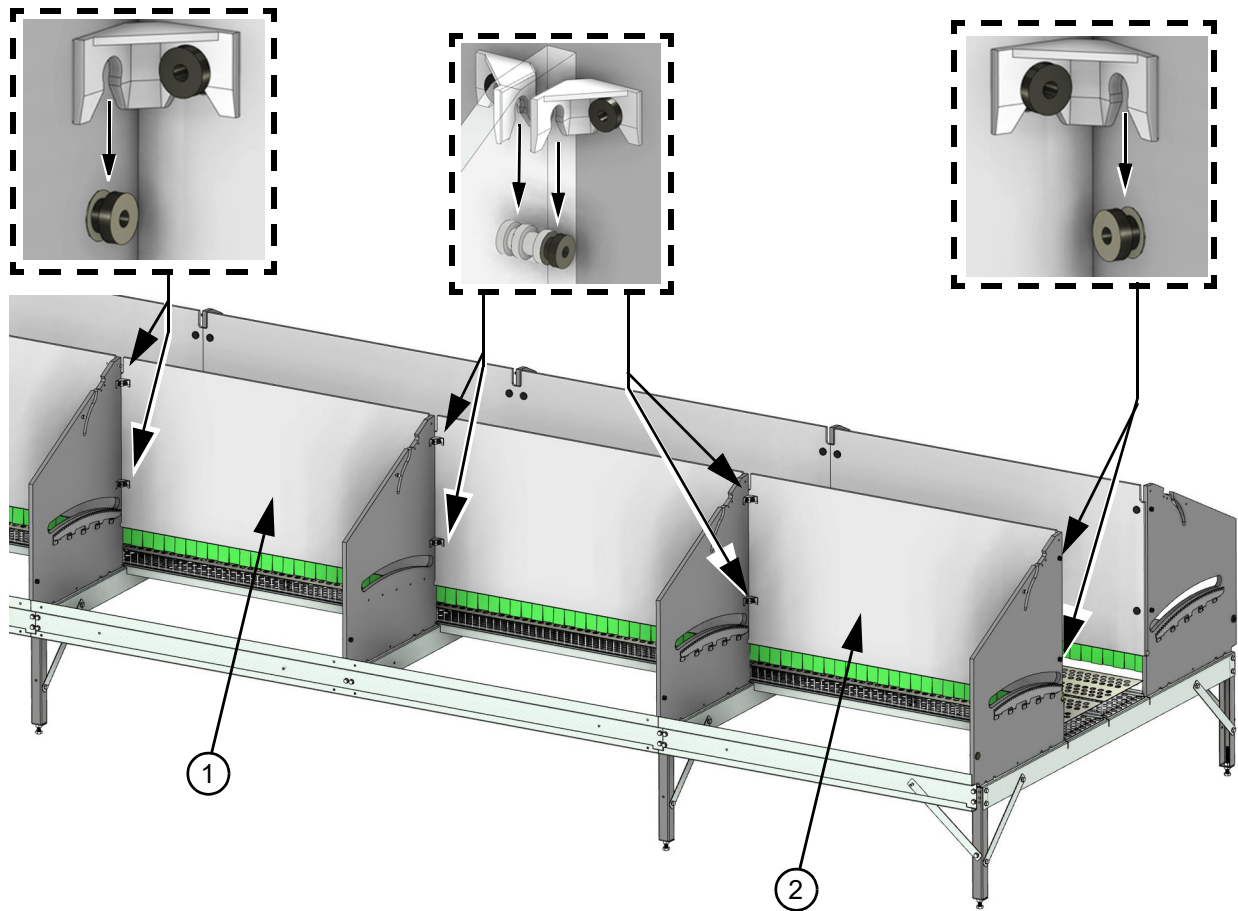


| Item | Description | Part No. |
|------|---------------------------|----------|
| 1 | Corner Plastic Connector | 600730 |
| 2 | Back Panel (Half Section) | 600918 |
| 3 | 9mm End Pin | 600733 |

Figure 20.Rear Panel Assembly (Half Section)

Rear Panel Installation

Install the Rear Panel Assemblies as shown below.

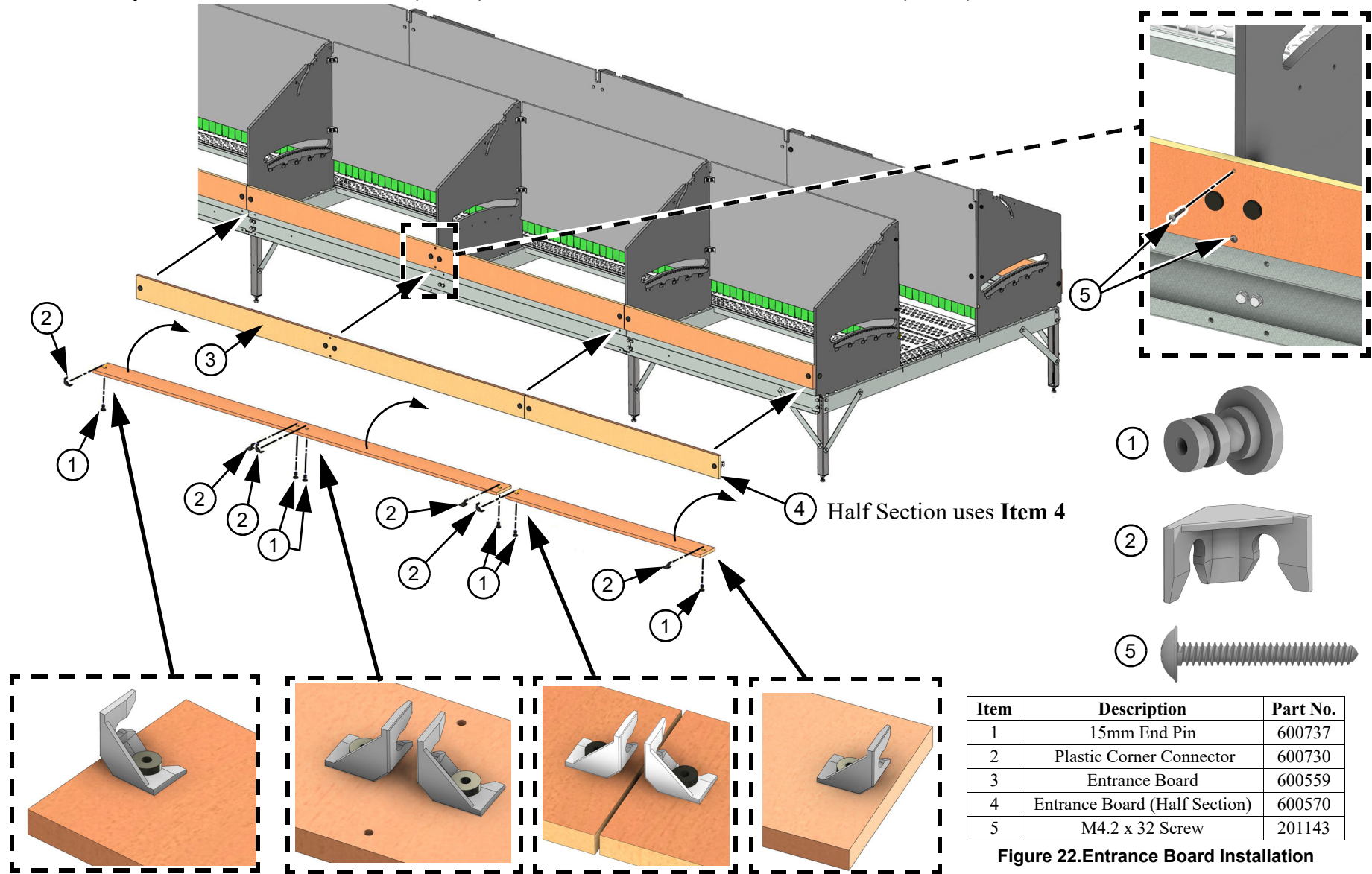


| Item | Description | Part No. |
|------|---------------------------|----------|
| 1 | Back Panel (Full Section) | 600907 |
| 2 | Back Panel (Half Section) | 600918 |

Figure 21.Rear Panel Installation

Entrance Boards

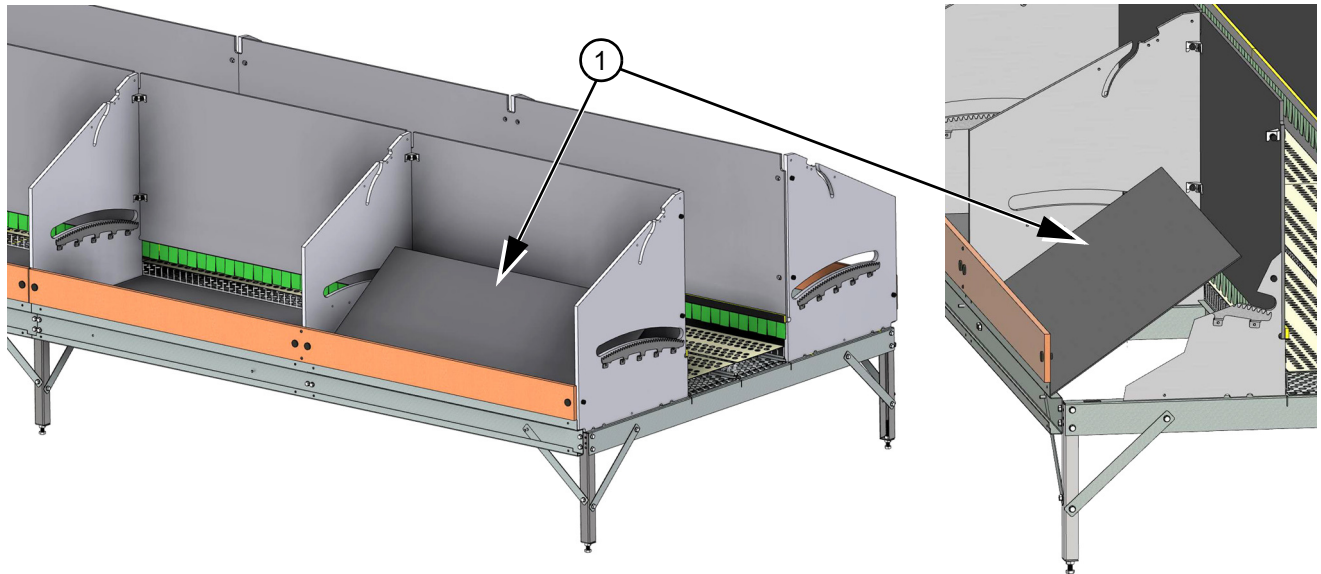
1. Attach Corner Plastic Connectors (**Item 2**) to the Entrance Boards (**Item 3 and 4**) with 9mm End Pins (**Item 1**) as shown.
2. Fasten Entrance Board to the Back Panels by sliding the Corner Connectors onto the 15 mm Connecting Pins installed in **Figure 18.** on page 16.
3. Fasten only Full Section Entrance Boards (**Item 3**) to the Side Panels with two M4.2 x 32 Screws (**Item 4**).



Draft Board (Optional)

Not all installations require Draft Board.

1. Install Draft Boards (Item 1) as shown.

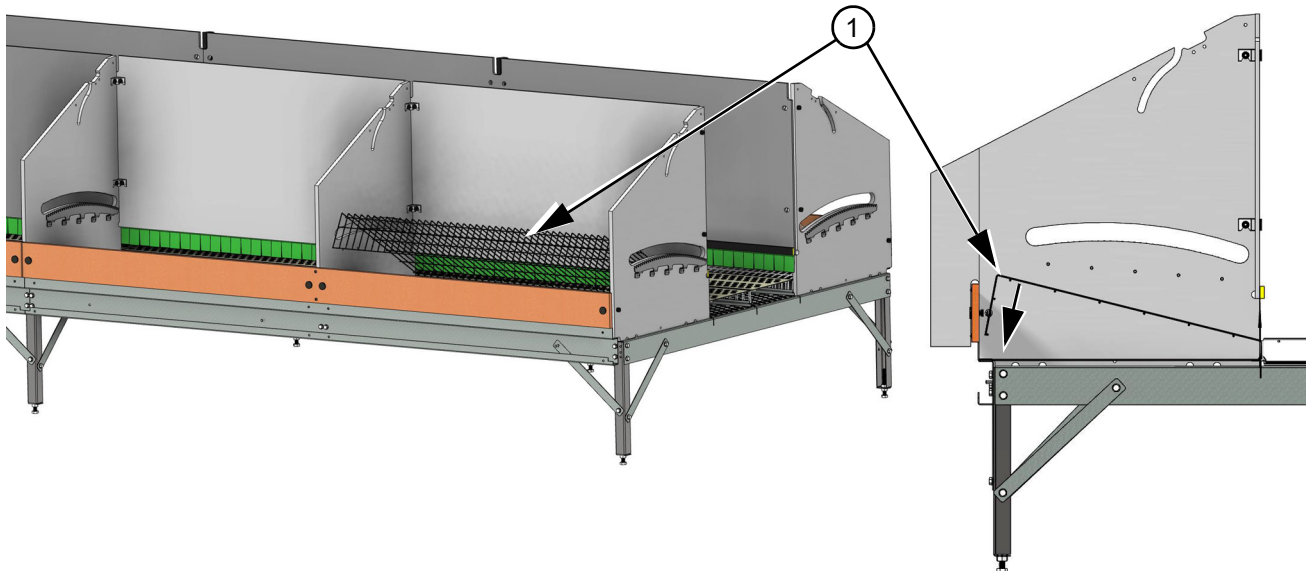


| Item | Description | Part No. |
|------|-------------|----------|
| 1 | Draft Board | 600677 |

Figure 23. Draft Board Installation

Wire Mesh Nest Floor

1. Install Wire Mesh Nest Floor (Item 1) (4 per section) as shown.

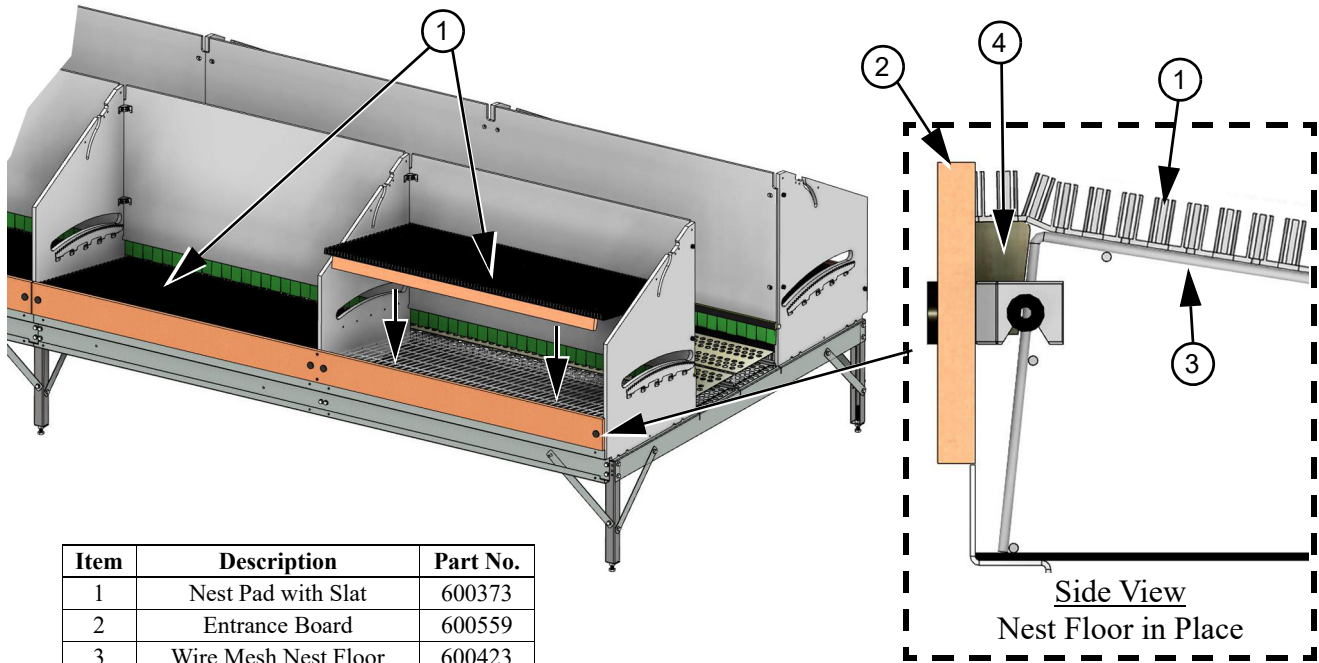


| Item | Description | Part No. |
|------|----------------------|----------|
| 1 | Wire Mesh Nest Floor | 600423 |

Figure 24. Wire Mesh Nest Floor Installation

Nest Pad Installation

1. Install Nest Pad (**Item 1**) as shown with the Nest Pad Slat between the Entrance Board (**Item 2**) and the Wire Mesh Nest Floor (**Item 3**).

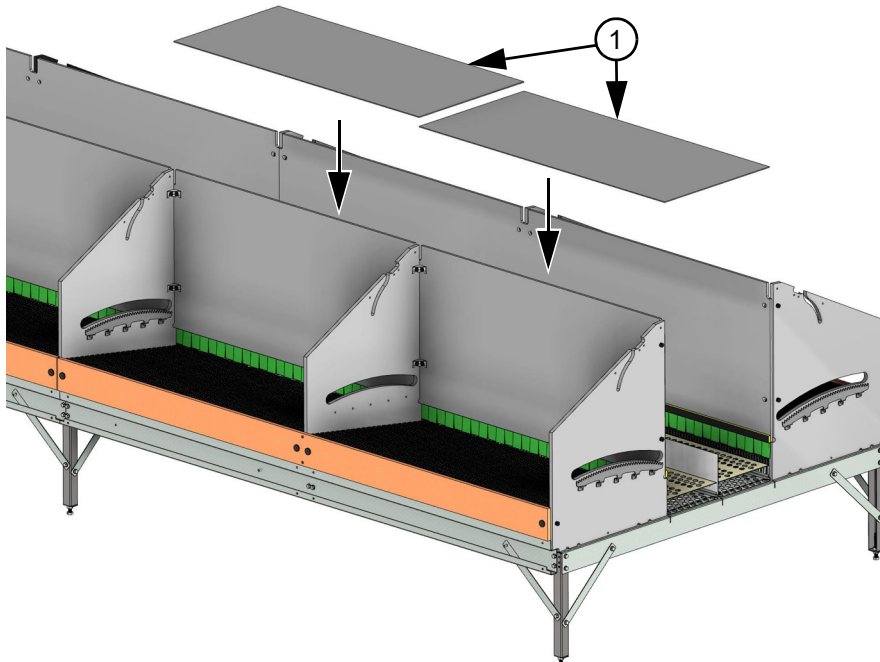


| Item | Description | Part No. |
|------|----------------------|----------|
| 1 | Nest Pad with Slat | 600373 |
| 2 | Entrance Board | 600559 |
| 3 | Wire Mesh Nest Floor | 600423 |
| 4 | Slat | -- |

Figure 25. Nest Pad Installation

Egg Belt Cover

1. Install Egg Belt Cover Plates (**Item 1**) as shown, resting on the wood slats of the Back Panels.



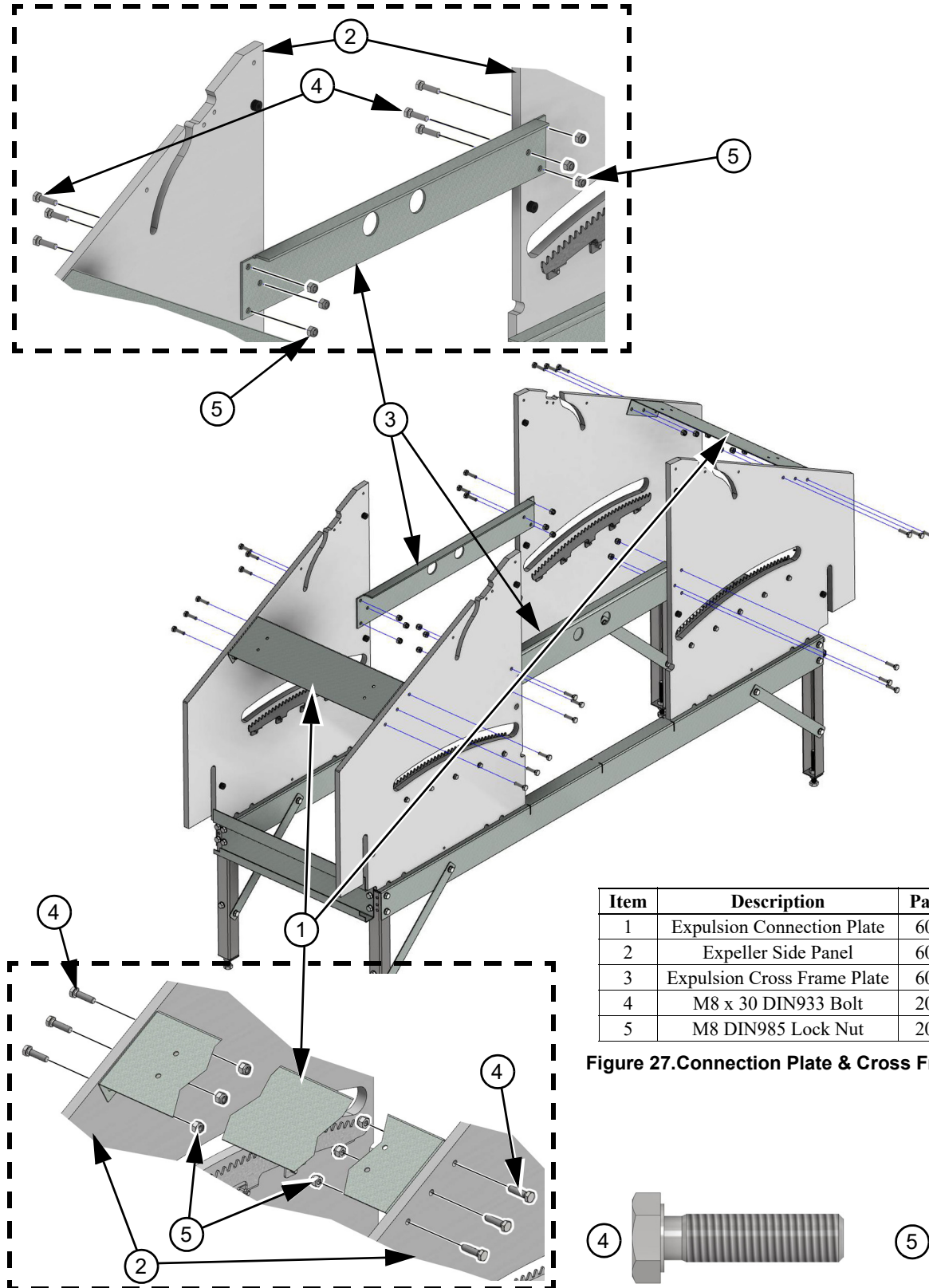
| Item | Description | Part No. |
|------|----------------------|----------|
| 1 | Egg Belt Cover Plate | 600655 |

Figure 26. Egg Belt Cover Plate

Expulsion Unit Installation

Connection Plate & Cross Frame Plate

1. Fasten Two Expulsion Connection Plates (**Item 1**) to the Expeller Side Panels (**Item 2**) as shown.
2. Fasten two Expulsion Cross Frame Plates (**Item 3**) to the Expeller Side Panels with M8 Hardware (**Items 4 & 5**).



Motor Mounts

1. Install four Flanged Bearing Sleeves (Item 4), two Expeller Pipes (Item 3), and 8 Set Collars (Item 5) between the Cross Frame Plates (Item 2) as shown.

Note: Do Not tighten down the four Set Collars on each side of the Expeller Mounting Profiles at this time.

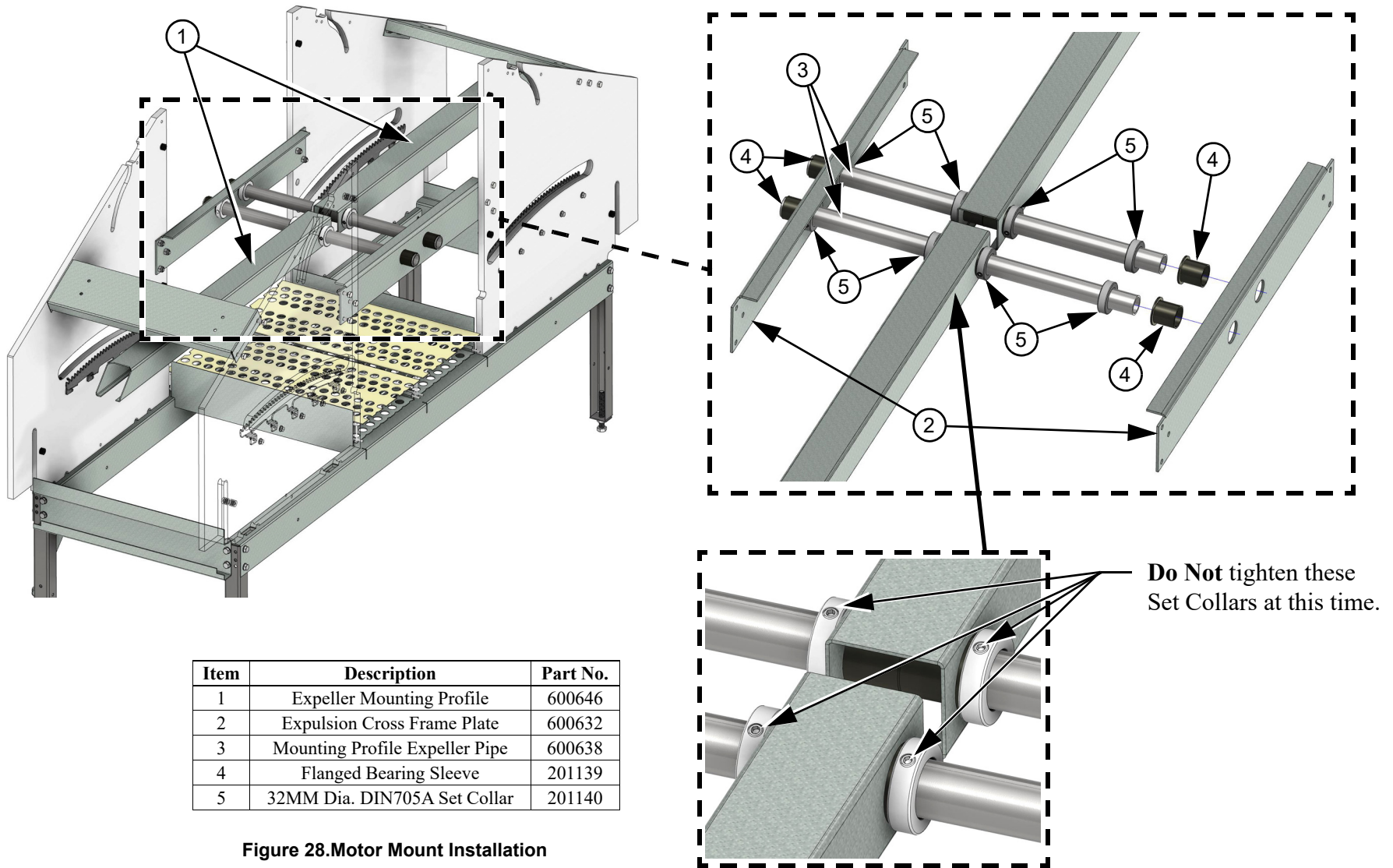
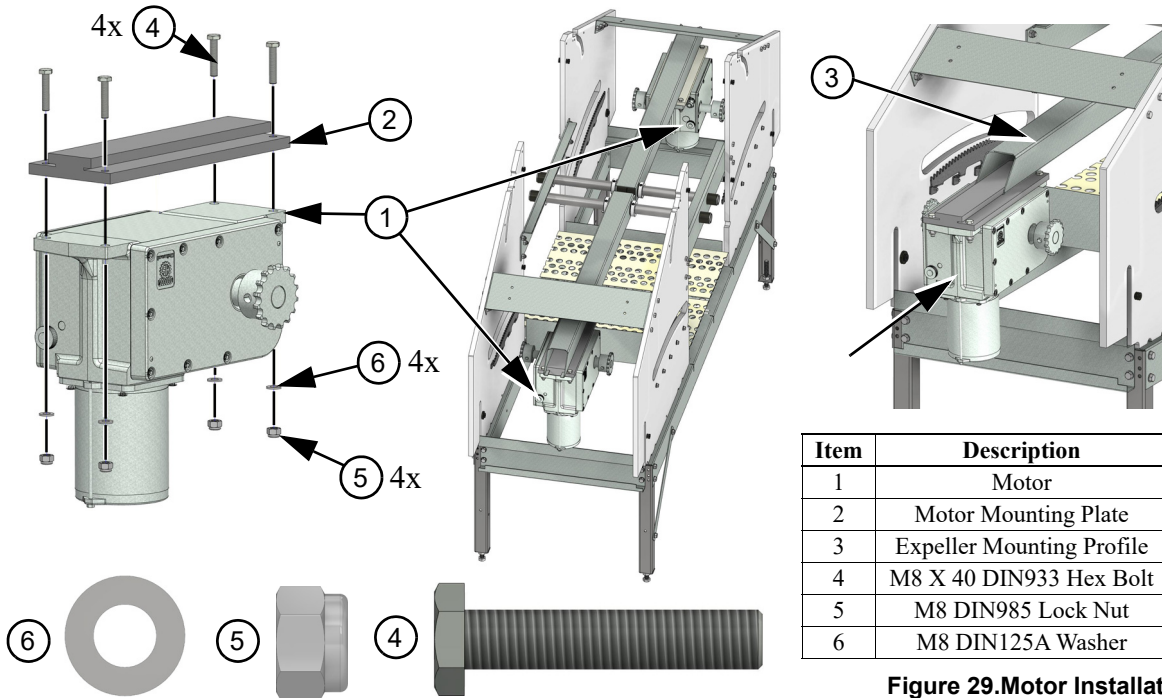


Figure 28. Motor Mount Installation

Motor Installation

1. Fasten the Motors (Item 1) to the Motor Plates (Item 2) with M8 Hex Bolts (Item 4), M8 Washers (Item 6), and M8 Nuts (Item 5) as shown.
2. Slide Motor assembly assemblies onto Expeller Mounting Profiles (Item 3). See Motor Orientation.



Expulsion Shaft Couplings

1. Move the Motors/Expulsion Shafts into the forward position **as shown**.
2. Slide Single Sided Toothed Wheels (**Item 3**) onto four Expulsion Shaft Couplings (**Item 2**) oriented **as shown**.
3. Attach the Expulsion Shaft Couplings to the Motor Shaft Couplings using Chain and Shackle Duplex's (**Item 1**).
4. Orient the Toothed Wheels with the Set Screws toward the front of Nest and up **as shown**.
5. Tighten the four Set Collars (**Item 4**) on the Mounting Profile Expeller Pipes.

Set Screw

Expulsion Tubes in the forward position.

Step 1

Teeth toward inside

Step 2 and 3

Motor Shaft Coupling

| Item | Description | Part No. |
|------|------------------------------|----------|
| 1 | Chain & Shackle Duplex | 603113 |
| 2 | Expulsion Shaft Coupling | 603112 |
| 3 | Single Sided Toothed Wheel | 600622 |
| 4 | 32MM Dia. DIN705A Set Collar | 201140 |

Figure 30. Expulsion Shaft Couplings

Set Screw

Set Screw: Orient Wheel with one Set Screw toward front and one up for easier adjustment later.

Step 4

Step 5

Expulsion Shafts

Connection at Expulsion Unit

There is a Single Sided Toothed Wheel at every Side Panel that has a Toothed Rack Plate.

Installing Expulsion Tubes until you get to a Walkover, Expulsion Unit, or in some cases the end of the System.

1. Make Sure that the Expulsion Shafts are in the forward position.
2. Set a Single Sided Toothed Wheel (**Item 1**) on every Toothed Rack Plate (**Item 2**) orienting them with the Set Screws facing toward front and top of nest **as shown**. Do not Tighten Set Screws at this time.
3. Slide the first Expulsion Tube (**Item 3**) through the Toothed Wheels and connect it to the expulsion Shaft Coupling (**Item 4**) with M8 x 40 Bolts (**Item 5**) and M8 Locking Nuts (**Item 6**).

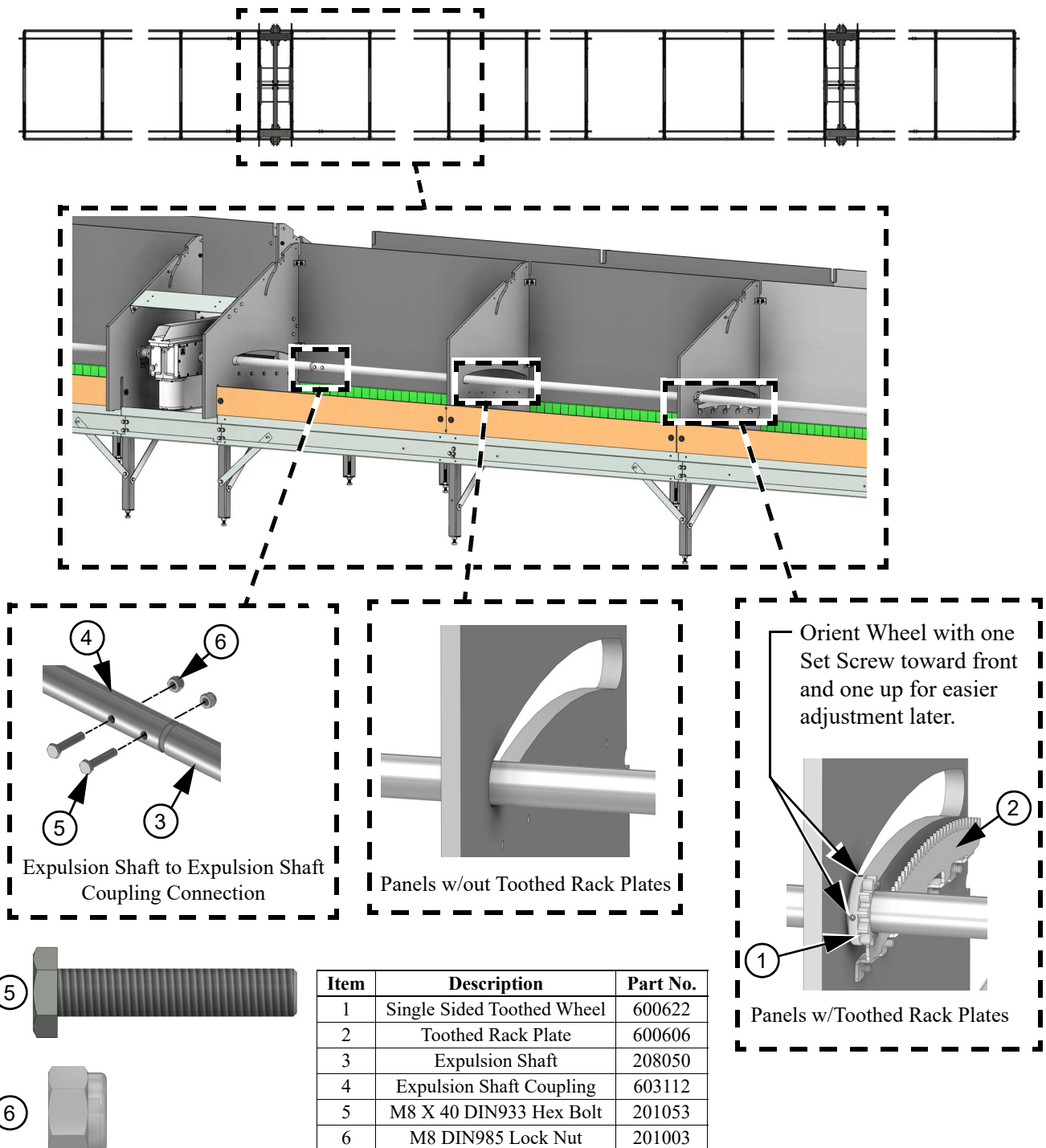
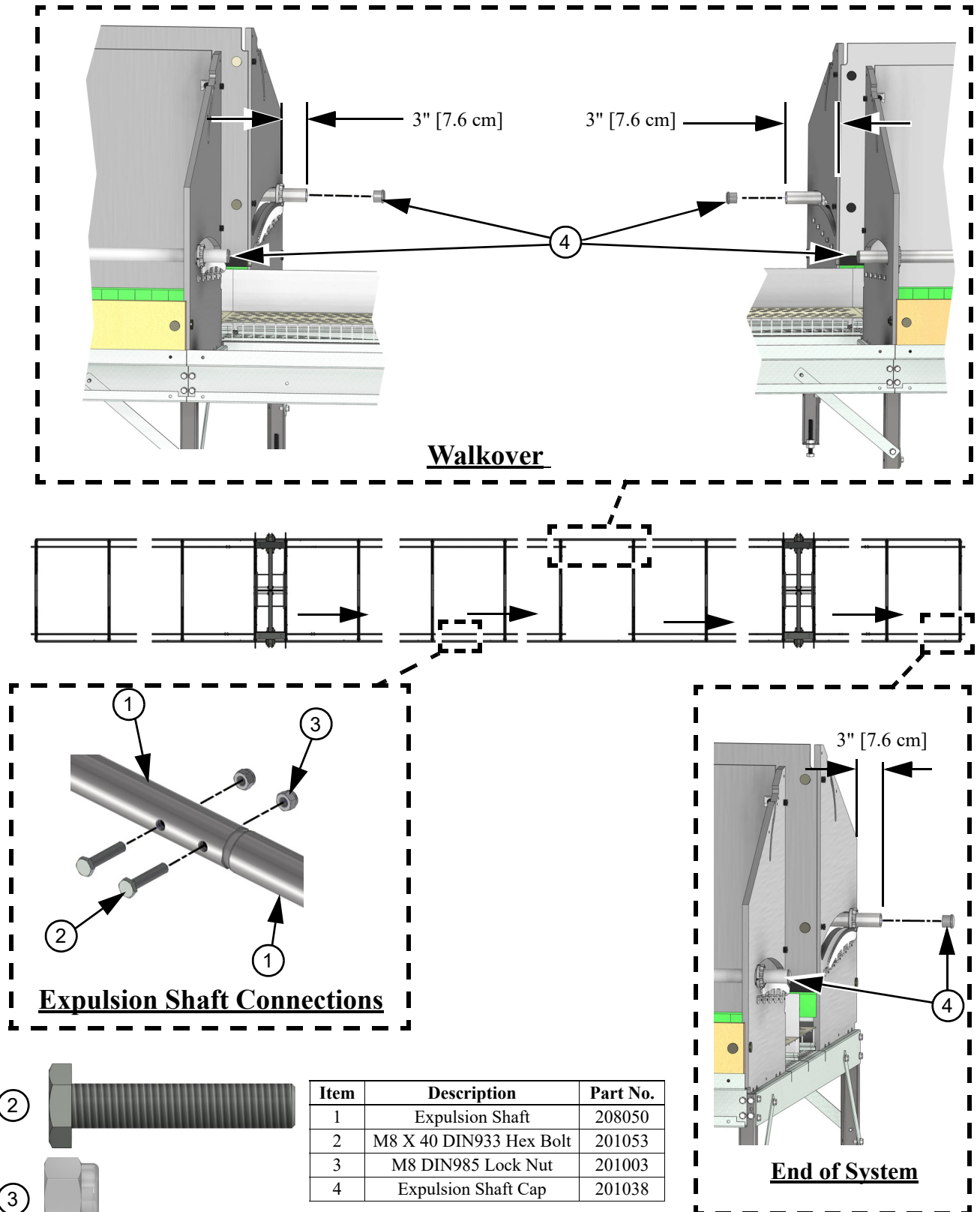


Figure 31.Connection at Expulsion Unit

Expulsion Shafts/Caps

1. Continue Connecting Expulsion Shafts (Item 1) together (See Figure) until you reach a Walkover, Expulsion Unit, or the end of the system.
2. See Figure 40 (on page 33) for an example of a Walkover.
3. Cut Shafts off at Walkovers and the End of the System and Install Expulsion Shaft Caps (Item 4) as shown.
4. **Important!** Do not tighten the Toothed Wheels at this time. They will be tightened in the next step.



| Item | Description | Part No. |
|------|-------------------------|----------|
| 1 | Expulsion Shaft | 208050 |
| 2 | M8 X 40 DIN933 Hex Bolt | 201053 |
| 3 | M8 DIN985 Lock Nut | 201003 |
| 4 | Expulsion Shaft Cap | 201038 |

Figure 32. Expulsion Shafts

Tightening down Toothed Wheels on Expulsion Shafts

1. Make sure the Tubes toward the front of the nest as **shown**.
2. **Important!** Rotate the Toothed Wheels so the Set Screws are toward the front and top of the nest and tighten all of the Set Screws. Proper orientation of the Set Screws allows for easy adjustment later.

Orient Wheel with one Set Screw toward front and one up for easier adjustment later.

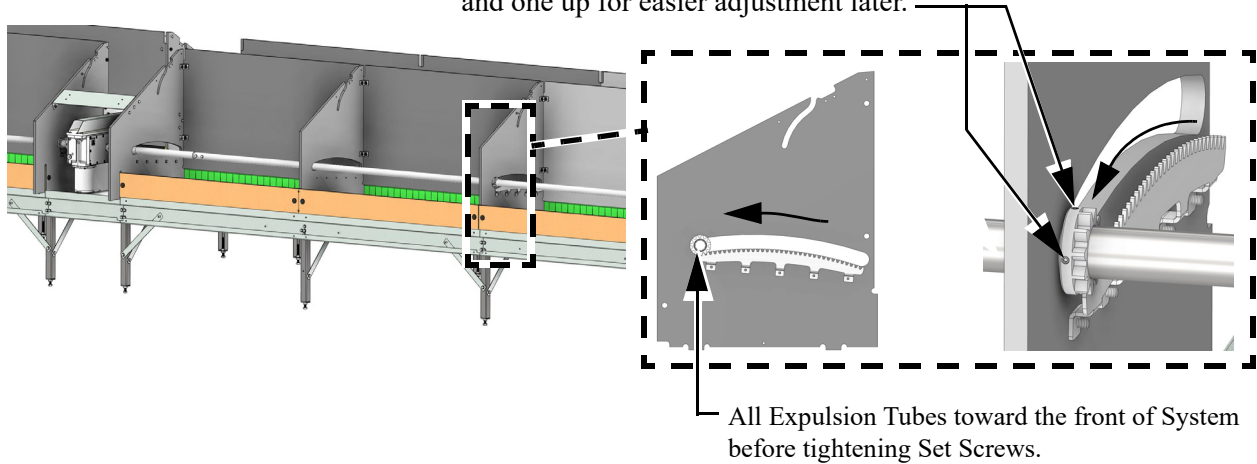
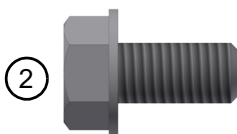
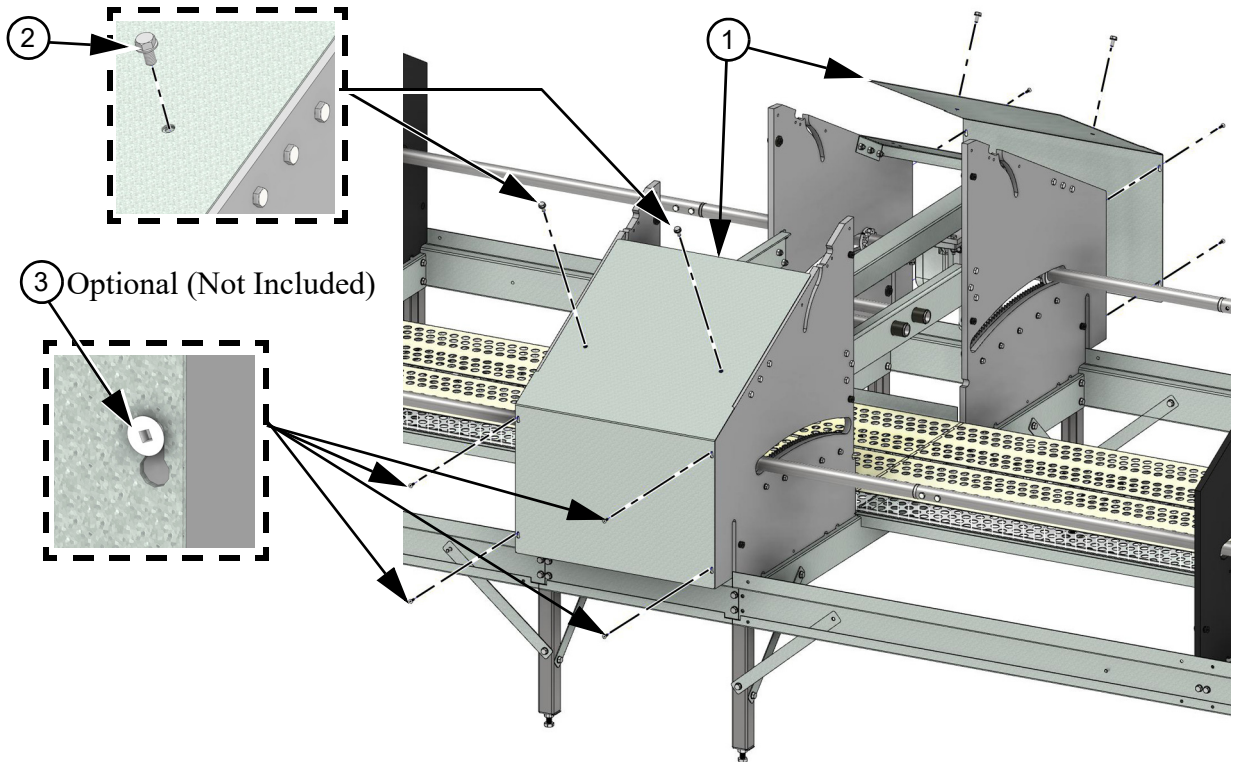


Figure 33. Tightening Down Toothed Wheels to Expulsion Shafts

Expulsion Unit Cover

1. Fasten Covers (**Item 1**) to the Expulsion Unit with M8 x 16 Bolts (**Item 2**) as shown.
2. Screws (**Item 3**) can be used at the Keyhole locations for easy removal if desired (**Shown but not included**).

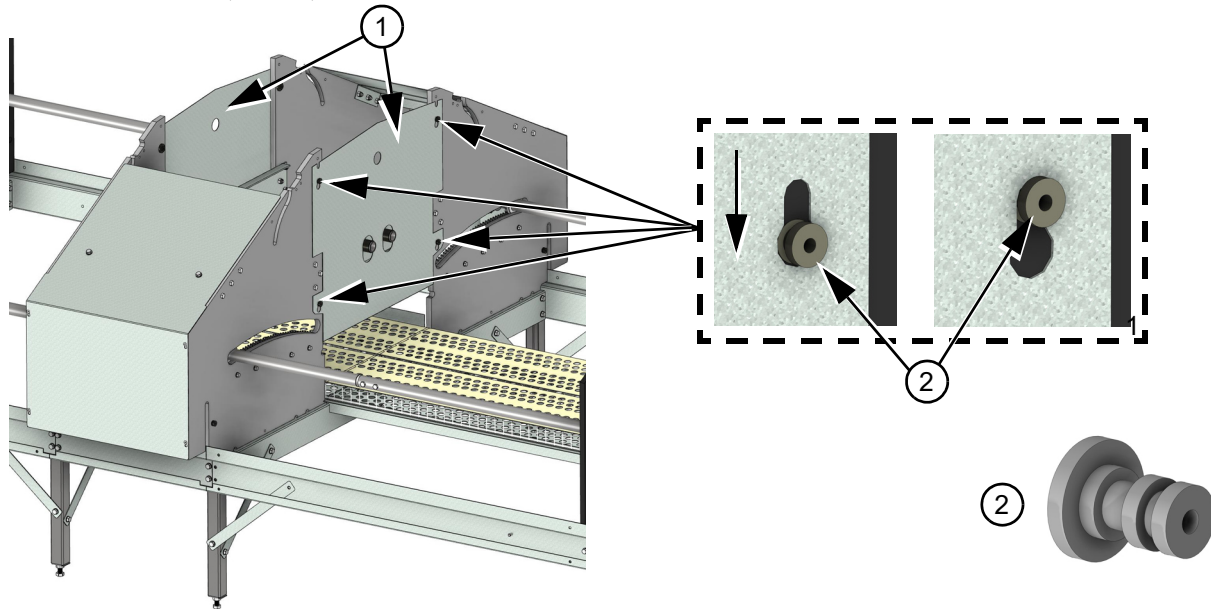


| Item | Description | Part No. |
|------|------------------|----------|
| 1 | Cover | 56472 |
| 2 | M8 x 16 Tapite | 201047 |
| 3 | Screw (Optional) | -- |

Figure 34. Expulsion Unit Cover

Expulsion Unit Closure

1. Attach Expulsion Unit Closures (**Item 1**) to both sides of each Expulsion Unit by locking into place with 15mm End Pins (**Item 2**).

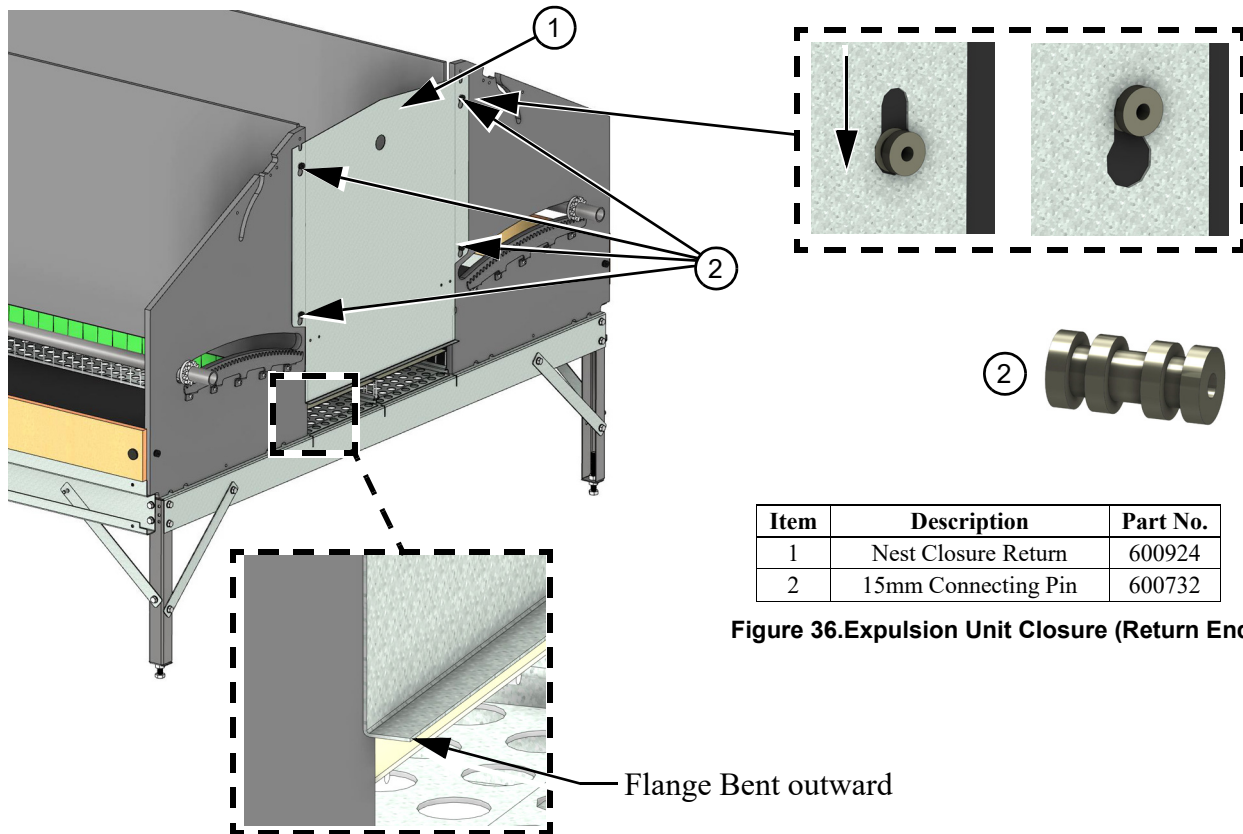


| Item | Description | Part No. |
|------|------------------------|----------|
| 1 | Expulsion Unit Closure | 600925 |
| 2 | 15mm End Pin | 600737 |

Figure 35. Expulsion Unit Closure

End of the Row (Return End)

1. At the Return End of the System, fasten an Nest Closure Return (**Item 1**), using 15mm End Pins (**Item 2**).



| Item | Description | Part No. |
|------|---------------------|----------|
| 1 | Nest Closure Return | 600924 |
| 2 | 15mm Connecting Pin | 600732 |

Figure 36. Expulsion Unit Closure (Return End)

End of the Row (Drive Unit End)

1. At the Drive Unit End Fasten a Nest Closure (Item 1) using 15mm Connecting Pins (Item 2).

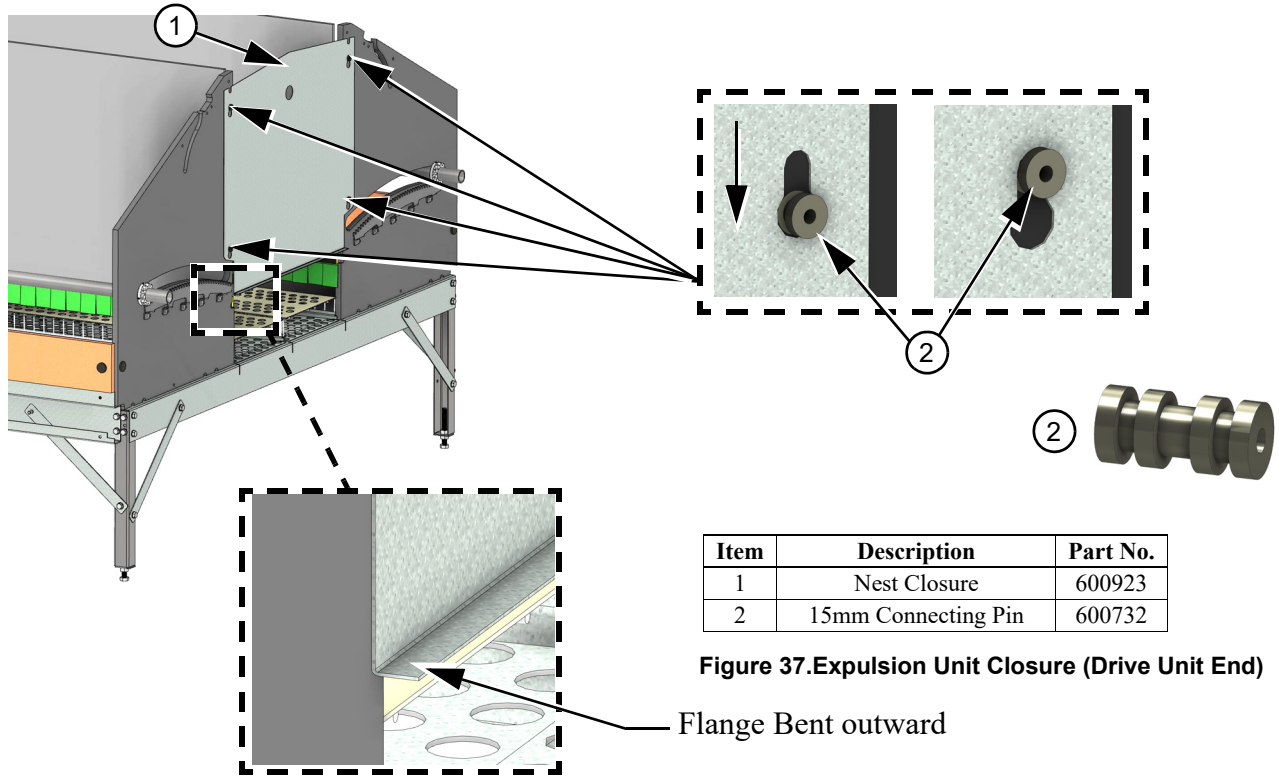
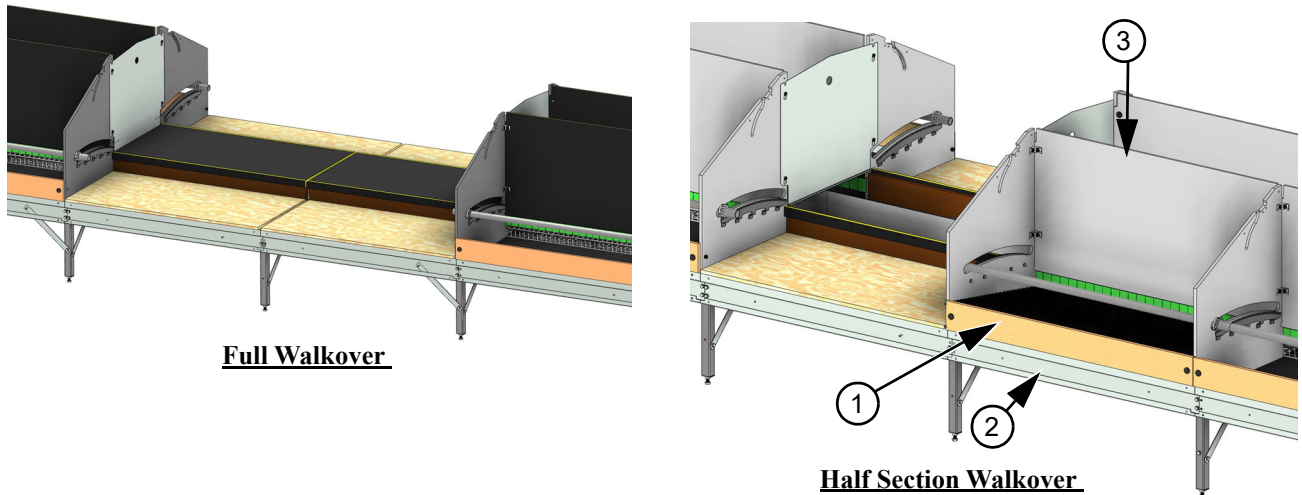


Figure 37. Expulsion Unit Closure (Drive Unit End)

Walk Over Section

Walk Over Sections can be located at any location but it is recommended to be centered between Expulsion Units. A Walk Over can be a full or half Section.

1. Install the parts on the Enclosed side of the Half Section Walkover the same as Figure 19, Page 17 through Figure 25 Page 22. See the Figure below for additional parts needed for Half Section Walkover.



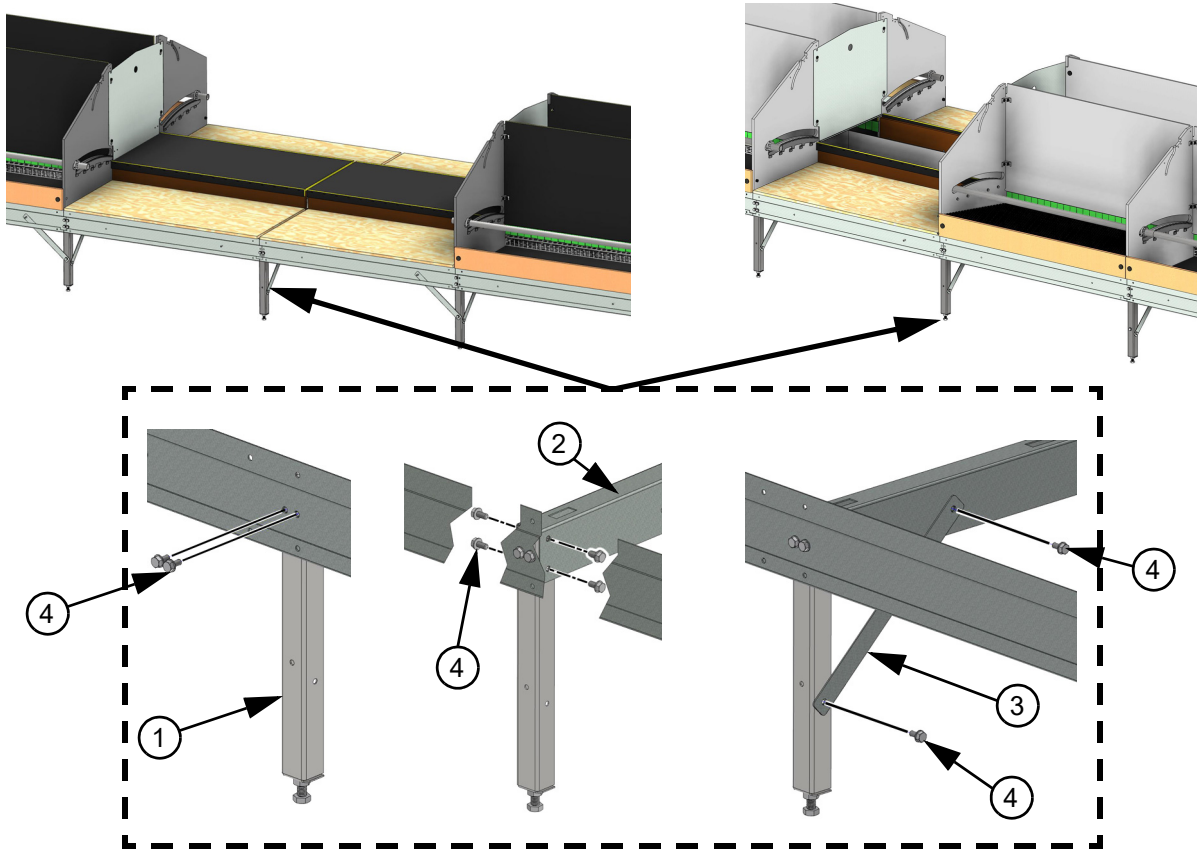
| Item | Description | Part No. |
|------|---|----------|
| 1 | Half Section Entrance Board 47-3/16" [1198mm] | 600570 |
| 2 | Half Section Side Carriage 47-1/4" [1200mm] | 600263 |
| 3 | Half Section Back Panel [588mm] | 600917 |

Figure 38. Walkover Section Full/Half

Extra Leg Assembly at Walkover

Important! An extra Leg Assembly is required for support at Walkover Sections.

1. Install Extra Leg Assemblies and Strut Strips in the Center of the Walkover Section **as shown**.



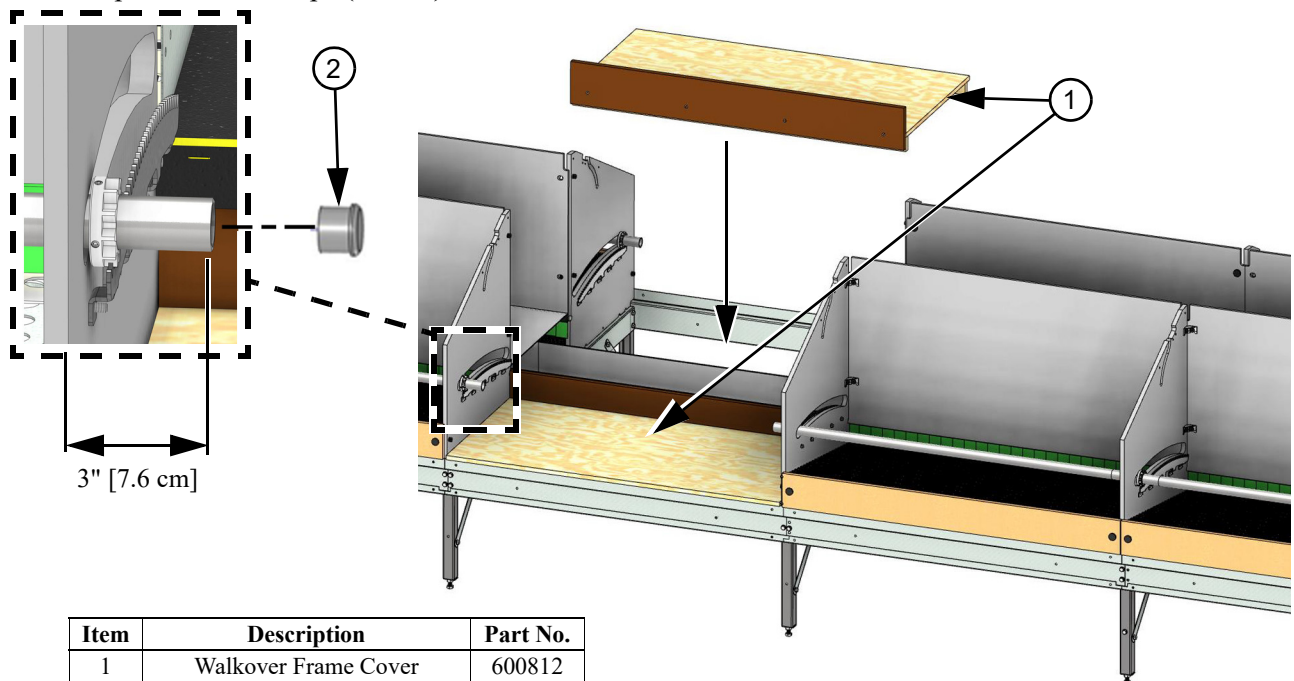
| Item | Description | Part No. |
|------|-----------------------|----------|
| 1 | Leg Assembly | -- |
| 2 | RDE-58 Cross Carriage | 600236 |
| 3 | Strut Strip | 600734 |
| 4 | M8 x 16 Taptite | 201047 |

Figure 39.Extra Leg Assembly at Walkover

Half Section Walkover

Walkover Frame Cover/Expulsion Shafts

1. Expulsion Shafts should be 3" past Side Panels. (See Figure 40.)
2. Install Walkover Frame Covers (Item 1) as shown.
3. Add Expulsion Shaft Caps (Item 2).



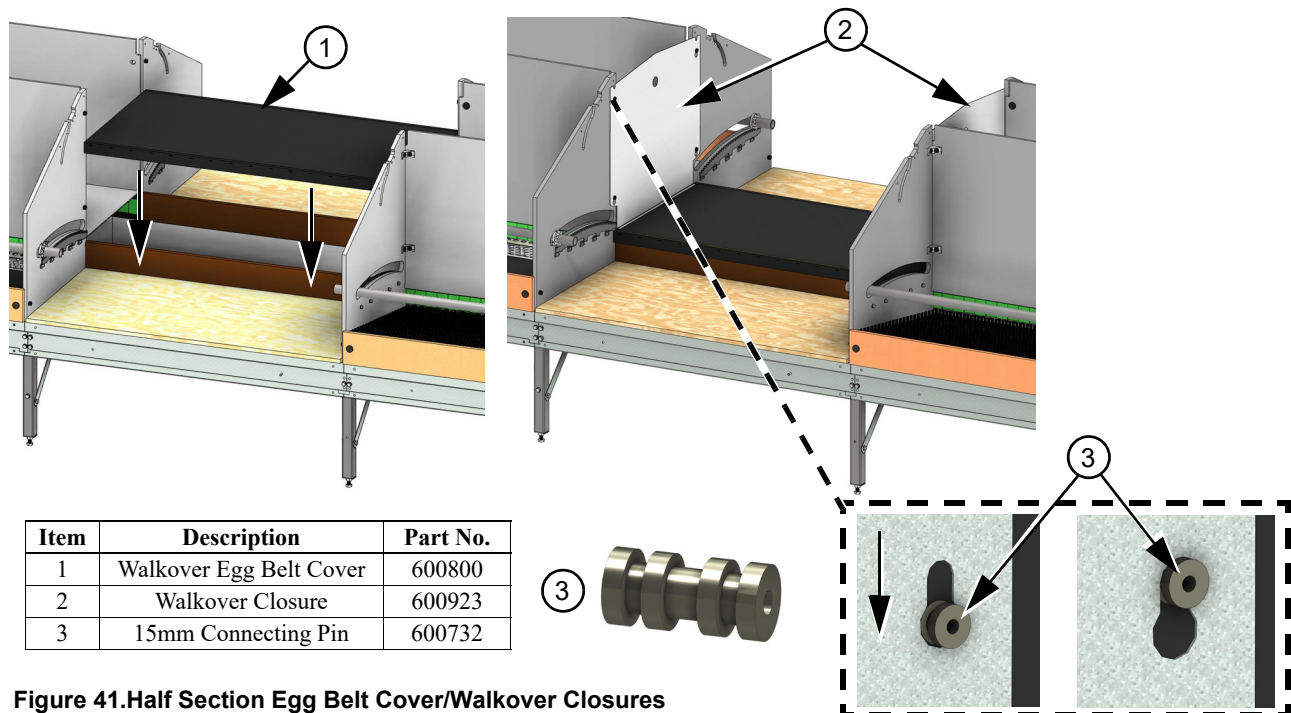
| Item | Description | Part No. |
|------|----------------------|----------|
| 1 | Walkover Frame Cover | 600812 |
| 2 | Expulsion Shaft Cap | 201038 |

Figure 40. Walkover Frame Cover/Expulsion Shafts

| | | |
|---|---------------------|--------|
| 4 | Expulsion Shaft Cap | 201038 |
|---|---------------------|--------|

Walkover Egg Belt Cover and Walkover Closures

1. Install Walkover Egg Belt Cover (Item 1).
2. Install Walkover Closures (Item 2) using 15mm Connecting Pins (Item 3).



| Item | Description | Part No. |
|------|-------------------------|----------|
| 1 | Walkover Egg Belt Cover | 600800 |
| 2 | Walkover Closure | 600923 |
| 3 | 15mm Connecting Pin | 600732 |

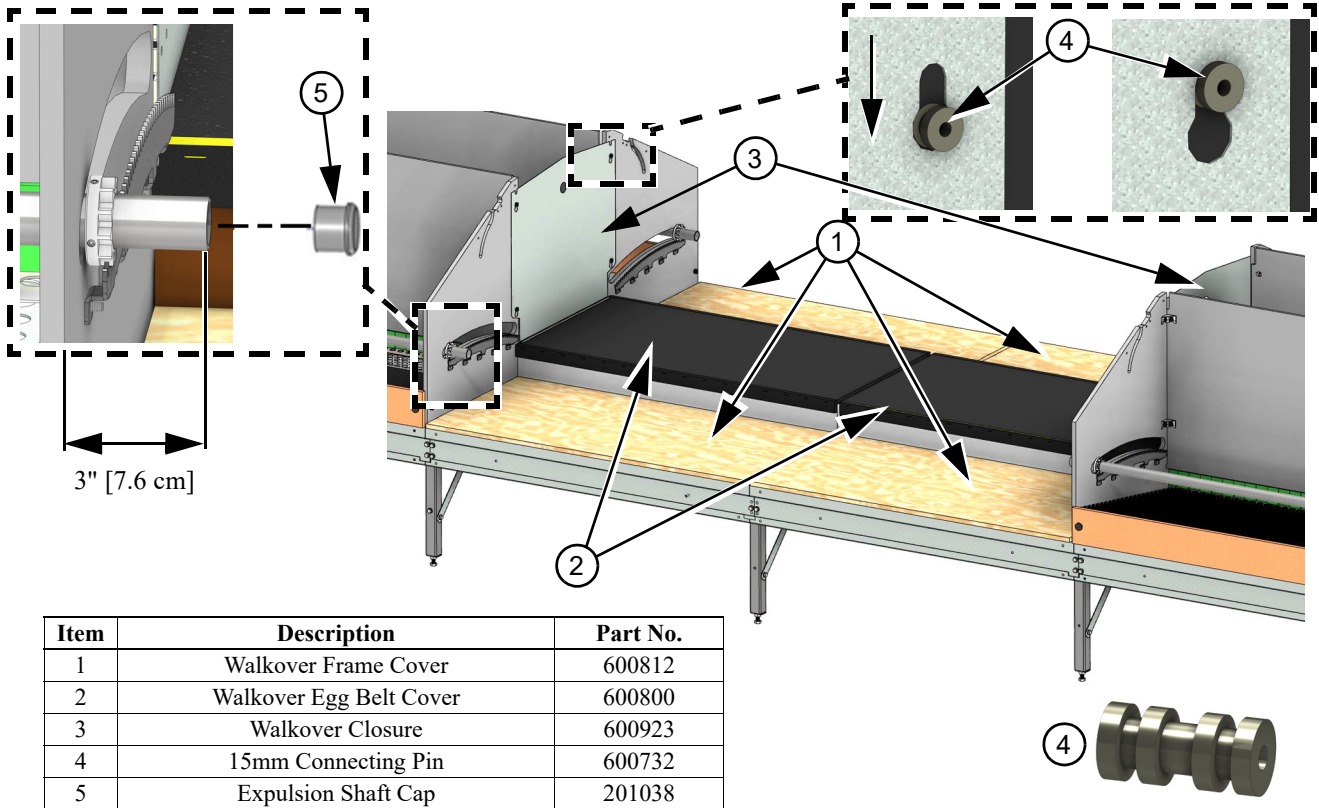
Figure 41. Half Section Egg Belt Cover/Walkover Closures

Full Section Walkover

1. Expulsion Shafts should be 3" past Side Panels. (See Figure 42.)

Note: Walkover Frame Covers, Egg Belt Covers, and Closures are installed the same for Full or Half Section Walkovers See Figure 40 (on page 33) through Figure 41. for better view of parts.

2. Install Walkover Frame Covers (Item 1).
3. Install Walkover Egg Belt Covers (Item 2).
4. Install Walkover Closures (Item 3).
5. Install Expulsion Shaft Caps (Item 5).



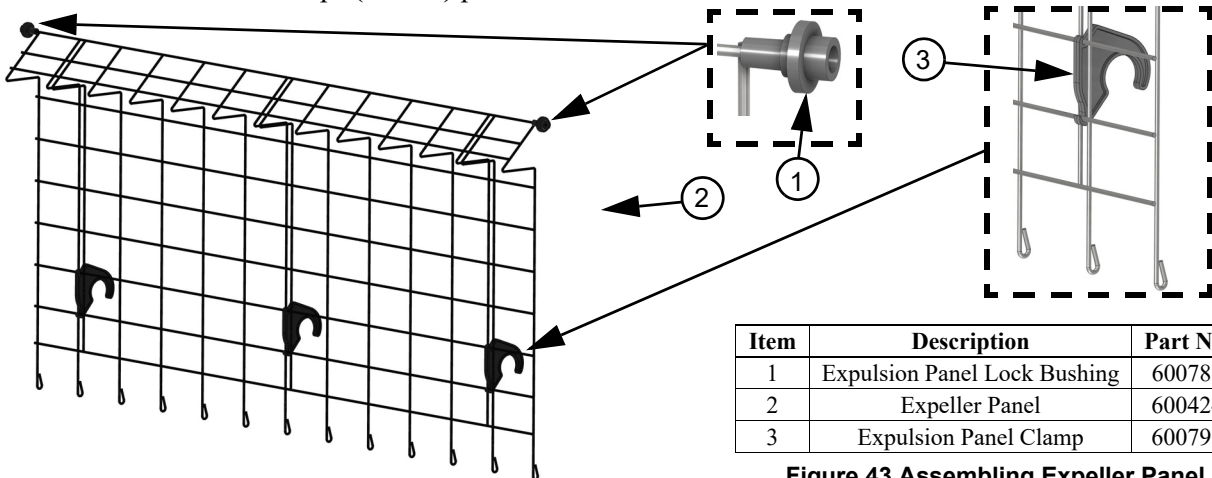
| Item | Description | Part No. |
|------|-------------------------|----------|
| 1 | Walkover Frame Cover | 600812 |
| 2 | Walkover Egg Belt Cover | 600800 |
| 3 | Walkover Closure | 600923 |
| 4 | 15mm Connecting Pin | 600732 |
| 5 | Expulsion Shaft Cap | 201038 |

Figure 42. Full Section Walkover

Expeller Installation

Expeller Panel Assembly

1. Install two Panel Lock Bushings (Item 1) per Expeller Panel (Item 2).
2. Attach three Panel Clamps (Item 3) per Panel in the locations shown.



| Item | Description | Part No. |
|------|------------------------------|----------|
| 1 | Expulsion Panel Lock Bushing | 600789 |
| 2 | Expeller Panel | 600424 |
| 3 | Expulsion Panel Clamp | 600795 |

Figure 43. Assembling Expeller Panel

Expeller Panel Installation

1. Insert the Panel Lock Bushings (**Item 1**) of the Expeller Panel Assembly into the Slots of the Side Panel, and snap the Panel Clamps (**Item 2**) onto the Expulsion Shafts as shown.

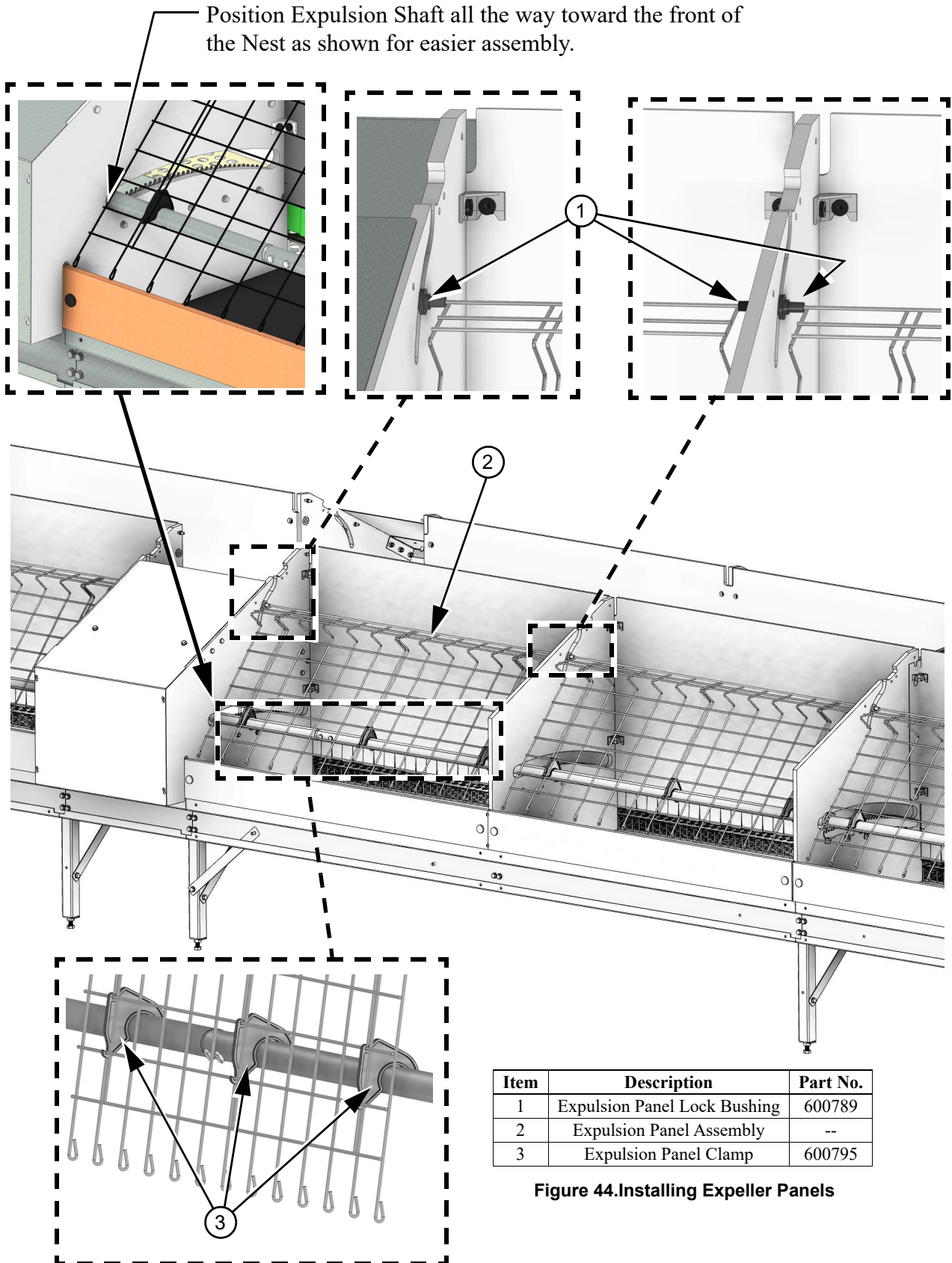


Figure 44.Installing Expeller Panels

Multiple Roof Panel Installation

1. Install Roof Hinges (Item 6) on Roof Panel Assemblies (Items 1, and 2) with M8 x 16 Tapites (Item 5)
2. Install Roof Panels (Items 1, and 2) using M6 x 35 Hex Bolts (Item 3) and M6 Hex Nuts (Item 4).

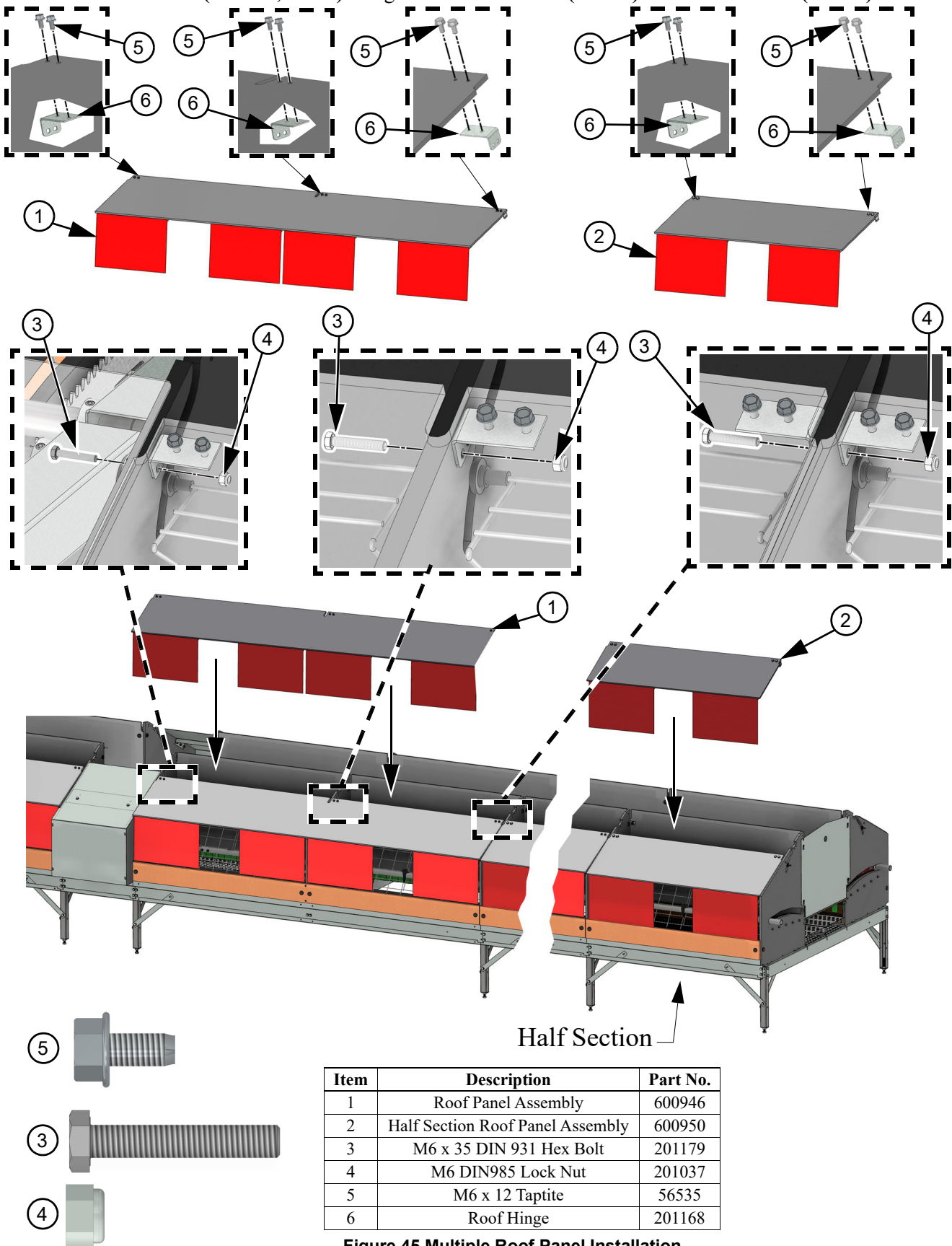


Figure 45. Multiple Roof Panel Installation

Roof Supports

1. Fasten U-Profile Roof Supports (**Item 1**) together with M8 x 16 Taptites (**Item 3**) as shown.
2. Install a Roof Support Assembly at each and every Leg location using M6 x 50 Hex Bolts (**Item 4**) and M6 Lock Nuts (**Item 5**).
3. Install two Top Supports (**Item 2**) in each Roof Support Assembly.

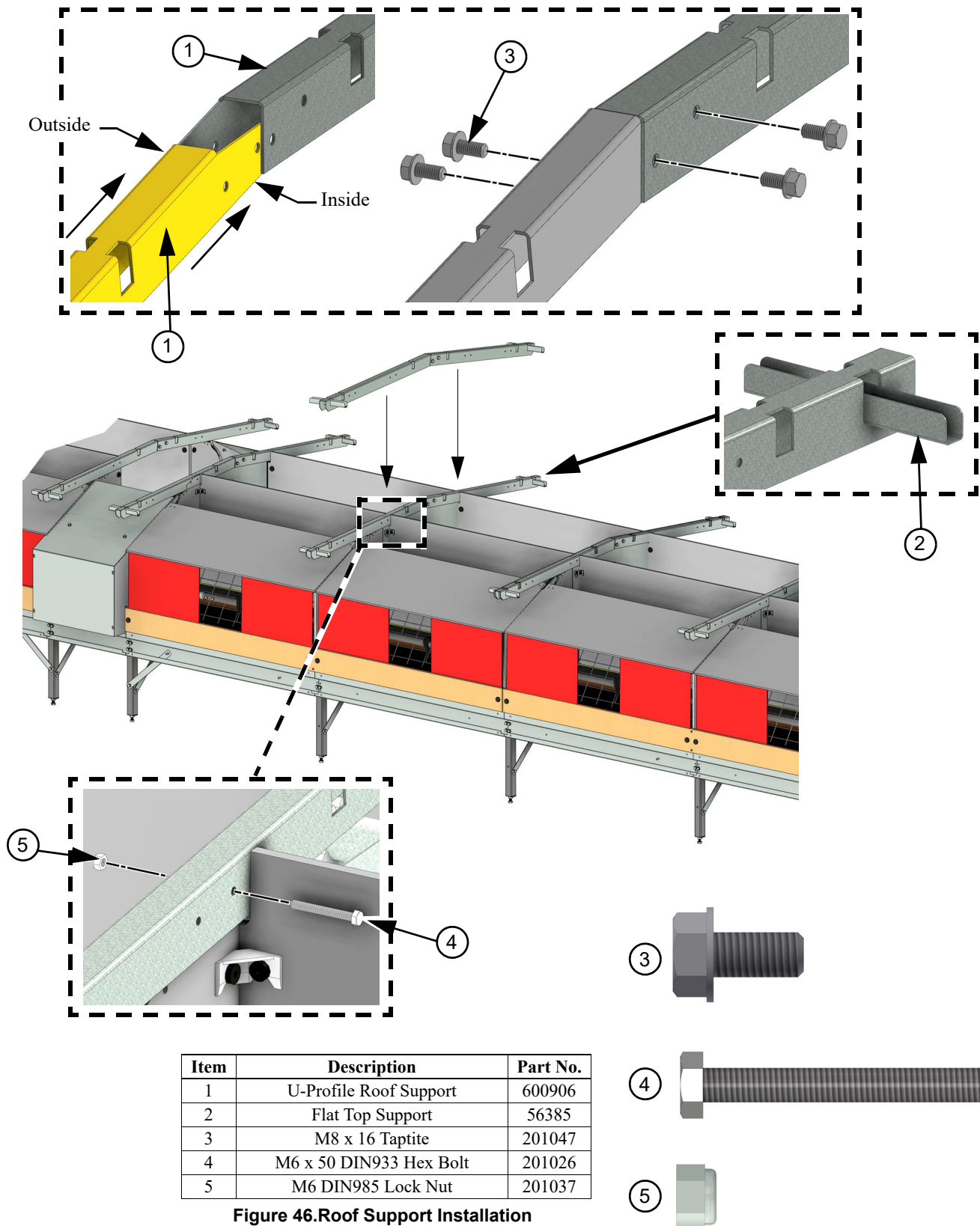
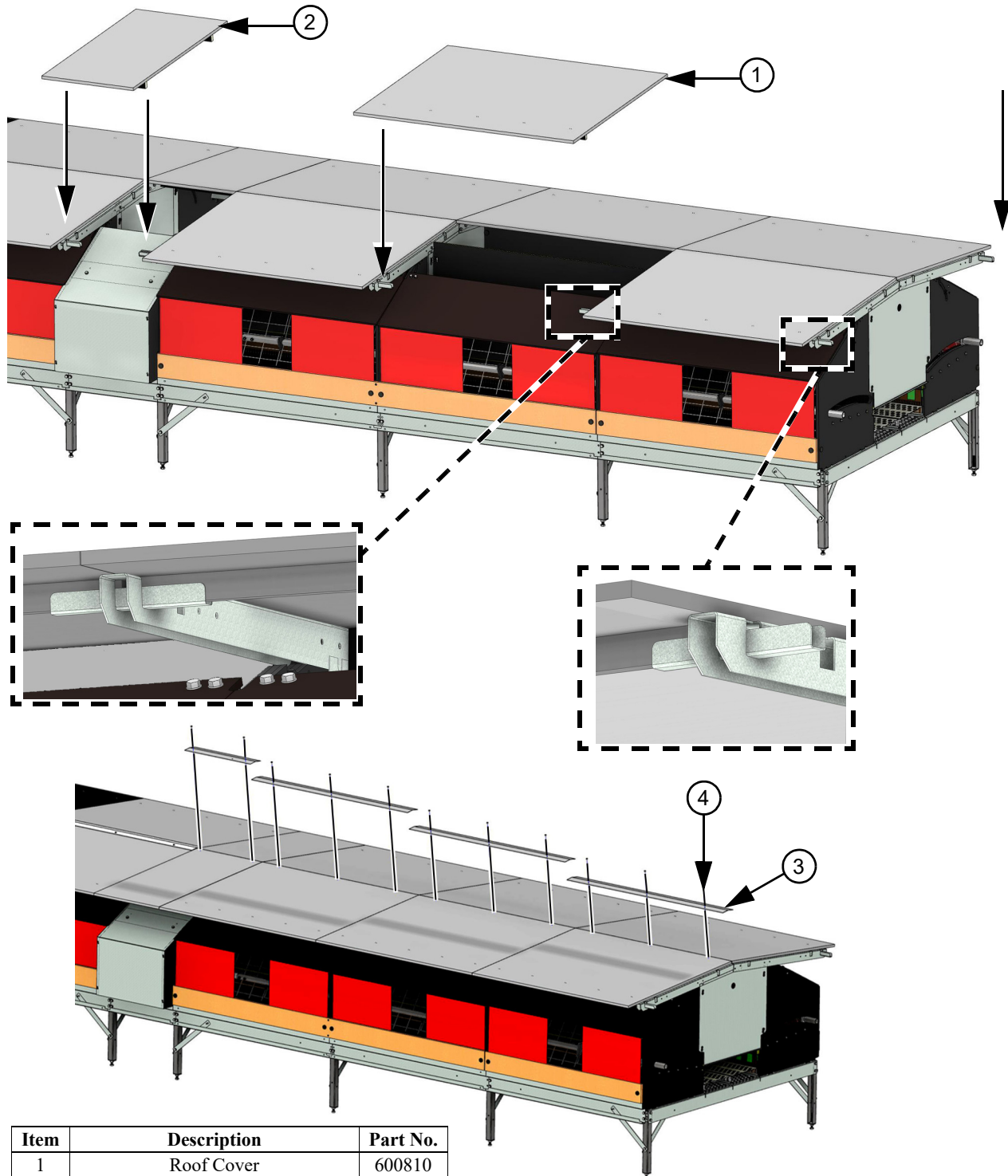


Figure 46. Roof Support Installation

Roof Panels and Top Caps

1. Install Roof Covers (Item 1, and 2) as shown.
2. Fasten Top Caps (Item 3) as shown. Cut to length where needed at Expulsion Units.



| Item | Description | Part No. |
|------|-----------------------------|----------|
| 1 | Roof Cover | 600810 |
| 2 | Roof Cover (Expulsion Unit) | 600843 |
| 3 | Top Caps | 56467 |
| 4 | #10-16 x .5 SS Screw | 38613 |

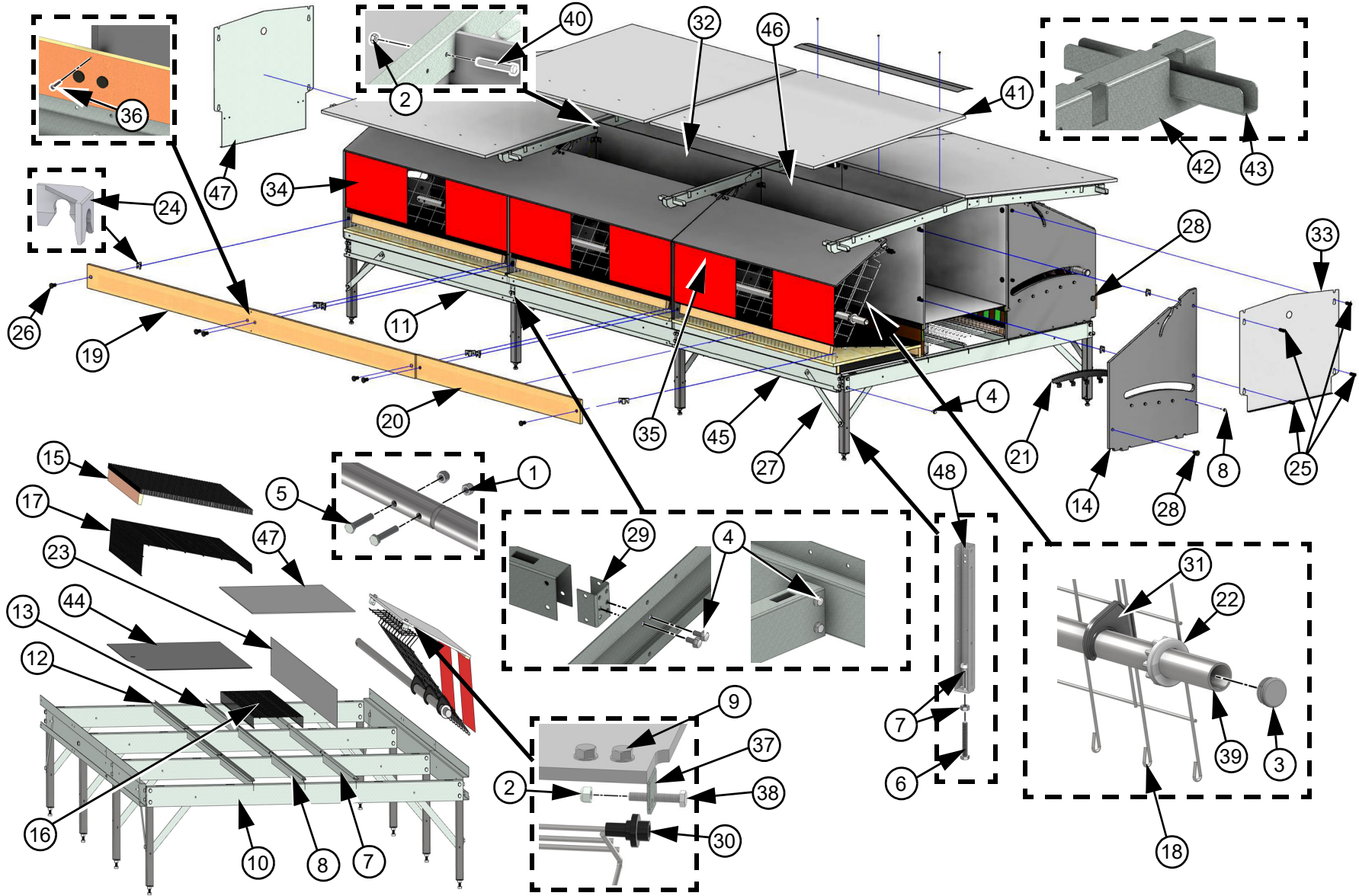
Figure 47. Roof Panels Top Caps Installation

Valego® RDE 58 Nest Control (601150)

1. See the installation manual included with the 601150 Control for Installation and operation instructions.

Parts Numbers

Standard Nest Section Parts

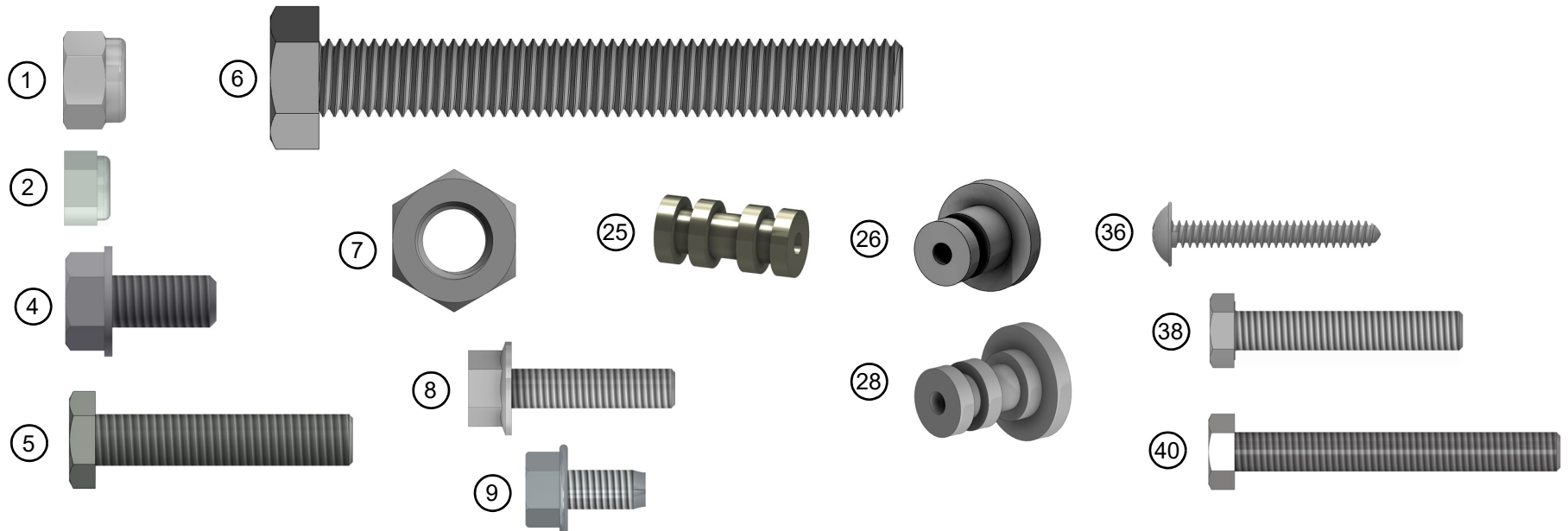


Part Numbers

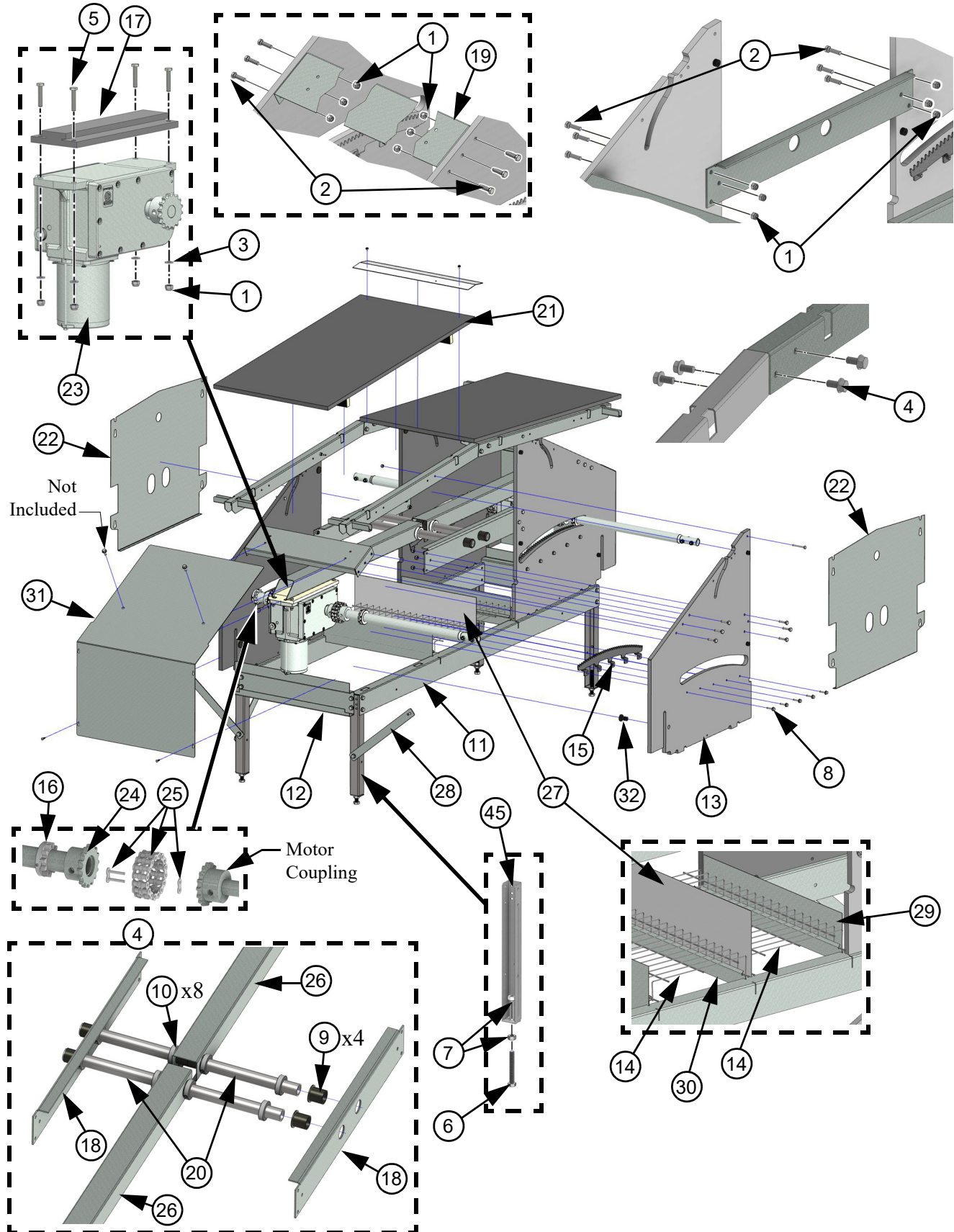
| Item | Description | Part Number |
|------|----------------------------|-------------|
| 1 | M8 DIN985 Lock Nut | 201003 |
| 2 | M6 DIN985 Lock Nut | 201037 |
| 3 | Expulsion Shaft Cap | 201038 |
| 4 | M8 x 16 DIN7500 Taptite | 201047 |
| 5 | M8 X 40 DIN933 Hex Bolt | 201053 |
| 6 | M12 x 90 SS DIN933 Bolt | 201054 |
| 7 | M12 SS DIN934 Nut | 201055 |
| 8 | M6 x 25 DIN7500-D | 201067 |
| 9 | M6 x 12 Taptite | 56535 |
| 10 | RDE-58 Cross Carriage | 600236 |
| 11 | Side Carriage (2400mm) | 600262 |
| 12 | Side Separation (2400mm) | 600266 |
| 13 | Middle Separation (2400mm) | 600268 |
| 14 | Side Panel | 600334 |
| 15 | Nest Pad with Slat | 600373 |
| 16 | Egg Belt Support | 600410 |
| 17 | Wire Mesh Nest Floor | 600423 |

| Item | Description | Part Number |
|------|------------------------------------|-------------|
| 18 | Expeller Panel | 600424 |
| 19 | Entrance Board (2400mm) | 600559 |
| 20 | Entrance Board (1200mm) | 600570 |
| 21 | Toothed Rack Plate | 600606 |
| 22 | Single Sided Toothed Wheel | 600622 |
| 23 | Egg Belt Divider | 600652 |
| 24 | Corner Plastic Connector | 600730 |
| 25 | 15mm Connecting Pin | 600732 |
| 26 | 9mm End Pin | 600733 |
| 27 | Strut Strip | 600734 |
| 28 | 15mm End Pin | 600737 |
| 29 | Cross Carriage Bracket | 600739 |
| 30 | Expulsion Panel Lock Bushing | 600789 |
| 31 | Expulsion Panel Clamp | 600795 |
| 32 | Back Panel Assembly (Full Section) | 600907 |
| 33 | Nest Closure Return | 600924 |
| 34 | Roof Panel Assembly | 600946 |

| Item | Description | Part Number |
|------|------------------------------------|---------------------------------|
| 35 | Half Section Roof Panel Assembly | 600950 |
| 36 | M4.2 x 32 Screw | 201143 |
| 37 | Roof Hinge | 201168 |
| 38 | M6 x 35 DIN 931 Hex Bolt | 201179 |
| 39 | Expulsion Shaft | 208050 |
| 40 | M6 x 50 DIN933 Hex Bolt | 201026 |
| 41 | Roof Cover | 600810 |
| 42 | U-Profile Roof Support | 600906 |
| 43 | Flat Top Support | 56385 |
| 44 | Draft Board | 600677 |
| 45 | Side Carriage (1200mm) | 600263 |
| 46 | Back Panel Assembly (Half Section) | 600918 |
| 47 | Egg Belt Cover Plate | 600655 |
| 48 | Valego 58 SS Leg | See Figure 4 (on page 6) |



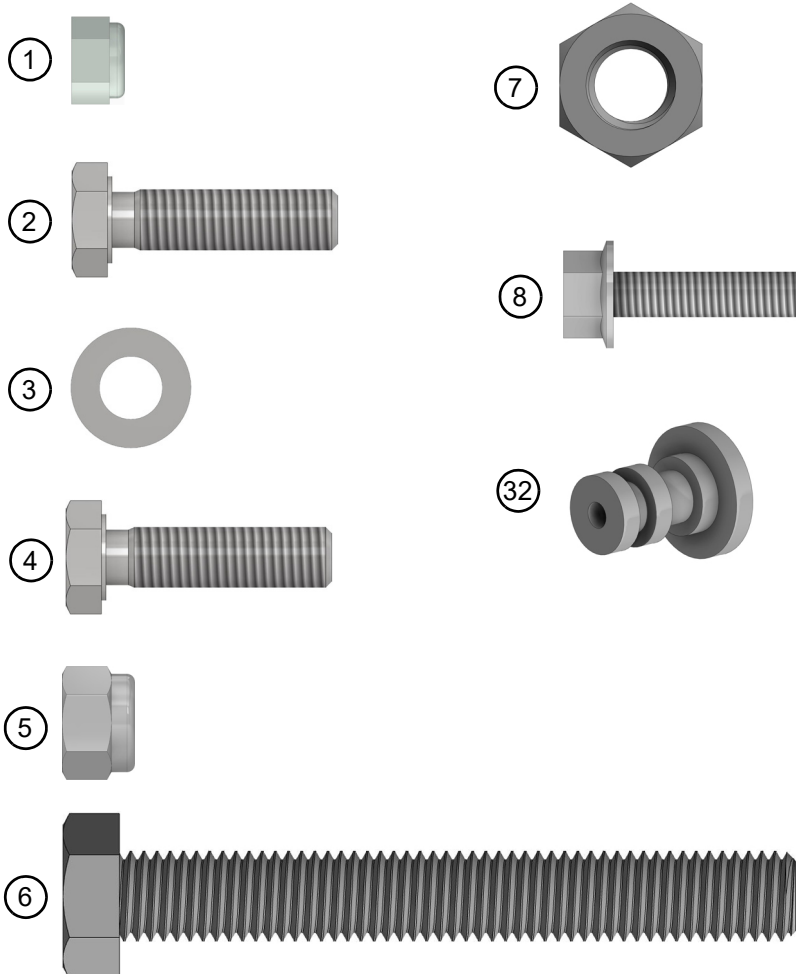
Expulsion Unit



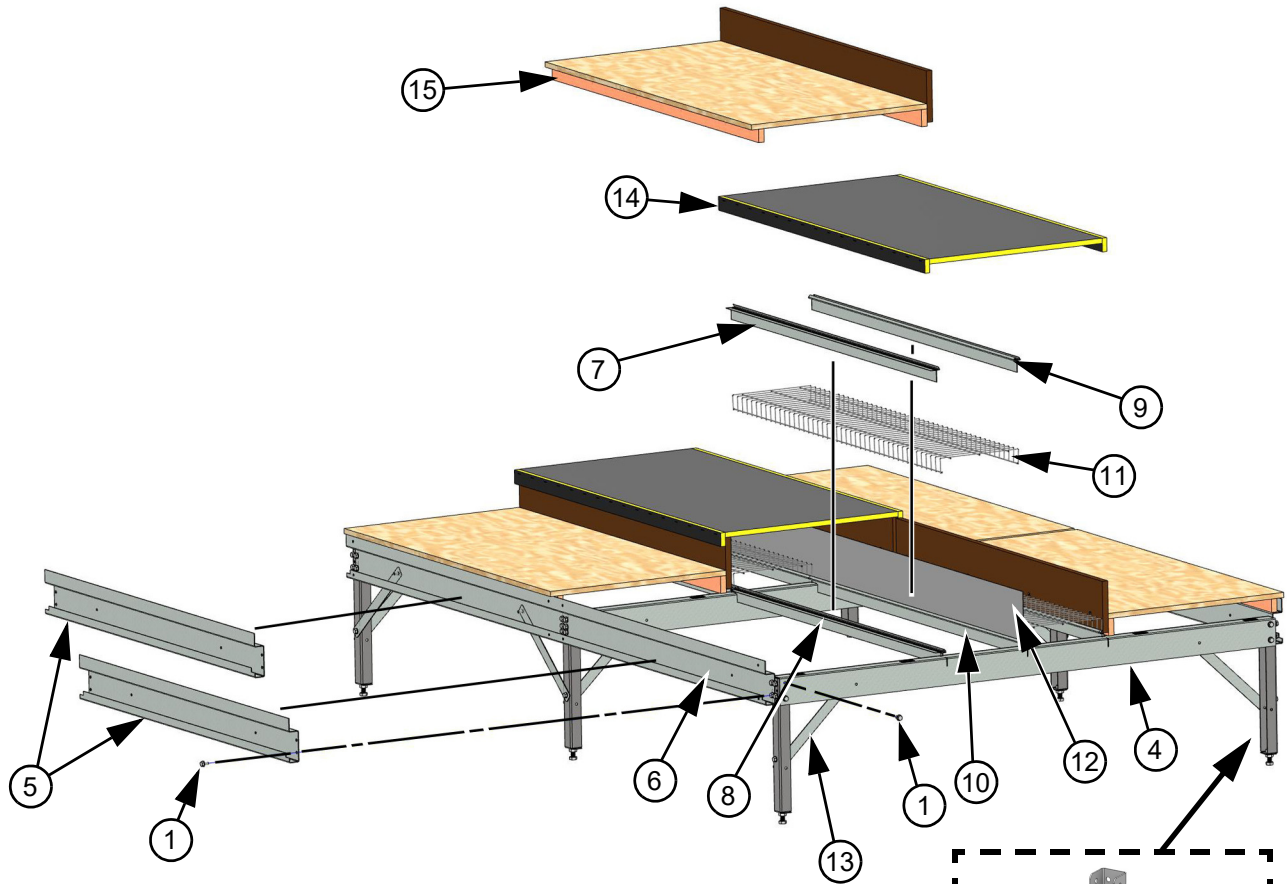
Part Numbers

| Item | Description | Part Number |
|------|------------------------------|-------------|
| 1 | M8 DIN985 Lock Nut | 201003 |
| 2 | M8 x 30 DIN933 Bolt | 201007 |
| 3 | M8 DIN125A Washer | 201013 |
| 4 | M8 x 16 DIN7500 Taprite | 201047 |
| 5 | M8 X 40 DIN933 Hex Bolt | 201053 |
| 6 | M12 x 90 SS DIN933 Bolt | 201054 |
| 7 | M12 SS DIN934 Nut | 201055 |
| 8 | M6 x 25 DIN7500-D | 201067 |
| 9 | Flanged Bearing Sleeve | 201139 |
| 10 | 32MM Dia. DIN705A Set Collar | 201140 |
| 11 | RDE-58 Cross Carriage | 600236 |
| 12 | Side Carriage (500mm) | 600265 |
| 13 | Expeller Side Panel | 600337 |
| 14 | Egg Belt Support | 600410 |
| 15 | Toothed Rack Plate | 600606 |
| 16 | Single Sided Toothed Wheel | 600622 |
| 17 | Motor Mounting Plate | 600631 |
| 18 | Expulsion Cross Frame Plate | 600632 |

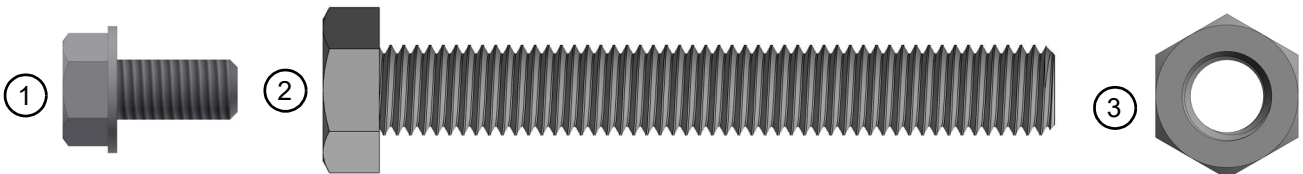
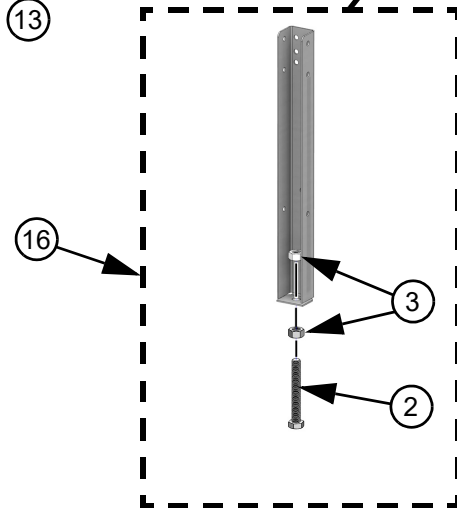
| Item | Description | Part Number |
|------------|--------------------------------|-------------|
| 19 | Expulsion Connection Plate | 600637 |
| 20 | Mounting Profile Expeller Pipe | 600638 |
| 21 | Roof Cover (Expulsion Unit) | 600843 |
| 22 | Expulsion Unit Closure | 600925 |
| 23 | 250 NM Motor | 603119 |
| 24 | Expulsion Shaft Coupling | 603112 |
| 25 | Chain & Shackle Duplex | 603113 |
| 26 | Expeller Mounting Profile | 600646 |
| 27 | Egg Belt Divider | 600652 |
| 28 | Strut Strip | 600734 |
| 29 | Side Separation (500mm) | 600276 |
| 30 | Middle Separation (500mm) | 600277 |
| 31 | Cover | 56472 |
| 32 | 15mm End Pin | 600737 |
| 33* | 230V, 1PH Expulsion Control | 601150 |
| *Not Shown | | |



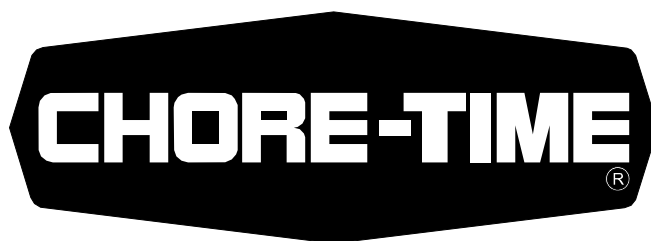
Walkover (Full and Half Section)



| Item | Description | Full Section | Half Section |
|------|----------------------------|-----------------------------|-----------------------------|
| | | Part Number | |
| 1 | M8 x 16 Taptite | 201047 | 201047 |
| 2 | M12 x 90 SS DIN933 Bolt | 201054 | 201054 |
| 3 | M12 SS DIN934 Nut | 201055 | 201055 |
| 4 | RDE-58 Cross Carriage | 600236 | 600236 |
| 5 | Side Carriage (1200mm) | -- | 600263 |
| 6 | Side Carriage (2400mm) | 600262 | -- |
| 7 | Side Separation (1200mm) | -- | 600267 |
| 8 | Side Separation (2400mm) | 600266 | -- |
| 9 | Middle Separation (1200mm) | -- | 600269 |
| 10 | Middle Separation (2400mm) | 600268 | -- |
| 11 | Egg Belt Support | 600410 | 600410 |
| 12 | Egg Belt Divider | 600652 | 600652 |
| 13 | Strut Strip | 600734 | 600734 |
| 14 | Walkover Egg Belt Cover | 600800 | 600800 |
| 15 | Walkover Frame Cover | 600812 | 600812 |
| 16 | Valego 58 Leg Assembly | See Figure 4 (on page 6) | See Figure 4 (on page 6) |



This page left blank intentionally.....



**MADE TO WORK.
BUILT TO LAST.®**

Revisions to this Manual

| Page No. | Description of Change | ECO |
|-----------------|------------------------------|------------|
| | New Manual | 35466 |

**For additional parts and information, contact your nearest Chore-Time distributor or representative.
Find your nearest distributor at: www.choretime.com/contacts**

CTB, Inc.
PO Box 2000
Milford, Indiana 46542-2000 USA
Phone (574) 658-4101 Fax (877) 730-8825
Email: choretime@choretime.com
Internet: www.choretime.com