



# Proximity Boot Switch

(Part No. 37553)

## Introduction:

The Proximity Boot Switch Assembly is designed to sense presents of feed in the Upper Boot and stop the fill system when feed is not present. This will prevent the fill system from running for long periods of time empty.

The Proximity Boot Switch may be installed in Straight-Out and 30° Upper Boots.

## Installation:

The arrows in Figure 1 show the recommended switch locations.

Figure 2 shows the recommended switch hole location in the side of a Straight-Out Upper Boot.

If the switch is to be mounted in a front or back of the Upper Boot, locate it similarly. The Switch must be located so that it can be mounted flat against the Upper Boot and secured with four screws.

Drill the 1-1/4" (3.18 cm) hole in the boot using a spade bit or hole saw (not supplied).

Position the Switch Assembly against the Upper Boot with the Proximity Sensor inserted in the hole.

Mark the four mount hole locations, remove the Switch Assembly, and drill the holes using a 7/32" (5.5 mm) bit (not supplied). See Figure 3.

Insert four 10-24 x 5/8" screws from inside the Upper Boot.

Caulk the face of the Plate Weldment lightly to protect the sensing end of the Proximity Switch from moisture. See Figure 4.

Position the Switch Assembly against the Upper Boot and secure in place, using the four screws and lock nuts provided. See Figure 5.

Note: Make sure the hardware is installed with the nuts to the **outside**.

Wire the Proximity Boot Switch as shown in Figure 6.

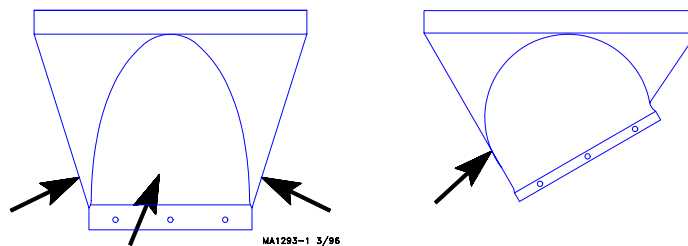


Figure 1. Recommended Switch Location Diagram

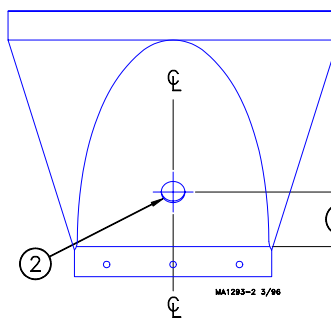


Figure 2. Switch Hole Location

Item	Description
1	3" (7.6 cm)
2	1-1/4" (3.18 cm) Hole

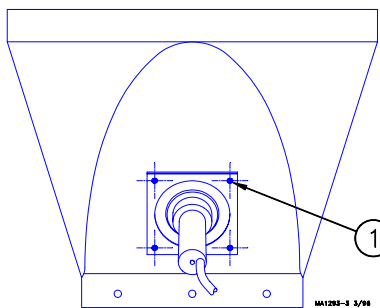


Figure 3. Mounting Hole Locations

Item	Description
1	Mark and drill four 7/32" (5.5 mm) Mounting Holes

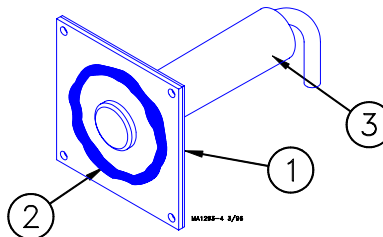


Figure 4. Caulking the Plate Weldment

Item	Description
1	Plate Weldment
2	Caulk (not supplied)
3	Proximity Switch

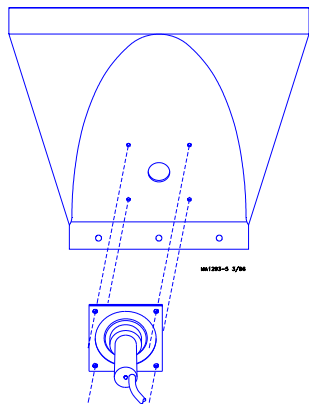


Figure 5. Installing the Switch Assembly

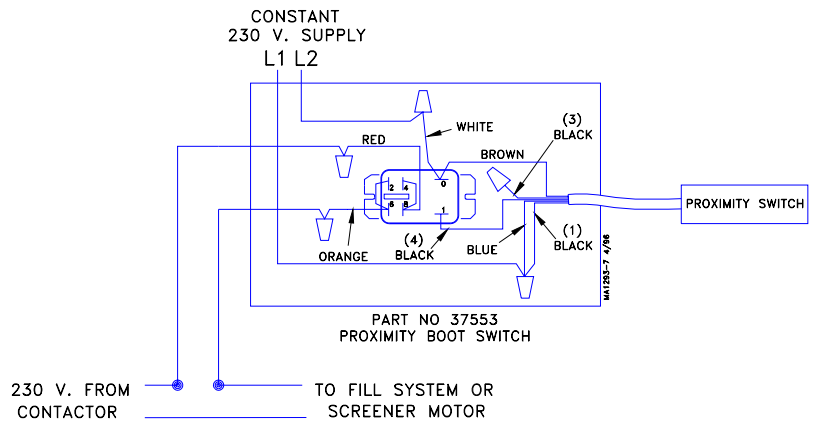


Figure 6. Wiring the Proximity Boot Switch

## Proximity Upper Boot Switch (Part No. 37553)

Item	Description	Part No.
1	Proximity Switch	34255
2	Proximity Plate Weldment	34758
3	Adjustable Clamp	3527
4	Plate Window	7842
5	Switch Box Cover	6776
6	Gasket	6777
7	Box Plate	24321
8	Relay	34654
9	Switch Box	24702
10	Relay Mount Plate	28701
11	1/2" Liquid Tight Connector	23779

**Contact your nearby CHORE-TIME distributor or representative for additional parts or information.  
CTB Inc.**

**P.O. Box 2000 • Milford, Indiana 46542-2000 • U.S.A.  
Phone (574) 658-4101 • Fax (877) 730-8825**

**E-mail: [poultry@choretime.com](mailto:poultry@choretime.com) • Internet: <http://www.choretime.com>**

Note: The original, authoritative version of this manual is the English version produced by CTB, Inc. or any of its subsidiaries or divisions, (hereafter collectively referred to as "CTB"). Subsequent changes to any manual made by any third party have not been reviewed nor authenticated by CTB. Such changes may include, but are not limited to, translation into languages other than English, and additions to or deletions from the original content. CTB disclaims responsibility for any and all damages, injuries, warranty claims and/or any other claims associated with such changes, inasmuch as such changes result in content that is different from the authoritative CTB-published English version of the manual. For current product installation and operation information, please contact the customer service and/or technical service departments of the appropriate CTB subsidiary or division. Should you observe any questionable content in any manual, please notify CTB immediately in writing to: CTB Legal Department, P.O. Box 2000, Milford, IN 46542-2000 USA.