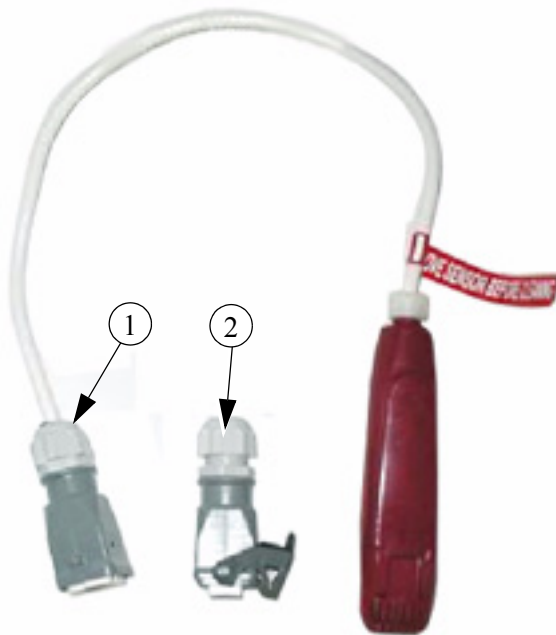




Chore-Tronics[®] 2 Relative Humidity Sensor Wiring (51663)

The Relative Humidity Sensor comes with a quick connector and three feet of three conductor cord pre-wired to the sensor and Part A of the quick connector (**Figure 1**). The quick connect allows you to remove the sensor from the house between grow outs.



| Item | Description |
|------|----------------------------|
| 1 | Quick Connect Part A |
| 2 | Quick Connect Part B |
| 3 | Electrical Cord (3' x .75) |
| 4 | RH Sensor |

Figure 1. Introduction

Chore-Tronics 2® 12 Volt Wiring

The Relative Humidity Sensor requires a three-conductor wire to connect the sensor to the Chore-Tronics 2 control. The sensor can be wired to any analog in terminal on the I/O board. The sensor can be supplied by 12 or 24 Vdc. (See Figure 2)

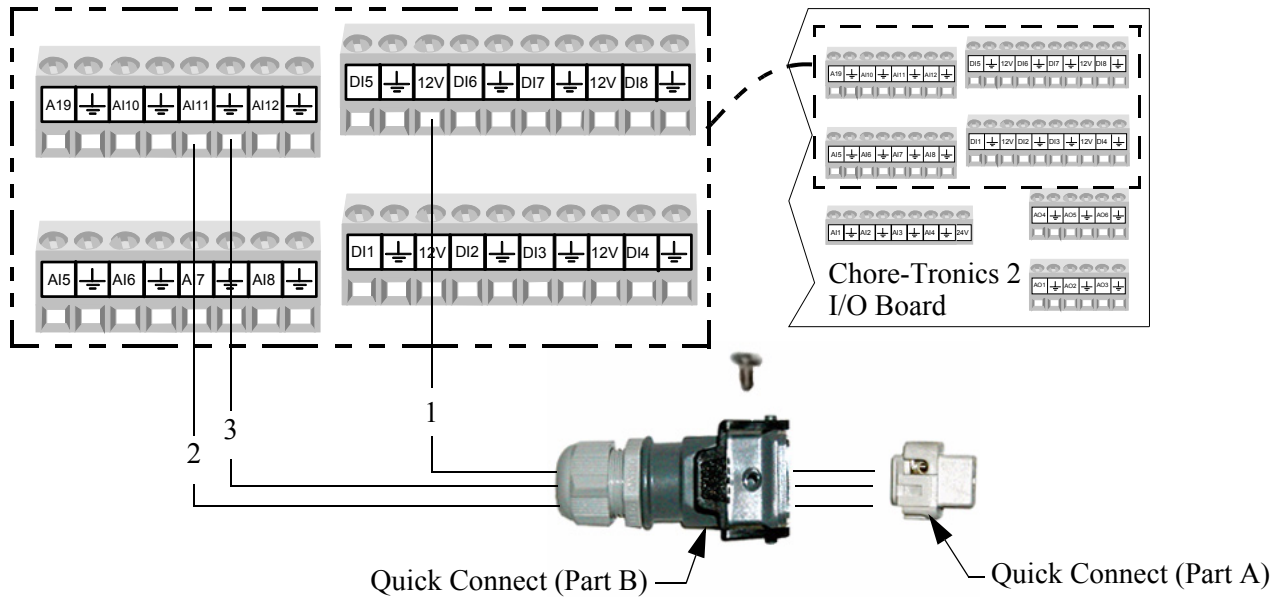


Figure 2. 12 Volt Wiring

Chore-Tronics 2® 24 Volt Wiring

An AI terminal on the I/O board terminal block is wired to the #2 terminal on the relative humidity sensor quick connector Part B terminal block. The ground terminal next to the AI terminal is wired to the #3 and 12 or 24 Vdc is be wired to the #1 terminal. (See Figure 3)

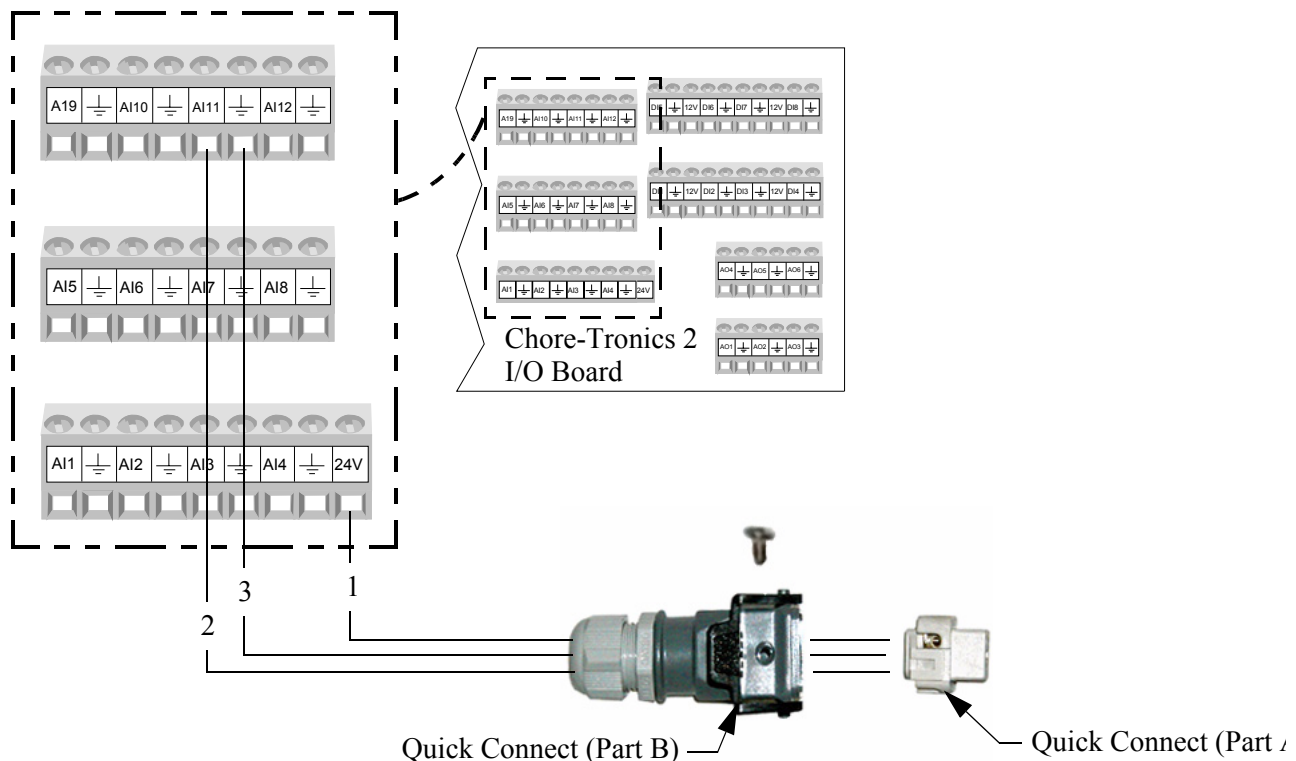


Figure 3. 24 Volt Wiring

Reinsert the terminal block into the Quick Connect part B housing and install the screw. (See Figure 4).

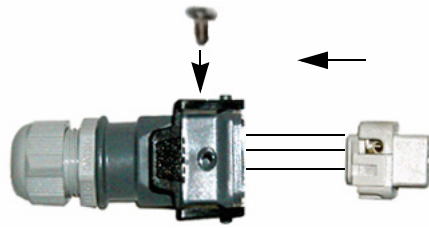


Figure 4. Inserting Terminal Block

Connect the two parts of the Quick Connect by sliding them into each other, and then close the latch. (See Figure 5)

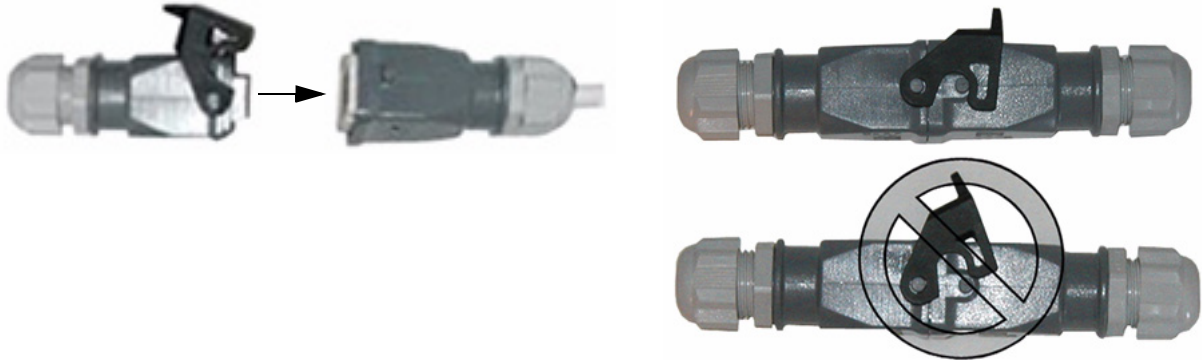


Figure 5. Latching Quick Connect

Connecting to Chore-Tronics® Models 16, 24, and 40

The Relative Humidity Sensor requires a three-conductor wire to connect the sensor to the Chore-Tronics Control. The Sensor wire is connected to the RH terminal on the I.O. board (See Figure 6).

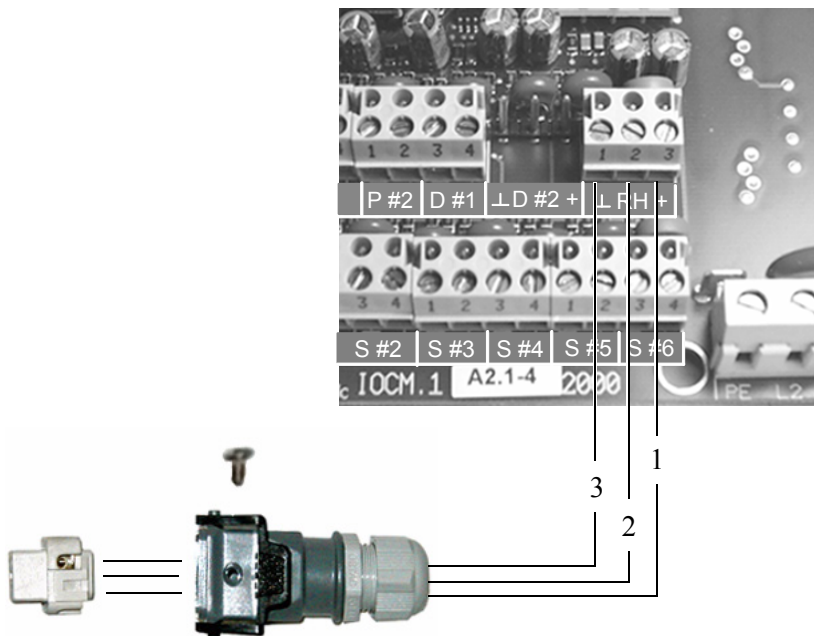


Figure 6. ChoreTronics® Models 16,24,40 Wiring

- Attention!
1. Do not get the Sensor Wet
 2. Remove the Sensor before Cleaning out the House

Caution, Warning and Danger Decals have been placed on the equipment to warn of potentially dangerous situations. Care should be taken to keep this information intact and easy to read at all times. Replace missing or damaged safety decals immediately.



DANGER: Electrical Hazard

Disconnect electrical power before inspecting or servicing equipment unless maintenance instructions specifically state otherwise. Ground all electrical equipment for safety. All electrical wiring must be done by a qualified electrician in accordance with local and national electric codes. Ground all non-current carrying metal parts to guard against electrical shock. With the exception of motor overload protection, electrical disconnects and over current protection are not supplied with the equipment.

CTB Inc.
P.O. Box 2000 • Milford, Indiana 46542-2000 • U.S.A.
Phone (574) 658-4101 • Fax (877) 730-8825
Email: ctb@ctbinc.com • Internet: <http://www.ctbinc.com>