

# CHORE-TIME® VALEGO™ Pagoda™ Nest RDE-49 for Layers

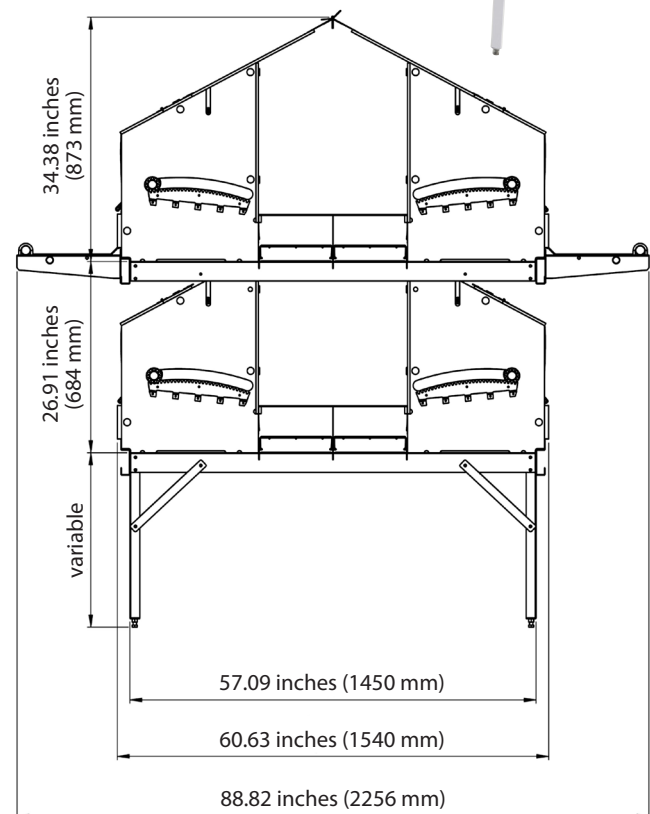


## Product Features

- Rack-Drive Expulsion (RDE) System
- Panel follows the slope of the nest pad
- Egg belt: perforated or woven
- Roof: single or multiple
- Nest section dimensions (per level)
  - RDE-49: 94.49 x 67.72 in. (2400 x 1720 mm)
- Nest space (per level)
  - RDE-49: 46.65 x 22.83 in., 4,260 in<sup>2</sup> (1185 x 580 mm, 2.75 m<sup>2</sup>)
- Rear rollaway: 2 x 9.84 in. (2 x 250 mm) egg belt



VALEGO™ RDE-49  
Pagoda™ Nest for Layers



Count on Chore-Time for  
experience, reliability,  
performance and confidence.



Let's grow together®

[www.choretime.com](http://www.choretime.com)

Chore-Time is a division of CTB, Inc.  
A Berkshire Hathaway Company

Find your authorized independent distributor at [choretime.com/distributor](http://choretime.com/distributor)

**Chore-Time**  
Milford, Indiana USA  
[info@choretime.com](mailto:info@choretime.com)

**Chore-Time Europe Sp. z o.o.**  
Strykowo, Poland  
[info@choretime.pl](mailto:info@choretime.pl)

**Chore-Time Europe B.V.**  
Panningen, Netherlands  
[info@choretime.nl](mailto:info@choretime.nl)

**Chore-Time Ede B.V.**  
Ede, Netherlands  
[info@choretime.nl](mailto:info@choretime.nl)