

# ENDURA®

## High-Performance Corrosion-Resistant 145-cm (57-Inch) Tunnel Fan



Let's grow together®



Count on Chore-Time for  
experience, reliability,  
performance and confidence.

Thanks to its high output *capacity*,  
impressive energy *efficiency*  
and *superior* materials,  
**Chore-Time's ENDURA® Fan**  
may just be the **best tunnel fan**  
**available on the market!**

# ENDURA® Tunnel Fans

## Fan Performance

- Chore-Time's Energy-Efficient, Standard-Mount ENDURA® Fan **could save 14% or more in energy costs** compared to Chore-Time's own great-performing 137-cm (54-inch) High-Capacity Fan, often while using the same number of fans!
- All ENDURA® Fan components were designed by Chore-Time to maximize overall fan efficiency.

## Shutter Performance

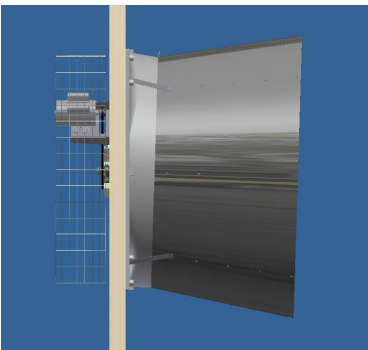
- Chore-Time's HYFLO® Shutters do not suffer the typical 12-15% loss of efficiency and air speed typical of dirty louver-style shutters, **so air speed is maintained to the end of the flock, when you need it most.**
- HYFLO® Shutters improve fan performance by minimizing obstructions during fan operation. They deliver up to 10% more air than traditional shutters with 75% less opportunity for air to leak through.



Cable attachment allows HYFLO® Doors to float left or right together for maximum efficiency.

## Exceptional Materials

- Durable long glass fiber composite shroud and HYFLO® Shutter Doors contain 35% fiberglass for strength and to limit expansion and contraction.
- Galvanized, powder-coated fan drive, support structures and flush-mount box. Optional stainless steel fan blade and shaft.
- Extensive durability testing under both extreme high and extreme low temperatures.



The ENDURA® Fan's slight downward tilt makes it self-draining.



(Patented with Additional Patents Pending)

Chore-Time's 145-cm (57-Inch) ENDURA® Fan with HYFLO® Shutter features an industry-leading combination of outstanding performance and strategic material selection.

## Adaptability

- Can be installed 152.4 cm (60 inches) on center over 143.5-cm (56.5-inch) framed openings.
- For retrofit, will fit over openings for many 121.9- through 137.2-cm (48- through 54-inch) fans.
- Black HDPE (high-density polyethylene) cone aids in light control.
- Capable of variable speed operation with the use of a variable frequency drive.

## Durability

- Automatic belt tensioner uses an idler arm and pulley to provide constant belt tension.
- Rugged air-handler bearings are shielded from dust and moisture. They are also self-aligning, prelubricated and include a zerk fitting.
- Aerodynamic three-wing, heavy-duty fan blade.

## Fan Selection Comparison

CHORE-TIME® Fans	132-cm (52-Inch) Fiberglass	137-cm (54-Inch) Galvanized	145-cm (57-Inch) Composite
CMH (CFM)	Good	Better	Best
CMH/Watt (CFM/Watt)	Good	Better	Best
Life Expectancy	Best	Good	Better
Price	Highest	Low	Higher



Let's grow together®

# ENDURA® Tunnel Fan Models



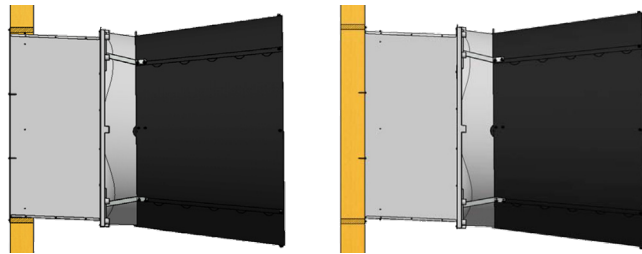
**Standard Mount**



**Flush Mount**

## Mounting Options

- The standard-mount model of Chore-Time's ENDURA® Fan offers the best performance and easiest installation.
- Chore-Time's flush-mount ENDURA® fan eliminates obstructions inside the poultry house.
- Two mounting options for the flush-mount model are shown at right – through the wall or over the wall.



*LEFT: Flush mount through the wall. RIGHT: Over the wall.*



*CHORE-TIME® Variable Frequency Drive*



## Variable Speed Option

*Available for Energy-Efficient Fan Models Only*

**Get Better Temperature Control and Energy Savings with Chore-Time's Variable Speed Fans**

Control Setting	Fan Performance at .10" Static Pressure	
67% (40 Hz)	21,700 CMH	46.6 CMH/Watt
	12,800 CFM	27.4 CFM/Watt
83% (50 Hz)	35,500 CMH	44.9 CMH/Watt
	20,900 CFM	26.4 CFM/Watt
100% (60 Hz)	44,900 CMH	37.4 CMH/Watt
	26,400 CFM	22.0 CFM/Watt

*Example features Chore-Time's 145-cm (57-Inch) ENDURA® Fan with standard mount and HYFLO® Shutter, Part No. 53464-42. Contact Chore-Time for performance data for additional fan models. Bess Lab Test No. 12620*

# ENDURA® Tunnel Fan Specifications

## Composite Shroud & Shutter Doors / HDPE Cone

Chore-Time recommends considering both capacity CMH (CFM) and performance CMH/Watt (CFM/Watt) when selecting a fan. Your best balance of energy savings and air speed may come from mixing high-capacity and energy-efficient fan models.

STANDARD MOUNT	Part No.	Static Pressure 25 Pa		Static Pressure 37.5 Pa		Air Flow Ratio	Bess Lab Test No.	230 V Power
		CMH	CMH/Watt	CMH	CMH/Watt			
METRIC	High-Capacity	53464-21*	51,600	34.7	48,200	30.7	0.80	12615
	Energy-Efficient	53464-22*	46,100	39.1	42,700	34.2	0.78	12614
	Minimum-Vent	53464-23	36,000	41.7	32,200	35.3	0.71	17224
	High-Capacity	53464-41*	51,100	35.6	47,200	30.8	0.79	12616
	Energy-Efficient	53464-42*	45,600	39.6	42,200	34.6	0.78	12619
	High-Capacity	53464-51*	50,100	35.3	46,200	30.8	0.78	12617
Energy-Efficient	53464-52*	45,100	38.9	41,600	34.1	0.77	12618	

FLUSH MOUNT	Part No.	Static Pressure 25 Pa		Static Pressure 37.5 Pa		Air Flow Ratio	Bess Lab Test No.	230 V Power
		CMH	CMH/Watt	CMH	CMH/Watt			
METRIC	High-Capacity	54659-21*	50,200	32.7	46,400	28.5	0.79	13592
	Energy-Efficient	54659-22*	44,900	36.8	41,200	32.0	0.77	13591
	High-Capacity	54659-41*	49,600	33.4	45,600	29.0	0.78	13566
	Energy-Efficient	54659-42*	44,700	37.6	41,000	32.7	0.77	13569
	High-Capacity	54659-51*	49,000	33.3	45,000	29.1	0.77	13567
	Energy-Efficient	54659-52*	44,200	37.3	40,300	32.1	0.76	13568

STANDARD MOUNT	Part No.	Static Pressure .10"		Static Pressure .15"		Air Flow Ratio	Bess Lab Test No.	230 V Power
		CFM	CFM/Watt	CFM	CFM/Watt			
U.S. MEASURE	High-Capacity	53464-21*	30,400	20.4	28,400	18.1	0.80	12615
	Energy-Efficient	53464-22*	27,100	23.0	25,100	20.1	0.78	12614
	Minimum-Vent	53464-23	21,200	24.6	18,900	20.8	0.71	17224
	High-Capacity	53464-41*	30,000	20.9	27,800	18.1	0.79	12616
	Energy-Efficient	53464-42*	26,900	23.3	24,800	20.4	0.78	12619
	High-Capacity	53464-51*	29,500	20.8	27,200	18.1	0.78	12617
	Energy-Efficient	53464-52*	26,500	22.9	24,500	20.1	0.77	12618

FLUSH MOUNT	Part No.	Static Pressure .10"		Static Pressure .15"		Air Flow Ratio	Bess Lab Test No.	230 V Power
		CFM	CFM/Watt	CFM	CFM/Watt			
U.S. MEASURE	High-Capacity	54659-21*	29,600	19.2	27,300	16.8	0.79	13592
	Energy-Efficient	54659-22*	26,400	21.7	24,300	18.8	0.77	13591
	High-Capacity	54659-41*	29,200	19.6	26,800	17.1	0.78	13566
	Energy-Efficient	54659-42*	26,300	22.2	24,200	19.2	0.77	13569
	High-Capacity	54659-51*	28,800	19.6	26,500	17.1	0.77	13567
	Energy-Efficient	54659-52*	26,000	22.0	23,700	18.9	0.76	13568

\*Add an "S" to the part number for a stainless steel blade and shaft.



Let's grow together®

[www.choretime.com](http://www.choretime.com)

Chore-Time is a division of CTB, Inc.  
A Berkshire Hathaway Company

Find your authorized independent distributor at [choretime.com/distributor](http://choretime.com/distributor)

**Chore-Time**  
Milford, Indiana USA  
[info@choretime.com](mailto:info@choretime.com)

**Chore-Time Europe Sp. z o.o.**  
Strykowo, Poland  
[info@choretime.pl](mailto:info@choretime.pl)

**Chore-Time Europe B.V.**  
Panningen, Netherlands  
[info@choretime.nl](mailto:info@choretime.nl)

**Volito B.V.**  
Veenendaal, Netherlands  
[ctgcs@choretime.com](mailto:ctgcs@choretime.com)